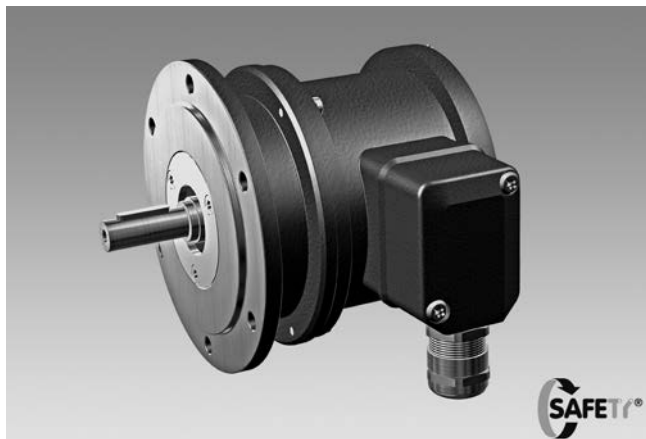


Speed switches

Electronic speed switch

1 adjustable switching speed

ES 90



ES 90

Features

- Electronic speed monitoring
- Circuit breaker with up to three selectable threshold speeds
- Relay output with isolated changeover contact

Optional

- As integrated speed switch type ESL for combination with encoders and/or tachogenerators

Technical data - electrical ratings

Switching accuracy	±4 % (≤1500 rpm) ±2 % (>1500 rpm)
Switching hysteresis	=30 % of switching speed
Switching outputs	1 output, speed control
Output switching capacity	≤6 A / 250 VAC ≤1 A / 48 VDC
Minimum switching current	100 mA
Switching delay time	≤40 ms
Interference immunity	EN 61000-6-2
Emitted interference	EN 61000-6-3
Approval	CE

Technical data - mechanical design

Size (flange)	ø115 mm
Shaft type	ø11 mm solid shaft
Flange	EURO flange B10
Protection DIN EN 60529	IP 55
Speed (n)	≤6000 rpm
Range of switching speed (ns)	650...6000 rpm
Operating torque	≤2 Ncm
Rotor moment of inertia	0.125 kgcm ²
Admitted shaft load	≤150 N axial ≤250 N radial
Operating temperature	-20...+85 °C
Weight approx.	1.3 kg
Connection	Terminal box
Materials	Housing: aluminium die-cast Shaft: stainless steel

Speed switches

Electronic speed switch

1 adjustable switching speed

ES 90

Part number

ES90

Switching speed (ns)

... 650...6000 rpm

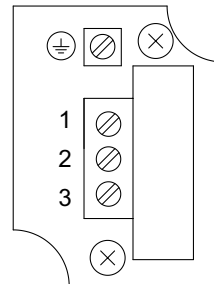
Accessories

Mounting accessories

K 35	Spring washer coupling for solid shaft $\varnothing 6...12$ mm
K 50	Spring washer coupling for solid shaft $\varnothing 11...16$ mm
K 60	Spring washer coupling for solid shaft $\varnothing 11...22$ mm

Terminal assignment

View A - Connecting terminal



≤ 6 A / 250 VAC
 ≤ 1 A / 48 VDC

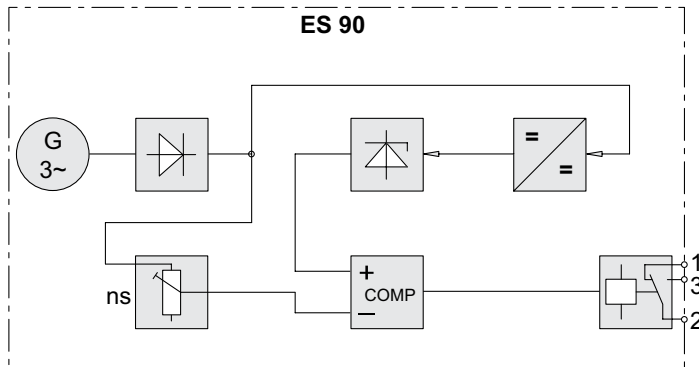
Speed switches

Electronic speed switch

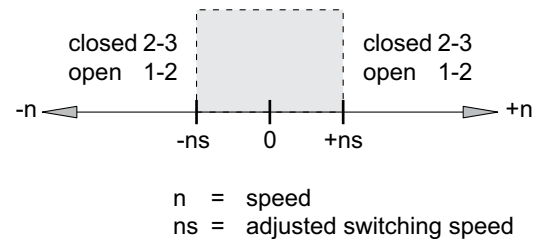
1 adjustable switching speed

ES 90

Block circuit diagram



Switching characteristics



Dimensions

