



features

- flashable LED dark field illumination
- white
- diffuse
- 24 V
- cable length: 0,3 m
- diameter: 100 mm
- connector and pin assignment suitable for VeriSens® XC series

general data

manufacturer Falcon Illumination MV GmbH & Co.KG

illumination data

color white

illumination characteristic diffuse

illumination mode flashable

mechanical data

construction design dark field illumination

dimensions Ø 100 mm

dimensions Ø external 94,6 mm

luminous area Ø internal 73 mm

material of cover glass acrylic

cable length [m] 0,3 m

weight ≤ 190 g

material aluminum

electrical data

number of poles 4

illumination connector M8 connector

current ≤ 0,34 A

current at flash mode ≤ 0,85 A

voltage at flash mode ≤ 48 V

duty cycle 0-10%

maximum flash duration 10 ms

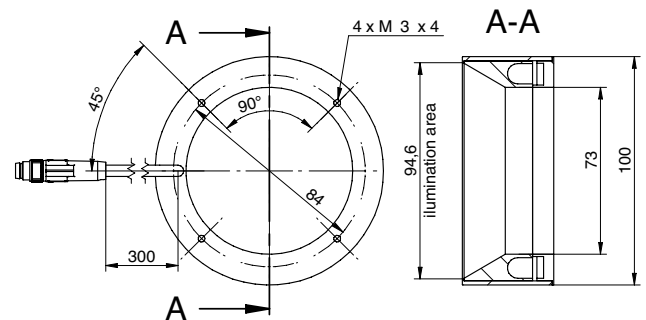
environmental conditions

operating temperature 0 ... +35 °C

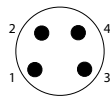
humidity 20% - 85%

protection class IP 50

dimension drawing



pin assignment



M8 signal

1: LED +24V (pulsing 24-48 V)

2: N.C.

3: LED - (GND)

4: N.C.