

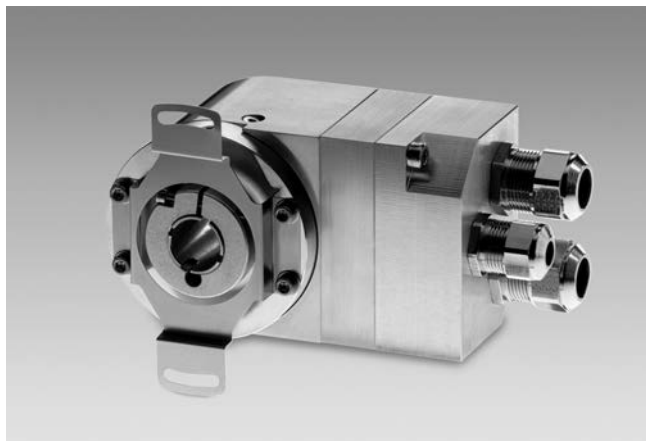
Absolute encoders - modular bus covers

Through hollow shaft up to $\varnothing 14$ mm

Optical multiturn encoders 13 bit ST / 16 bit MT

CANopen® / DeviceNet / EtherNet-IP / Profibus / PROFINET

GOMMH



GOMMH with modular bus cover

Technical data - electrical ratings

Voltage supply	10...30 VDC
Reverse polarity protection	Yes
Consumption w/o load	≤ 100 mA (24 VDC)
Initializing time typ.	250 ms after power on
Interfaces	CANopen®, DeviceNet, EtherNet/IP, Profibus-DPV0, PROFINET
Function	Multiturn
Device adress	Rotary switches in bus cover or via interface
Steps per revolution	≤ 8192 / 13 bit
Number of revolutions	≤ 65536 / 16 bit
Absolute accuracy	$\pm 0.025^\circ$
Sensing method	Optical
Code	Binary
Code sequence	CW/CCW programmable
Interference immunity	DIN EN 61000-6-2
Emitted interference	DIN EN 61000-6-4
Programmable parameters	Steps per revolution Number of revolutions Preset Scaling Rotating direction
Diagnostic functions	Position or parameter error Multiturn sensing
Status indicator	DUO-LED integrated in bus cover
Approval	UL approval / E63076

Features

- Encoder multiturn / bus cover
- Optical sensing method
- Resolution: singleturn 13 bit, multiturn 16 bit
- Through hollow shaft up to $\varnothing 14$ mm
- CANopen®/DeviceNet/EtherNet-IP/Profibus/PROFINET
- High reliability by self-diagnostics
- Encoder for parameterization
- Maximum resistant against magnetic fields

Optional

- Stainless steel design with protection IP 69K

Technical data - mechanical design

Size (flange)	$\varnothing 58$ mm
Shaft type	$\varnothing 10...14$ mm (through hollow shaft)
Protection DIN EN 60529	IP 54, IP 65 (optional)
Operating speed	≤ 6000 rpm (mechanical) ≤ 6000 rpm (electric)
Starting acceleration	≤ 1000 U/s ²
Starting torque	≤ 0.04 Nm (+25 °C, IP 54)
Rotor moment of inertia	20 gcm ²
Materials	Housing: aluminium Flange: aluminium Bus cover: aluminium
Operating temperature	-25...+85 °C -40...+85 °C (optional)
Relative humidity	95 % non-condensing
Resistance	DIN EN 60068-2-6 Vibration 10 g, 16-2000 Hz DIN EN 60068-2-27 Shock 200 g, 6 ms
Weight approx.	600 g
Connection	Bus cover

Absolute encoders - modular bus covers

Through hollow shaft up to $\varnothing 14$ mm
 Optical multiturn encoders 13 bit ST / 16 bit MT
 CANopen® / DeviceNet / EtherNet-IP / Profibus / PROFINET

GOMMH

Part number

GOMMH. 20

		Interface
	3EA2	PROFINET / connector M12
	3P32	Profibus-DPV0 / cable gland
	3PA2	Profibus-DPV0 / connector M12
	5P32	CANopen® / cable gland
	8EA2	EtherNet/IP / connector M12
	8P22	DeviceNet / cable gland

		Through hollow shaft / clamping ring
8	$\varnothing 10$ mm,	without pin / on flange
9	$\varnothing 10$ mm,	pin 15 mm / on flange
0	$\varnothing 12$ mm,	without pin / on flange
1	$\varnothing 12$ mm,	pin 15 mm / on flange
4	$\varnothing 14$ mm,	without pin / on flange
5	$\varnothing 14$ mm,	pin 15 mm / on flange
L	$\varnothing 12$ mm,	without pin / on housing
A	$\varnothing 12$ mm,	pin 23.5 mm / on housing
M	$\varnothing 14$ mm,	without pin / on housing
E	$\varnothing 14$ mm,	pin 23.5 mm / on housing

CD with file descriptions is not included in the delivery.
 You may order them on CD as accessory under part number Z 150.022.

Accessories

Connectors and cables

11034355 Cable connector M12, 4-pin, on both sides, D-coded, 5 m cable (Z 185.E05)

Mounting accessories

10139345 Torque support by rubber buffer for encoders with 15 mm pin (Z 119.041)

10147837 Spring coupling for one-side attachment, length 35 mm (Z 119.050)

11034106 Spring coupling for motor's fan guard (Z 119.053)

10165157 Spring coupling for encoders with $\varnothing 58$ mm housing, hole distance 73 mm (Z 119.072)

11034121 Spring coupling for encoders with $\varnothing 58$ mm housing, hole distance 68 mm (Z 119.073)

11034123 Spring coupling for one-side attachment, length 115 mm (Z 119.076)

11003562 Spring coupling for encoders with $\varnothing 58$ mm housing, hole distance 63 mm (Z 119.082)

11098229 Clamping ring set 16/30x6 - stainless steel (Z 119.092)

Programming accessories

10146710 CD with describing files & manuals (Z 150.022)

Absolute encoders - modular bus covers

Through hollow shaft up to $\varnothing 14$ mm

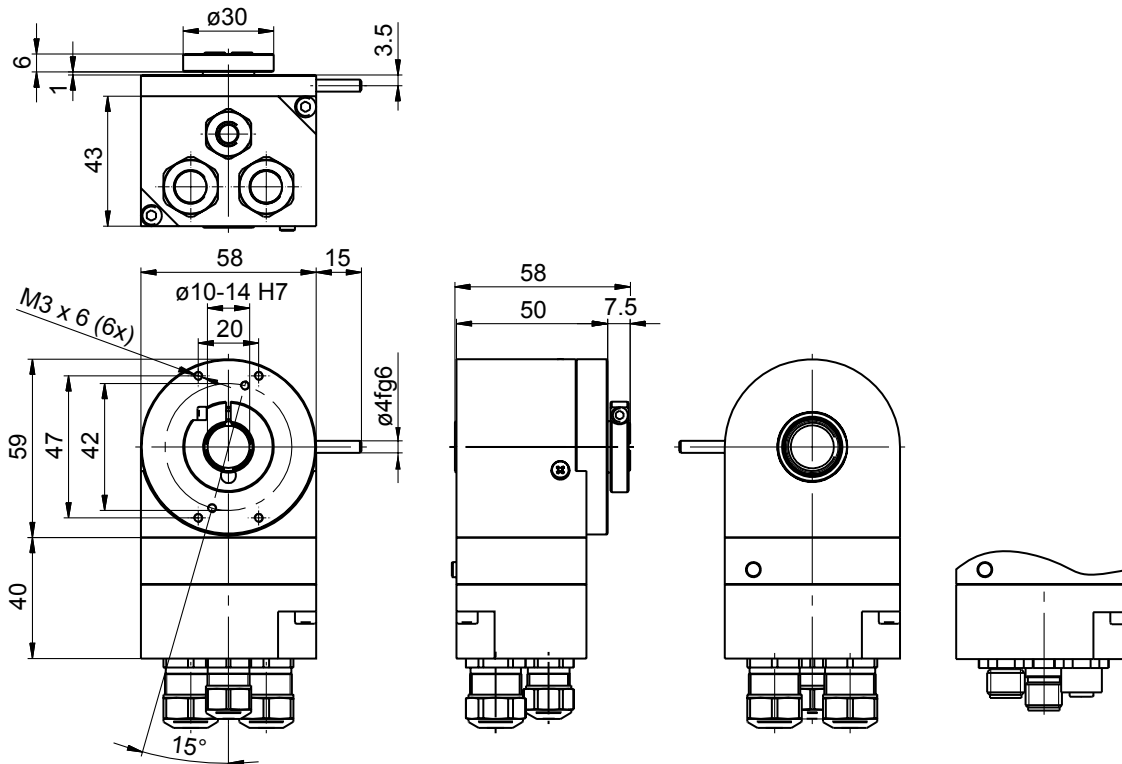
Optical multiturn encoders 13 bit ST / 16 bit MT

CANopen® / DeviceNet / EtherNet-IP / Profibus / PROFINET

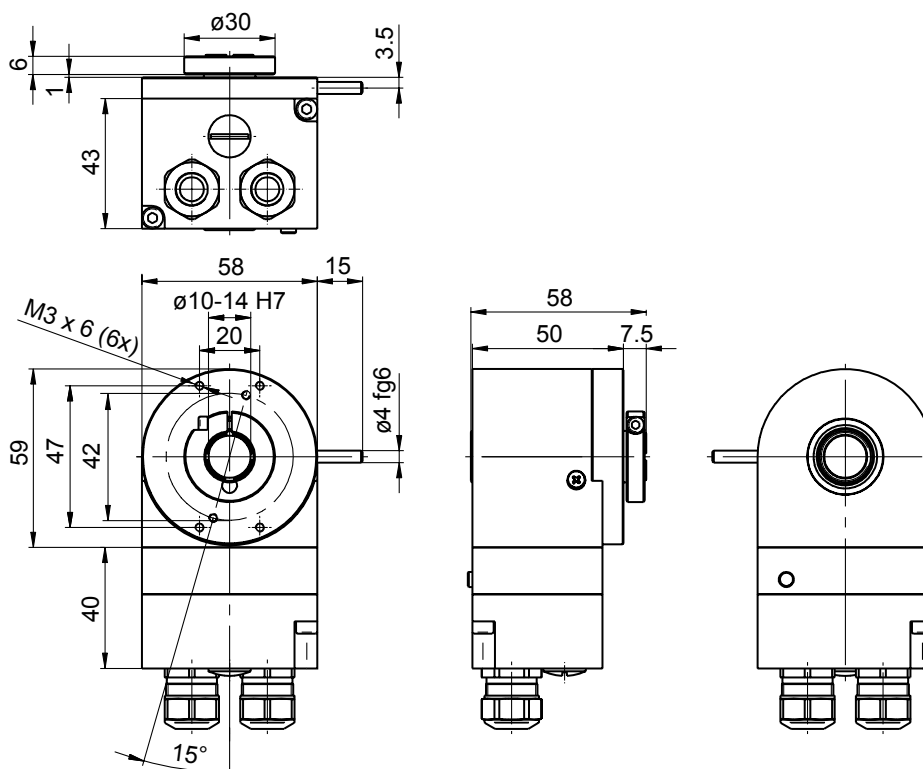
G0MMH

Dimensions

G0MMH - clamping ring on flange / CANopen®, Profibus



G0MMH - clamping ring on flange / DeviceNet



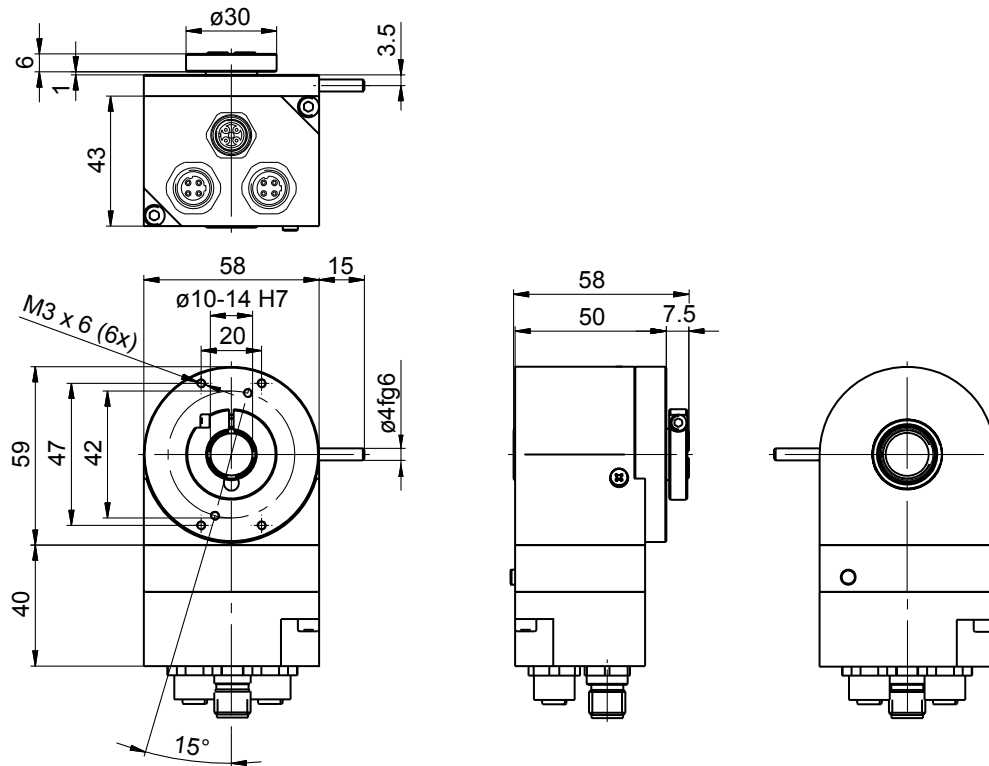
Absolute encoders - modular bus covers

Through hollow shaft up to $\varnothing 14$ mm
 Optical multiturn encoders 13 bit ST / 16 bit MT
 CANopen® / DeviceNet / EtherNet-IP / Profibus / PROFINET

G0MMH

Dimensions

G0MMH - clamping ring on flange / EtherNet-IP, PROFINET



G0MMH - clamping ring on housing

