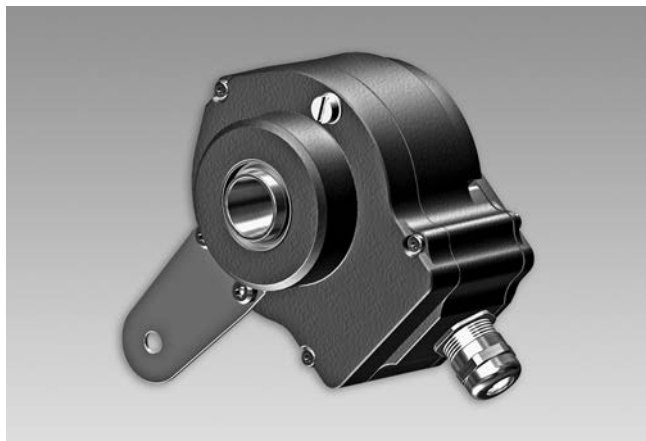


Sine encoders

Cone shaft $\varnothing 17$ mm (1:10)

720...5000 sinewave cycles per turn

HOGS 75 KC



HOGS 75 KC

Technical data - electrical ratings

Voltage supply	5 VDC ± 10 % 9...26 VDC
Consumption w/o load	≤ 90 mA
Sinewave cycles per revolution	720...5000
Reference signal	Zero pulse, width 90°
Sensing method	Optical
Output signals	K1, K2, K0 + inverted
Output stages	SinCos 1 Vpp
Difference of SinCos amplitude	≤ 20 mV
Harmonics typ.	-50 dB
DC offset	≤ 20 mV
Bandwidth	200 kHz (-3 dB)
Interference immunity	EN 61000-6-2
Emitted interference	EN 61000-6-3
Approvals	CE, UL approval / E256710

Features

- Compact, robust aluminium housing
- Inside connecting terminals
- SinCos output-signals 1 Vpp
- Low harmonic content (patented LowHarmonics technology)
- Especially high resistance to vibrations
- Hybrid bearing for extended service life

Optional

- Cable output

Technical data - mechanical design

Size (flange)	$\varnothing 75$ mm
Shaft type	$\varnothing 17$ mm (cone shaft 1:10)
Admitted shaft load	≤ 170 N axial ≤ 250 N radial
Protection DIN EN 60529	IP 56
Operating speed	≤ 12000 rpm (mechanical)
Starting torque	≤ 4 Ncm
Rotor moment of inertia	180 gcm ²
Materials	Housing: aluminium Shaft: stainless steel
Operating temperature	-20...+70 °C
Resistance	IEC 60068-2-6 Vibration 48 g, 10-2000 Hz IEC 60068-2-27 Shock 200 g, 6 ms
Explosion protection	II 3 G Ex nA IIC T4 Gc (gas) II 3 D Ex tc IIIC T135°C Dc (dust)
Connection	Connecting terminal
Weight approx.	860 g

Subject to modification in technic and design. Errors and omissions excepted.

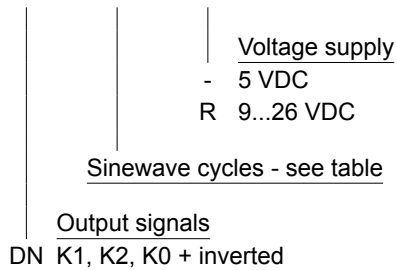
Sine encoders

Cone shaft $\varnothing 17$ mm (1:10)
720...5000 sinewave cycles per turn

HOGS 75 KC

Part number

HOGS75KC **DN** | | | | **17K**



Sinewave cycles

720 | 1024 | 2048 | 5000

Accessories

Connectors and cables

HEK 8 Sensor cable for encoders

Mounting accessories

11043628 Torque arm M6, length 67-70 mm

11004078 Torque arm M6, length 120-130 mm
(shortenable ≥ 71 mm)

11002915 Torque arm M6, length 425-460 mm
(shortenable ≥ 131 mm)

11054917 Torque arm M6 insulated, length 67-70 mm

11072795 Torque arm M6 insulated, length 120-130 mm
(shortenable ≥ 71 mm)

11082677 Torque arm M6 insulated, length 425-460 mm
(shortenable ≥ 131 mm)

Diagnostic accessories

11075858 Analyzer for encoders HENQ 1100

11075880 Analyzer for encoders HENQ 1100 with a
power pack

Sine encoders

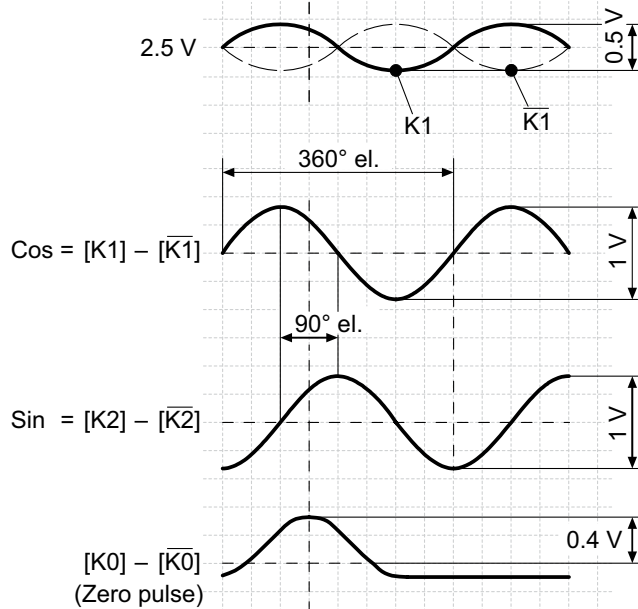
Cone shaft $\varnothing 17$ mm (1:10)

720...5000 sinewave cycles per turn

HOGS 75 KC

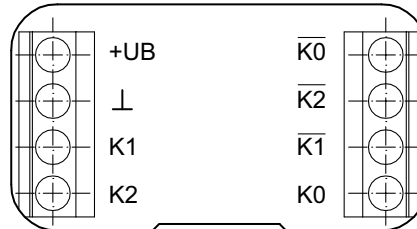
Output signals

At positive rotating direction



Terminal assignment

View A - Connecting terminal



Sine encoders

Cone shaft $\varnothing 17$ mm (1:10)

720...5000 sinewave cycles per turn

HOGS 75 KC

Dimensions

