

Housing base set A VCXG.I r IP65/67 HA

Article number: 11207845

overview

- Hard anodized cylindric housing corpus for VCXG.I cameras for modular housing to meet Parma and Food & Beverage applications requirements
- optional tube extension with Tube Module 6mm (11185376), Tube Module 12 mm (11185375) or Tube Module 36 mm (11198906).
- thread: M62
- length 56 mm



technical data

mechanical data

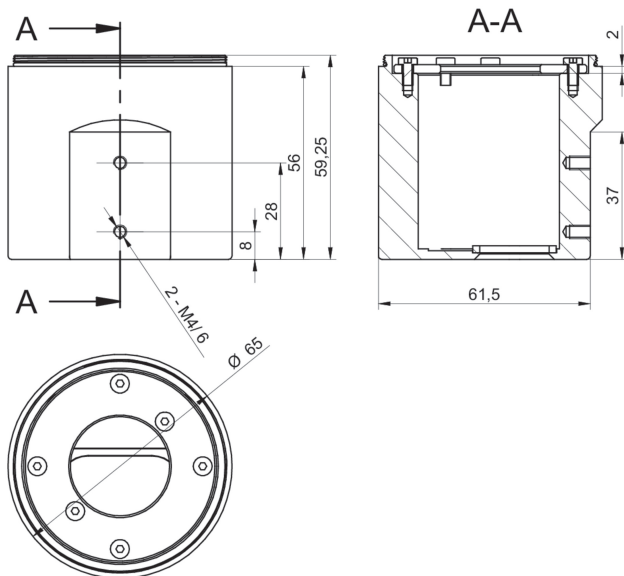
external diameter	65 mm
thread	M62 × 0,75

dimension drawing

mechanical data

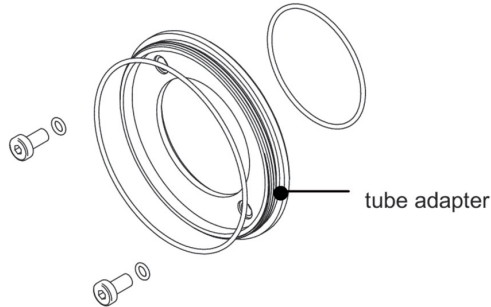
length of tube	56 mm
material	aluminum, hard-anodized

Principle

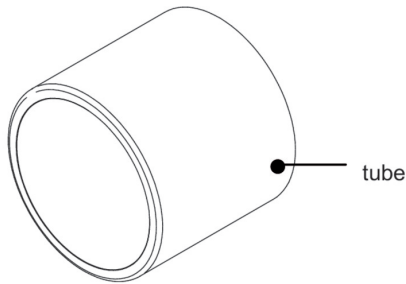


Principle

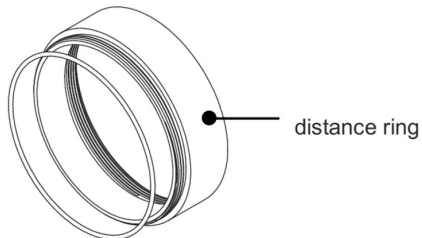
Optional accessories for protection class IP65/67:



- tube adapter
- Ø 49,5 mm, hard-anodized, incl. sealing and screws (CX.I 11185373)
 - Ø 65 mm, hard-anodized, incl. sealing and screws (CX.I 11185377; VLXT 11193125)



- tube
- Ø 49,5 mm, length 44 mm, hard-anodized, cover glass PMMA (11185370)
 - Ø 65 mm, length 58 mm, hard-anodized, cover glass PMMA (11185374)
 - Ø 49,5 mm, length 44 mm, hard-anodized, tempered laminated safety glass (11195425)
 - Ø 65 mm, length 58 mm, hard-anodized, tempered laminated safety glass (11195426)



- distance ring
- Ø 49,5 mm, length 12 mm, hard-anodized, incl. sealing (11185371)
 - Ø 49,5 mm, length 6 mm, hard-anodized, incl. sealing (11185372)
 - Ø 65 mm, length 12 mm, hard-anodized, incl. sealing (11185375)
 - Ø 65 mm, length 6 mm, hard-anodized, incl. sealing (11185376)