

# Totalizers electronic

## Position display

### Display LCD, 8-digits

#### ISI33



ISI30 - Totalizer

#### Features

- Position display

#### Technical data - electrical ratings

Voltage supply	Lithium battery (approx. 8 years at 20 °C)
Display	LCD, 7-segment display
Display illumination	24 VDC $\pm$ 20 %, 50 mA
Number of digits	8-digits
Display range	-9999999...+99999999
Digit height	8 mm
Function	Position display
Count modes	A 90° B phase evaluation x1 A 90° B phase evaluation x2
Control	NPN, PNP
Reset	Button and electric
Keylock	Yes, electric (keylock)
Emitted interference	DIN EN 61000-6-4
Interference immunity	DIN EN 61000-6-2
Programmable parameters	Count mode
Approval	UL/cULus

#### Technical data - mechanical design

Ambient temperature	-10...+60 °C
Storage temperature	-20...+70 °C
Relative humidity	80 % non-condensing
Core cross-section	2.5 mm <sup>2</sup> fine wire AWG 12
Protection DIN EN 60529	IP 65 (face with seal)
Housing type	Built-in housing
Housing colour	Deep grey, RAL 7021
Dimensions W x H x L	48 x 24 x 48 mm
Mounting depth	47.7 mm
Mounting type	Clip frame or screw mount
Cutout dimensions	45 x 22.2 mm (+0.3)
Weight approx.	50 g

#### Type table

<b>Without backlit</b>	<b>ISI33.010AA01</b>	<b>ISI33.011AA01</b>
<b>With backlit</b>	<b>ISI33.010AB01</b>	<b>ISI33.011AB01</b>
<b>Version</b>	<b>NPN</b>	<b>PNP</b>
Brief description	For position display or length measurement in conjunction with an incremental encoder	For position display or length measurement in conjunction with an incremental encoder
Signal input INP A	Counting input 0° NPN, 3 kHz	Counting input 0° PNP, 6 kHz
Signal input INP B	Counting input 90° out of phase NPN, 3 kHz	Counting input 90° out of phase PNP, 6 kHz
Operating mode	INP A 90° INP B x1 or INP A 90° INP B x2	INP A 90° INP B x1 or INP A 90° INP B x2

# Totalizers electronic

## Position display

### Display LCD, 8-digits

## ISI33

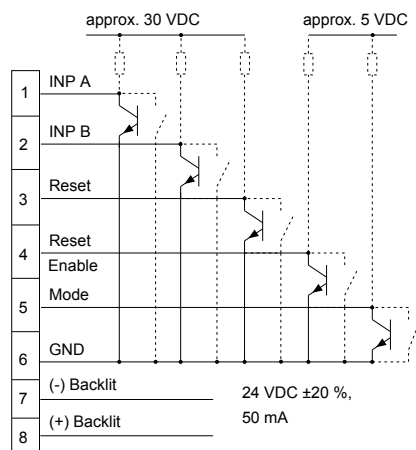
### Part number

ISI33.01   **A**   **01**

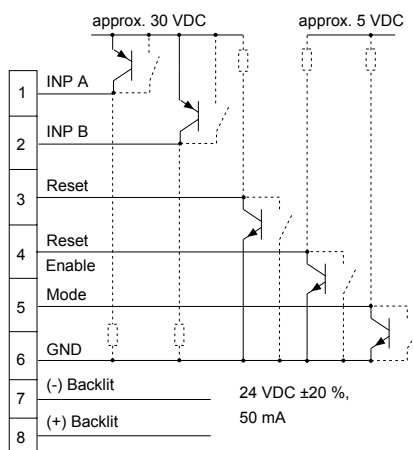
- Display
- A Without backlit
- B With backlit
- Design
- 0 NPN 3 kHz (A 90° B)
- 1 PNP 6 kHz (A 90° B)

### Connection diagram

#### ISI30, ISI31, ISI33, DC, NPN



#### ISI31, ISI33, DC, PNP



# Totalizers electronic

## Position display

### Display LCD, 8-digits

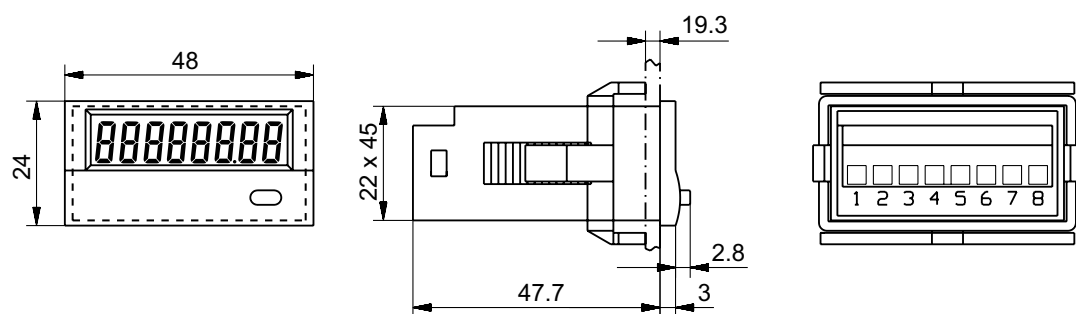
ISI33

#### Trigger level

Inputs	Input circuit	Inputs	Input circuit
<b>NPN inputs</b>	<b>Comparator (pin 1+2)</b>	<b>AC/DC inputs</b>	<b>Optocoupler (pin 1+3)</b>
Input level Low	0...0.7 VDC	Input level Low	0...2 VDC/VAC
Input level High	3...30 VDC	Input level High	10...260 VDC/VAC
Input resistance	1 MΩ	Input resistance	160 kΩ
<b>PNP inputs</b>	<b>Comparator (pin 1+2)</b>	<b>NPN control inputs</b>	<b>Pin 4, 5</b>
Input level Low	0...0.7 VDC	Input level Low	0...0.7 VDC
Input level High	4...30 VDC	Input level High	3...5 VDC
Input resistance	100 kΩ	Input resistance	2.2 MΩ

#### Dimensions

ISI33



Front frame for screw/clip mount (included with delivery)

