

Encoders without bearings - incremental

Through hollow shaft $\varnothing 60$ to $\varnothing 85$ mm

1000...2500 pulses per revolution

ITD 75 A 4



ITD 75 A 4 with through hollow shaft

Features

- Encoder with through hollow shaft max. $\varnothing 85$ mm
- Max. 2500 pulses per revolution
- Optical sensing method
- Mounting hole circle $\varnothing 162$ mm
- TTL or HTL output signals
- Without own bearings
- Cable output radial

Optional

- Cable with connector

Technical data - electrical ratings

Voltage supply	5 VDC ± 5 % 8...30 VDC
Consumption w/o load	≤ 100 mA
Sensing method	Optical
Pulses per revolution	1000...2500
Output stages	TTL linedriver (short-circuit proof) HTL push-pull (short-circuit proof)
Output signals	A, B, N + inverted
Reference signal	Zero pulse, width 90°
Output frequency	≤ 120 kHz
Reverse polarity protection	Yes
Interference immunity	DIN EN 61000-6-2
Emitted interference	DIN EN 61000-6-3

Technical data - mechanical design

Size (flange)	$\varnothing 150$ mm
Shaft type	$\varnothing 60$...85 mm (through hollow shaft)
Motor shaft tolerance	0.2 mm axial 0.2 mm radial
Protection DIN EN 60529	IP 54
Operating temperature	-20 ... $+70$ °C
Operating speed	≤ 3000 rpm
Resistance	DIN EN 60068-2-6 Vibration 10 g, 55-2000 Hz DIN EN 60068-2-27 Shock 100 g, 11 ms
Materials	Housing: aluminium Shaft: aluminium
Relative humidity	90 %
Connection	Cable 1 m
Weight approx.	1500 g

Encoders without bearings - incremental

Through hollow shaft $\varnothing 60$ to $\varnothing 85$ mm

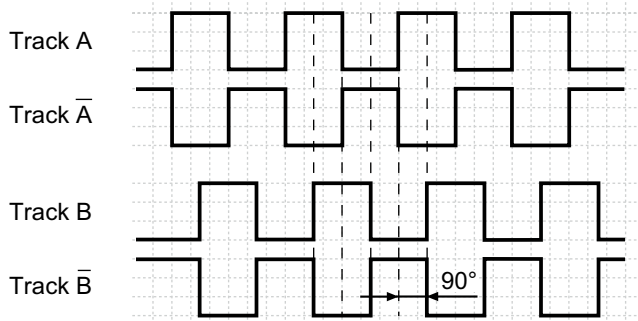
1000...2500 pulses per revolution

ITD 75 A 4

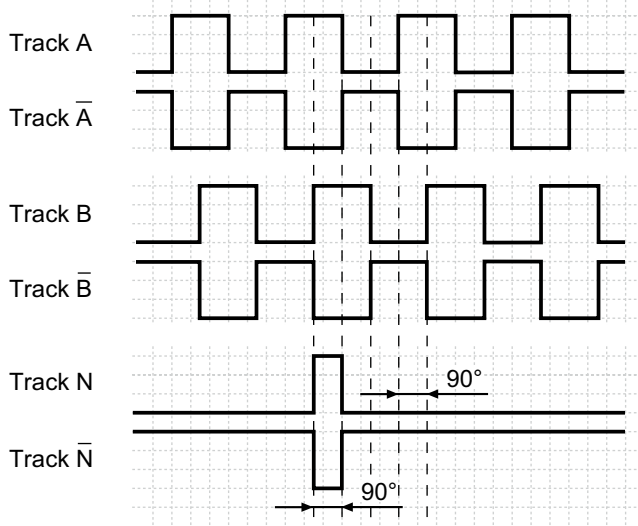
Output signals

Clockwise rotation when looking at the mounting side.

BI-Output signals



NI-Output signals



Terminal assignment

Core colour	Assignment
green	Track A
brown	Track A inv.
grey	Track B
black	Track B inv.
pink	Track N
white	Track N inv.
red	UB
blue	GND
yellow	UB-Sense
violet	GND-Sense
transparent	Shield/Housing

Trigger level

Outputs	Linedriver
Output level High	≥ 2.4 V
Output level Low	≤ 0.5 V
Load	≤ 70 mA

Outputs	Push-pull short-circuit proof
Output level High	$\geq UB - 3$ V
Output level Low	≤ 1.5 V
Load	≤ 70 mA

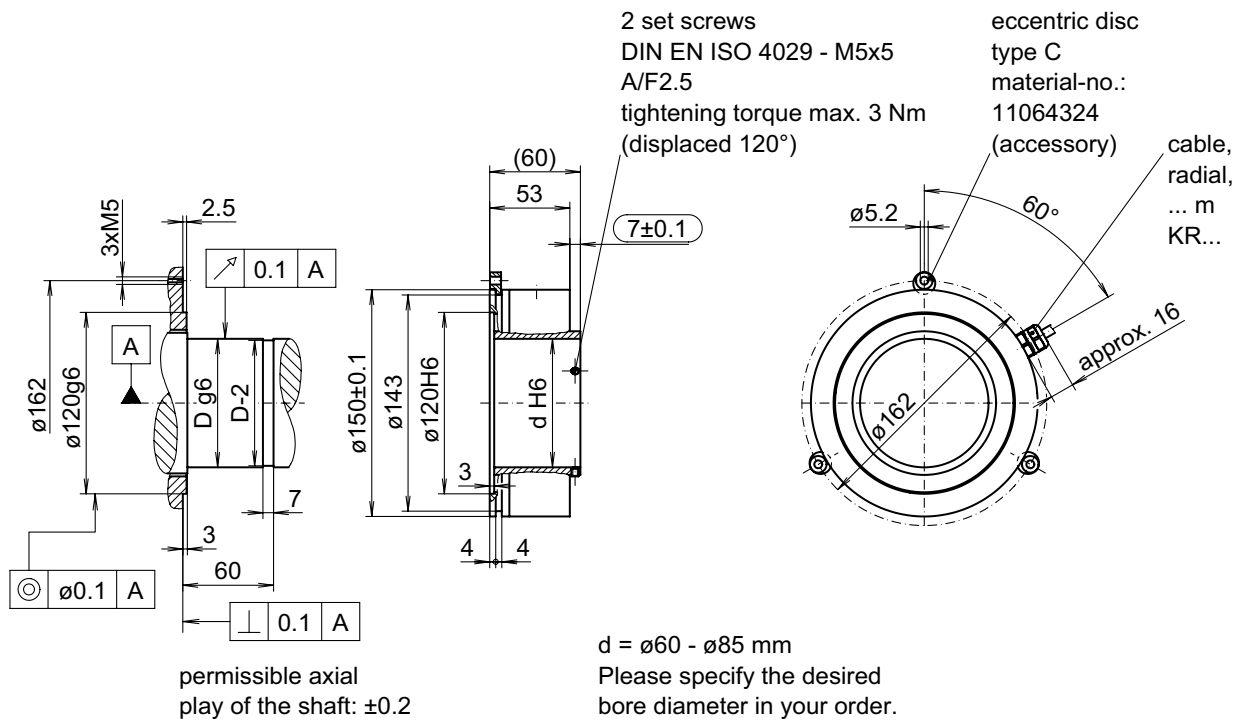
Encoders without bearings - incremental

Through hollow shaft $\varnothing 60$ to $\varnothing 85$ mm

1000...2500 pulses per revolution

ITD 75 A 4

Dimensions



025- 6