

Accessories

Mounting accessories

Spring washer K 60, shaft $\varnothing 11...22$ mm



Features

- High quality torsionally stiff and backlash free coupling
- Compensating of mounting errors
- Balanced torsional rigidity (torsional spring constant)
- Additional key possible

Part number

K 60 Spring washer coupling
for solid shaft $\varnothing 11...22$ mm

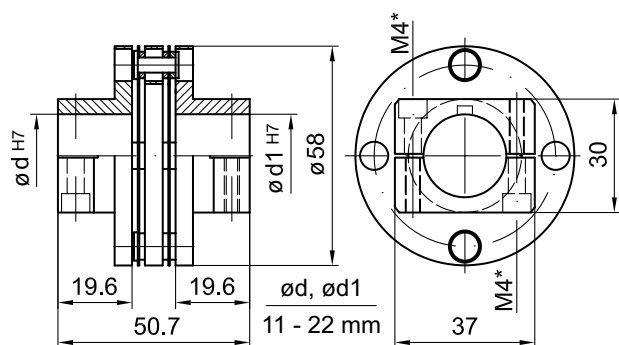
Suitable for

Encoders with solid shaft $\varnothing 11...22$ mm

Description

Spring washer coupling, which combines the necessary torsional stiffness with the ability to compensate for axial displacement which occurs especially through heat expansion of the drive and the play backlash of the ball bearings.

Dimensions

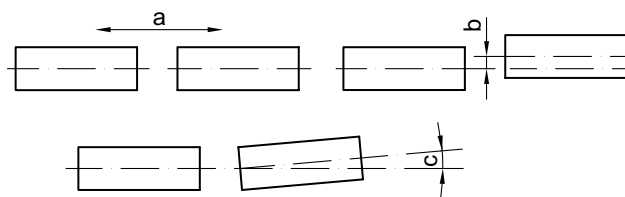


- * Max. tightening torque:
 $M_t = 150$ Ncm (plastic side)
 $M_t = 2-3$ Nm (metal side)

Technical data

Mounting type	For shaft $\varnothing 11...22$ mm
Operating speed	≤ 12000 rpm
Moment of inertia	$685 \cdot 10^{-3}$ kgcm ²
Torsional rigidity	3600 Nm/rad
Operating torque	≤ 18 Ncm
Maximum torque	34 Nm
Admissible axial movement	± 0.7 mm
Admissible parallel misalignment	± 0.1 mm
Admissible angular error	$\pm 1^\circ$
Weight approx.	165 g
Material	Spring disks: X12 CrNi 17 7

Assembly drawing



- a = Admissible axial movement
b = Admissible parallel misalignment
c = Admissible angular error