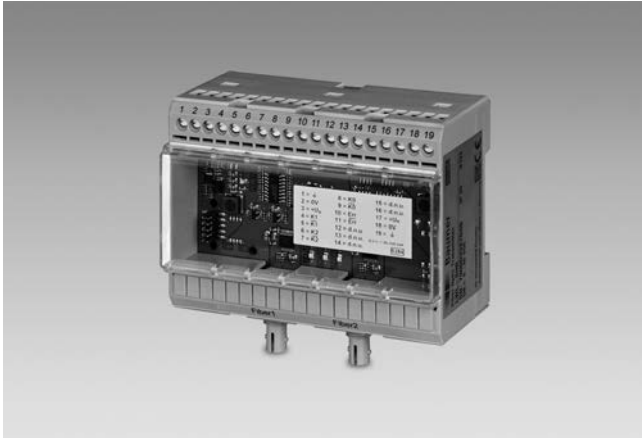


Signal Processing

Fiber-optic receiver for interference-free transmission of square-wave signals

Fiber-optic receiver: LWL-EHR



LWL-EHR

Features

- Transmission length up to 1500 m
- Reconversion of optical signals into electrical signals and generation of status signals
- Transmission error detection via checksum (CRC)
- High-precision transmission of signals (Jitter <100 ns)
- Constant delay time <20 µs
- Automatic channel switchover in realtime upon failure of one fiber-optic channel

Technical data - electrical ratings

Voltage supply	9...30 VDC
Consumption	≤300 mA
Inputs	2x fiber-optic, 2x error acknowledgement (Ack)
Input signals	Fiber1, Fiber2, Ack1, Ack2
Input level	Ack >2.5 V
Outputs	HTL (power linedriver) TTL (RS422)
Output signals	K1, K2, K0 + inverted Err + inverted Status S1, status S2, sum status (SSum)
Output frequency	≤300 kHz (HTL) ≤1 MHz (TTL)
Output level	HTL: LOW: ≤0.2 UB; HIGH: ≥0.8 UB TTL: LOW: ≤0.7 V; HIGH: ≥3 V
Start time	<500 ms
Wave length	~820 nm
Transmission length	≤1500 m
Status output	S1, S2 (configurable)
LED operating status	1x power LED (green) 1x overload LED (red) 1x status LED (green) each channel 1x error LED (red) each channel 1x link LED (green) each channel

Technical data - mechanical design

Dimensions W x H x L	100 x 75 x 53 mm
Protection DIN EN 60529	IP 20
Operating temperature	-20...+70 °C (without dew)
Connection	Screw terminal connector 2x ST connector
Housing type	Mounting on standard rails according to EN 50022

Fiber-optic receiver: LWL-EHR

Part number

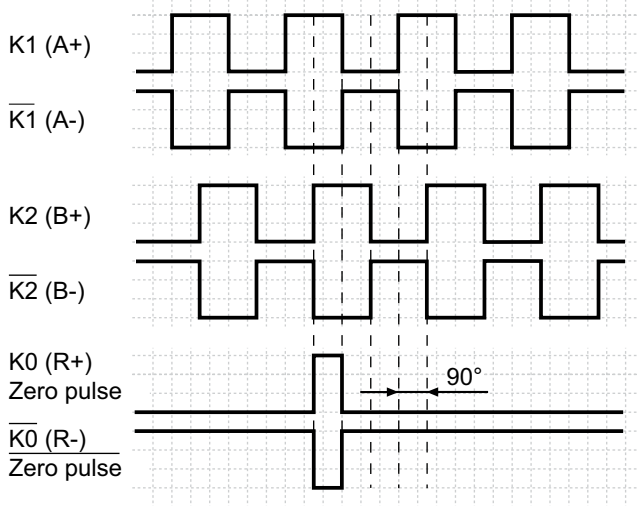
Fiber-optic receiver, input 2x fiber-optic

LWL-EHR

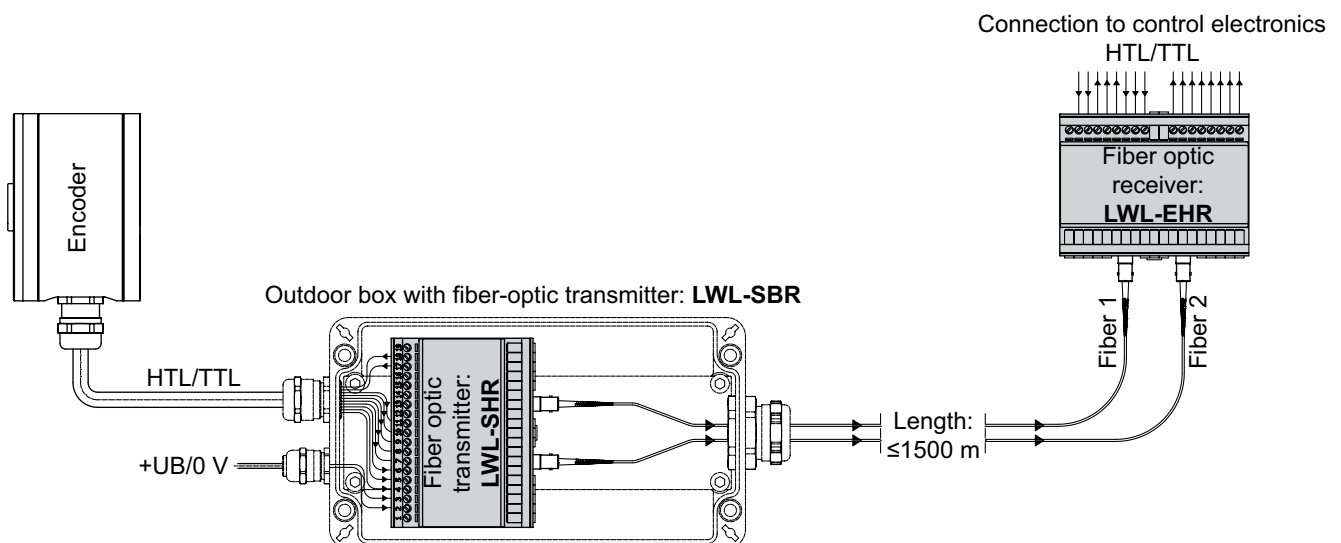
	Output stages
11090948	Output HTL
11090946	Output TTL

Output signals

At positive rotating direction



Connection diagram



Signal Processing

Fiber-optic receiver for interference-free transmission of square-wave signals

Fiber-optic receiver: LWL-EHR

Dimensions

