



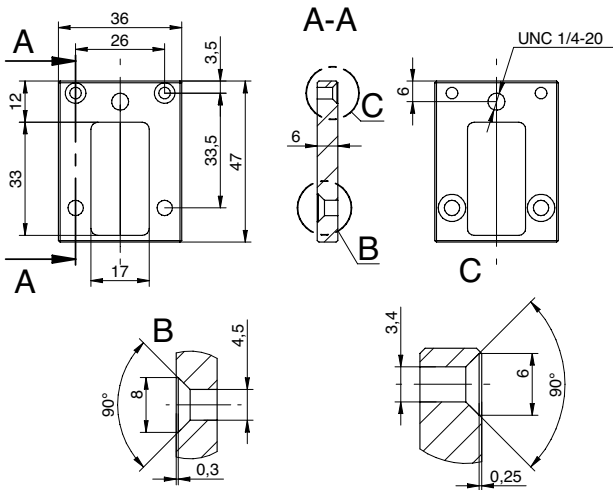
**features**

- camera mounting adapter for TX, *VisiLine*®, *VisiLine*® IP, VCXG.I, LXG, LXC, PX and SX/HX cameras incl. screws (hexagon socket) and washers
- stable bottom and tripod mounting

**mechanical data**

|            |                      |
|------------|----------------------|
| dimensions | 47 mm × 36 mm × 6 mm |
| weight     | ≤ 17 g               |
| material   | aluminum             |

**dimension drawing**



**schematic diagram**

