

Absolute encoders - SSI

Solid shaft $\varnothing 11$ mm with EURO flange B10 or housing foot B3

ST and MT 20 bit / Speed switch

SSI absolut value, number of pulses and switching speed freely programmable

PMG10P - SSI



PMG10P - picture similar

Features

- Magnetic sensing method
- Singleturn/multiturn 20 bit programmable
- Function display via LEDs
- Multiturn sensing with Energy Harvesting technology, without gear or battery
- Two-sided bearing system with hybrid bearings
- Special protection against corrosion C5-M

Optional

- Integrated speed switch programmable
- Additional outputs incremental programmable

Technical data - electrical ratings

Voltage supply	4.75...30 VDC
Short-circuit proof	Yes
Consumption w/o load	≤ 100 mA (SSI)
Initializing time	≤ 500 ms after power on
Interface	SSI
Steps per revolution	1048576 / 20 bit
Number of revolutions	1048576 / 20 bit
Additional outputs	Square-wave TTL/HTL, TTL/RS422
Sensing method	Magnetic
Code	Gray (fact. setting) or binary
Code sequence	CW (fact. setting), programmable
Input signals	SSI clock, PRESET, rotating direction
Interference immunity	EN 61000-6-2
Emitted interference	EN 61000-6-3
Programming interface	RS485 (≤ 600 m)
Programmable parameters	Resolution singleturn and multiturn (SSI), binary or gray code (SSI), additional output (no. of pulses), switch-off and switch-on speeds
Diagnostic function	Function control
Status indicator	4 LEDs in device back side
Approval	CE

Technical data - electrical ratings (speed switches)

Switching accuracy	± 2 % (or 1 Digit)
Switching outputs	1 output (Open collector, solid state relay on request)
Output switching capacity	30 VDC; ≤ 100 mA
Switching delay time	≤ 20 ms

Technical data - mechanical design

Size (flange)	$\varnothing 115$ mm
Shaft type	$\varnothing 11$ mm solid shaft
Flange	EURO flange B10 Housing foot B3
Protection DIN EN 60529	IP 66/IP 67
Operating speed	≤ 12000 rpm
Range of switching speed	ns (off) = $\pm 2 \dots 12000$ rpm, factory setting 12000 rpm
Operating torque typ.	10 Ncm
Rotor moment of inertia	1 kgcm ²
Admitted shaft load	≤ 450 N axial ≤ 650 N radial
Materials	Housing: aluminium alloy Shaft: stainless steel
Corrosion protection	IEC 60068-2-52 Salt mist for ambient conditions C5-M (CX) according to ISO 12944-2
Operating temperature	-40...+95 °C
Relative humidity	95 % non-condensing
Resistance	IEC 60068-2-6 Vibration 30 g, 10-2000 Hz IEC 60068-2-27 Shock 400 g, 1 ms
Weight approx.	1.9 kg (depending on version)
Connection	Terminal box Flange connector M23

Absolute encoders - SSI

Solid shaft $\varnothing 11$ mm with EURO flange B10 or housing foot B3

ST and MT 20 bit / Speed switch

SSI absolut value, number of pulses and switching speed freely programmable

PMG10P - SSI

Part number

PMG10P

	-S		.	1		UG	.	3	6	0			.G
--	----	--	---	---	--	----	---	---	---	---	--	--	----

Additional output 2*

- 0 Without
- 5 1024 ppr*** TTL/HTL (Vin=Vout), 6 channels, electrically isolated
- 6 1024 ppr*** TTL/RS422, 6 channels

Additional output 1

- 0 Without
- 5 1024 ppr*** TTL/HTL (Vin=Vout), 4 channels
- 6 1024 ppr*** TTL/RS422, 4 channels

Resolution speed

- 0 Without ***

Resolution multiturn

- 6 16 bit ***

Resolution singleturn

- 3 13 bit ***

Voltage supply / interface

- UG 4,75...30 VDC, SSI Gray ***

Connection

- 2 1x terminal box with cable gland M20, radial
- G 1x flange connector M23, radial, 17-pin, male, CW
- M 2x terminal box with cable gland M20, radial
- S 2x flange connector M23, radial (1x 17-pin, male, CW + 1x 12-pin, male, CW)

Shaft diameter

- 1 $\varnothing 11$ mm with key 4 mm

Protection

- D IP 66 and IP 67, optimized for dusty environments
- L IP 66 and IP 67, optimized for oily and wet environments

Flange

- H EURO flange B10, shaft insulation hybrid bearing
- A Housing foot B3, shaft insulation hybrid bearing**

Speed switch*

- Without
- D With speed switch / switching speed 12000 rpm***
(Standard: Open collector, solid state relay on request)

* Only for connection 2x terminal box (M) or 2x flange connector (S)

** Only for connection 2x terminal box (M)

*** Factory setting, programmable

Absolute encoders - SSI

Solid shaft $\varnothing 11$ mm with EURO flange B10 or housing foot B3

ST and MT 20 bit / Speed switch

SSI absolut value, number of pulses and switching speed freely programmable

PMG10P - SSI

Terminal significance

Ub	Voltage supply
0V	Ground
A+ ²⁾	Output signal channel 1
A- ²⁾	Output signal channel 1 inverted
B+ ²⁾	Output signal channel 2 (offset by 90° to channel 1)
B- ²⁾	Output signal channel 2 inverted
R+ ²⁾	Zero pulse (reference signal)
R- ²⁾	Zero pulse inverted
nE+	System OK+ / error output
nE-	System OK- / error output inverted
PRE	PRESET/RESET
DIR	Rotating direction
SP+ ³⁾	DSL_OUT1 / speed switch (Open collector, solid state relay on request)
SP- ³⁾	DSL_OUT2 / speed switch (0V, solid state relay on request)
SA	RS485+ / programming interface
SB	RS485- / programming interface
D+	SSI data+
D-	SSI data-
C+	SSI clock+
C-	SSI clock-
dnu	Do not use

Terminal assignment flange connectors

View C¹⁾

SSI, programming interface, additional output incremental 1

1	nE-
2	DIR
3	SB
4	nE+
5	PRE
6	SA
7	Ub
8	C+
9	C-
10	0V
11	Internal shield
12	dnu / B+ ²⁾
13	dnu / B- ²⁾
14	D+
15	dnu / A+ ²⁾
16	dnu / A- ²⁾
17	D-

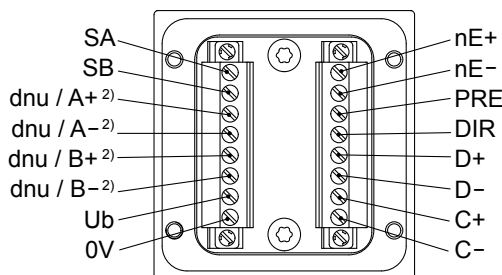
View D¹⁾

Additional output incremental 2, speed switch

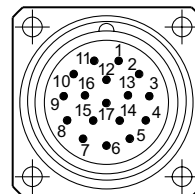
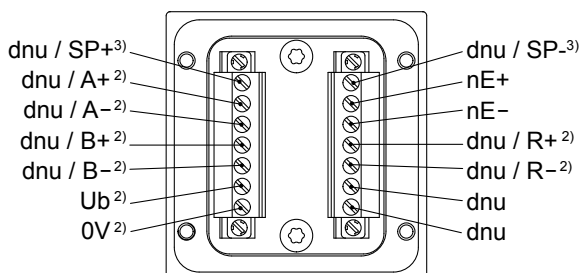
1	dnu / B- ²⁾
2	nE-
3	dnu / R+ ²⁾
4	dnu / R- ²⁾
5	dnu / A+ ²⁾
6	dnu / A- ²⁾
7	dnu / SP+ ³⁾
8	dnu / B+ ²⁾
9	dnu / SP- ³⁾
10	0V ²⁾
11	nE+
12	Ub ²⁾

Terminal assignment terminal box

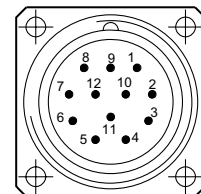
View A¹⁾ - SSI, programming interface, additional output incremental 1



View B¹⁾ - Additional output incremental 2, speed switch



Flange connector M23 (male, 17-pin) Clockwise (CW)



Flange connector M23 (male, 12-pin) Clockwise (CW)

¹⁾ See dimensions

²⁾ Additional output incremental (option)

³⁾ Speed switch (option)

Absolute encoders - SSI

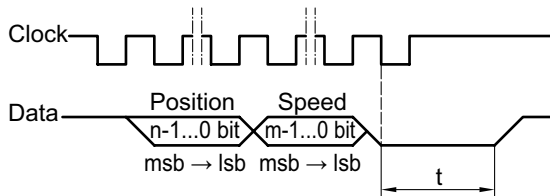
Solid shaft $\varnothing 11$ mm with EURO flange B10 or housing foot B3

ST and MT 20 bit / Speed switch

SSI absolut value, number of pulses and switching speed freely programmable

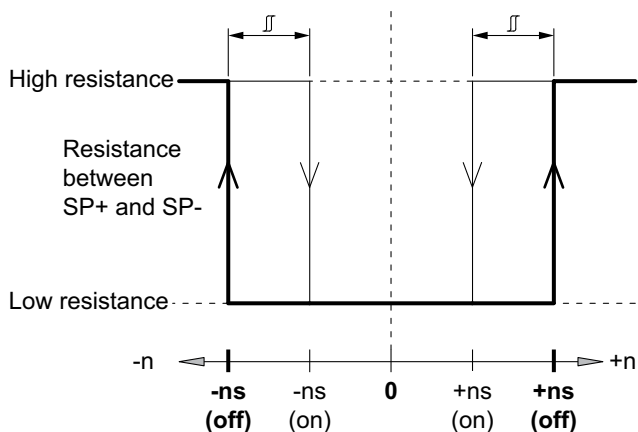
PMG10P - SSI

Data transfer



Clock frequency	100 kHz...2 MHz
Monoflop time (t)	20 μ s (internal)
n, m	Number of bits
For continuous clocking, the SSI word is transmitted only once followed by zero values (no ring register operation).	

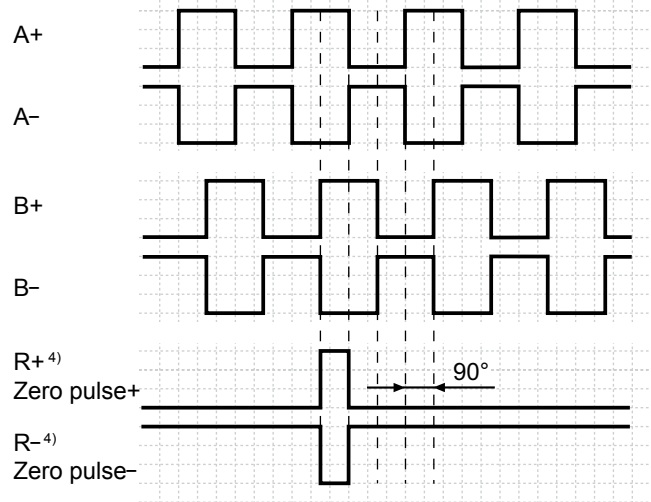
Speed switch - Switching characteristics



- n = Speed
- +ns (off)** = Switch-off speed at shaft rotation in positive rotating direction ¹⁾.
- ns (off)** = Switch-off speed at shaft rotation in negative rotating direction ¹⁾.
- Switching hysteresis \square :
5...100 % (factory setting = 10 % min. 1 Digit)
- +ns (on)** = Switch-on speed at shaft rotation in positive rotating direction ¹⁾.
- ns (on)** = Switch-on speed at shaft rotation in negative rotating direction ¹⁾.

Additional output incremental - Output signals

Version with additional output incremental at positive rotating direction ¹⁾



Additional output incremental - Trigger level

Trigger level	TTL/RS422
High / Low	≥ 2.5 V / ≤ 0.5 V
Transmission length	≤ 550 m @ 100 kHz
Output frequency	≤ 600 kHz
Trigger level	TTL/HTL (Vin = Vout)
High / Low	≥ 2.5 V / ≤ 0.5 V (TTL) $\geq U_b - 3$ V / ≤ 1.5 V (HTL)
Transmission length	≤ 550 m @ 100 kHz (TTL) ≤ 350 m @ 100 kHz (HTL)
Output frequency	≤ 600 kHz (TTL) ≤ 350 kHz (HTL)

Electrically isolated:
The output TTL/HTL (Vin = Vout) at the additional output incremental 2 is electrically isolated and requires a separate power supply.

¹⁾ See dimensions

⁴⁾ Only additional output incremental 2

Absolute encoders - SSI

Solid shaft $\varnothing 11$ mm with EURO flange B10 or housing foot B3

ST and MT 20 bit / Speed switch

SSI absolut value, number of pulses and switching speed freely programmable

PMG10P - SSI

Accessories

Connectors and cables

HEK 8	Sensor cable for encoders
HEK 17	Sensor cable for encoders
11068577	Mating connector M23, solder version, 12-pin, CCW
11068551	Mating connector M23, solder version, 17-pin, CCW
11172482	Mating connector M23 (11 pins assigned) 17-pin, CCW with sensor cable HEK 17, length 1 m
11172481	Mating connector M23 (11 pins assigned) 17-pin, CCW with sensor cable HEK 17, length 3 m
11172499	Mating connector M23 (11 pins assigned) 17-pin, CCW with sensor cable HEK 17, length 5 m
11172580	Mating connector M23 (11 pins assigned) 17-pin, CCW with sensor cable HEK 17, length 10 m
11172463	Mating connector M23 (17 pins assigned) 17-pin, CCW with sensor cable HEK 17, length 3 m
11191143	Adapter cable for programming the HMG10P/ PMG10P SSI series with flange connector/s Mating connector M23, 17-pin, CCW with connecting cable and D-SUB connector (male) 15-pin, tee connector M23, 3x 17-pin
11191144	Adapter cable for programming the HMG10P/ PMG10P SSI series with terminal box D-SUB connector (male) 15-pin with connecting cable and 8-pin connecting terminal

Mounting accessories

K 35	Spring washer coupling for solid shaft $\varnothing 6...12$ mm
K 50	Spring washer coupling for solid shaft $\varnothing 11...16$ mm
K 60	Spring washer coupling for solid shaft $\varnothing 11...22$ mm

Programming accessories

11190106	Z-PA.SDL.1 - <i>WLAN-Adapter</i> Programming unit for xMG10P series
----------	--

Absolute encoders - SSI

Solid shaft $\varnothing 11$ mm with EURO flange B10 or housing foot B3

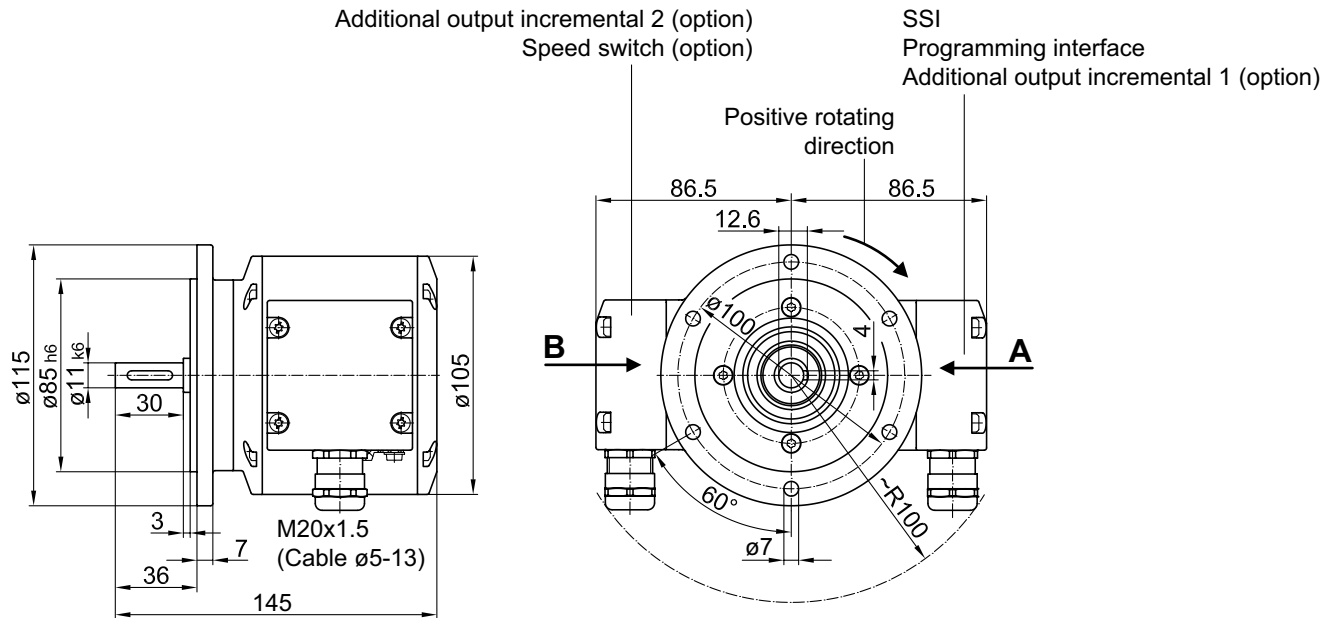
ST and MT 20 bit / Speed switch

SSI absolut value, number of pulses and switching speed freely programmable

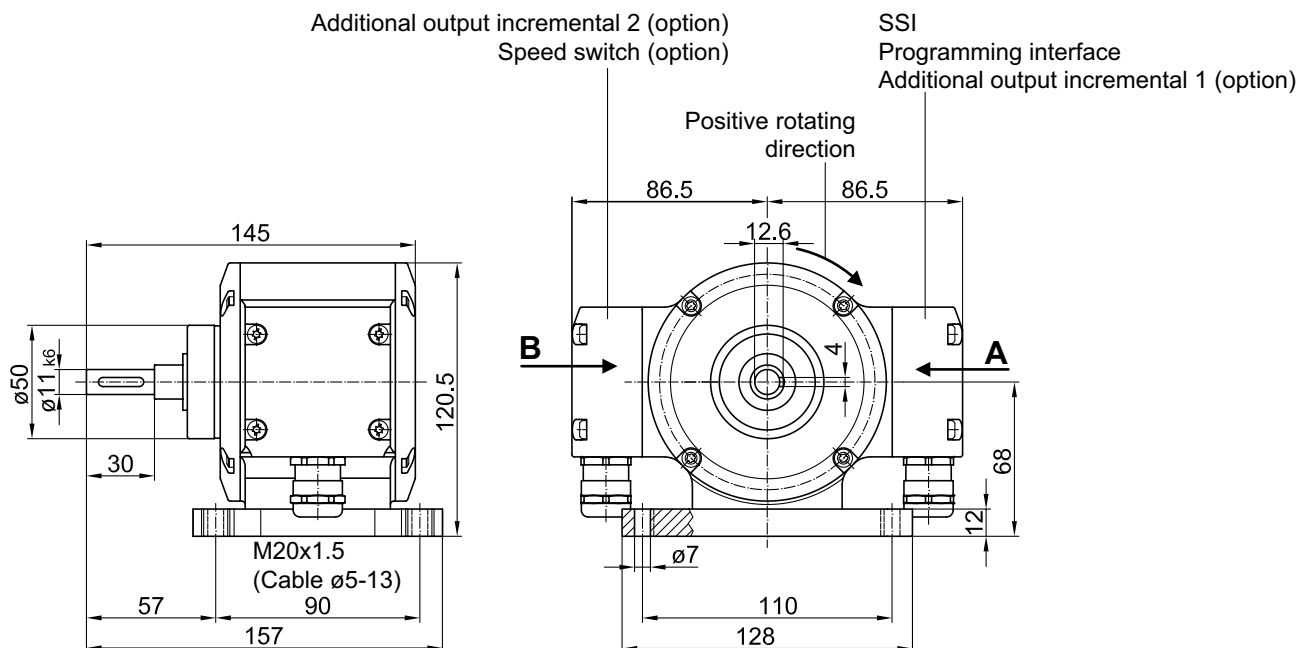
PMG10P - SSI

Dimensions

Version with radial terminal boxes with EURO flange B10



Version with radial terminal boxes with housing foot B3



Absolute encoders - SSI

Solid shaft $\varnothing 11$ mm with EURO flange B10 or housing foot B3

ST and MT 20 bit / Speed switch

SSI absolut value, number of pulses and switching speed freely programmable

PMG10P - SSI

Dimensions

Version with radial flange connectors M23 with EURO flange B10

