



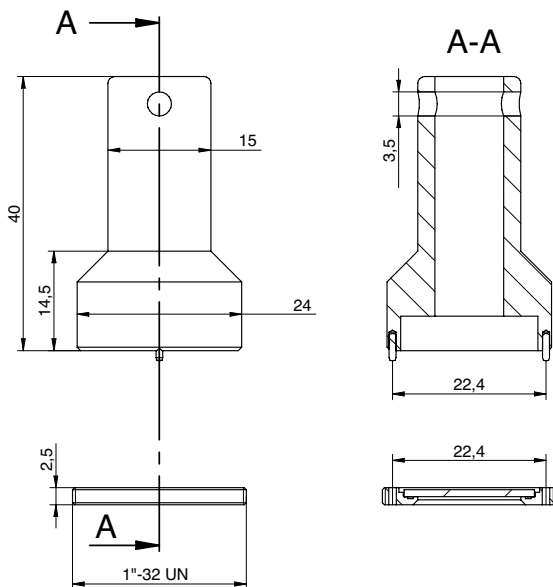
**features**

- daylight blocking filter up to 780nm
- screwable into C-mount housing (independent from lens)
- set with screw-in tool

**mechanical data**

height 2,5 mm  
thread 1"-32 UN

**dimension drawing**



**schematic diagram**

