

overview

- 640 × 480 px
- ON Semiconductor PYTHON300
- 1/4" CMOS
- 403 fps
- Gigabit Ethernet



technical data

sensor information

sensor	ON Semiconductor PYTHON300
resolution	640 × 480 px
exposure time	0,02 ... 1000 ms
pixel size	4.8 × 4.8 μm
shutter type	Global shutter
sensor type	1/4" CMOS

acquisition formats

image formats, interface frame rate max.	Full Frame, 640 × 480 px, max. 403 fps Binning 2×2, 320 × 240 px, max. 595 fps Binning 2×1, 320 × 480 px, max. 595 fps Binning 1×2, 640 × 240 px, max. 595 fps
--	---

image formats, acquisition frame rate max. (Burst Mode)	Full Frame, 640 × 480 px, max. 595 fps
---	--

pixel formats	BayerRG8 BayerRG10 BayerRG12 BayerRG12 Packed Mono8 Mono10 Mono12 Mono12 Packed RGB8 BGR8
---------------	--

image preprocessing

analog controls	Gain (0 ... 12 dB) Offset (0 ... 63 LSB 10 Bit)
-----------------	--

image preprocessing

color models	Mono Raw Bayer RGB
--------------	--------------------------

camera features

synchronization	free running trigger
trigger sources	Hardware software ActionCommand
trigger delay	0 ... 2 sec, tracking and buffering of up to 256 trigger signals
internal image buffer	15 MB 16 images (Trigger Mode) 1 image (Free Running Mode)

interfaces and connectors

data interface	Gigabit Ethernet, Transfer rate 1000 Mbits/sec, Fast Ethernet, Transfer Rate 100 Mbits/sec, Connector: 8P8C Modular Jack (RJ45), screwable type
process interface	M8 / 8 pins (SACC-DSI-M8MS-8CON-M8-L180)
power supply	M8 / 8 pins or PoE

mechanical data

lens mount	C-mount
width	29 mm
height	29 mm
depth	49 mm

VCXG-02C

Gigabit Ethernet, 0,3 Megapixel, Color

Article number: 11165843

technical data

mechanical data

weight	≤ 120 g
material	zinc die casting, nickel-plated, IP 40

electrical data

voltage supply range +Vs	12 ... 24 V DC (external power supply) 36 ... 57 V DC (Power over Ethernet)
power consumption	approx. 2,6 W @ 12 VDC and 403,0 fps approx. 3,2 W @ 48 VDC (PoE) and 403,0 fps

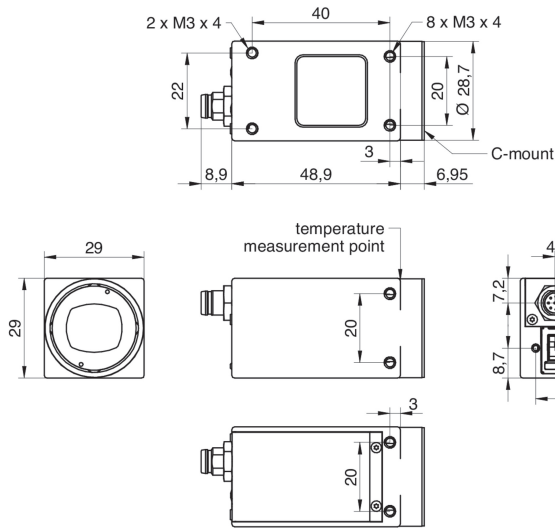
non-volatile memory

flash memory size	128 kB
-------------------	--------

environmental conditions

operating temperature	+5 ... +65 °C @ T = measurement point
-----------------------	---------------------------------------

dimension drawing



environmental conditions

humidity	10 ... 90 % (non-condensing)
protection class	IP 40

digital I/Os

lines	1 input line 1 output line 2 general purpose lines
-------	--

conformity

conformity	CE RoHS KC (MISP-REI-BKR-VCXG-13M) EAC
------------	---