



features

- PROFINET and EtherNet/IP™ interface integrated
- FEX® image processor
- User management
- Password protection
- Backup & Restore function
- Download VeriSens® Application Suite: www.baumer.com/vs-sw



general data

resolution	752 × 480 px
sensor type	1/3" CMOS, monochrome
illumination	integrated, LED infrared (860 nm)
LED class	free group (risk free, EN 62471:2008)
high-resolution mode	max. 50 inspections per second
object distance min.	50 mm
object distance max.	450 mm
number of jobs (products)	≤ 255
features per job	32
signal processing	Baumer FEX® 4.0
defect image memory	32
lens	12 mm

electrical data

voltage supply range +Vs	18 ... 30 V DC
power consumption	Typ. 8 W (I _{max} = 1 A @ 24 V)
digital inputs	5 inputs (8 ... 30 V) trigger job selection external teach-in encoders (CH-A, CH-B) 500 kHz
digital outputs	5 outputs (PNP 100 mA) Pass / Fail Flash Sync Alarm Camera Ready Output Enable
initial setup	Ethernet (10BASE-T / 100BASE-TX)
process interface	PROFINET (CC-A) EtherNet/IP™ TCP/UDP (Ethernet)
visualization	configurable web interface with MultiViewer function

non-volatile memory

flash memory size	256 Mbit Flash S29GL256P10FFI010
-------------------	-------------------------------------

mechanical data

width	53 mm
height	99,5 mm
depth	38 mm
weight	≤ 250 g
material	housing: aluminum cover glass: PMMA, integrated daylight filter (780 nm)

environmental conditions

operating temperature	+5 ... +50 °C @ T = measurement point
storage temperature	-20 ... +70 °C
humidity	0 ... 90 % (non-condensing)
protection class	IP 67
vibration load	IEC 60068-2-6 IEC 60068-2-64
mechanical shock resistance	EN 60068-2-27

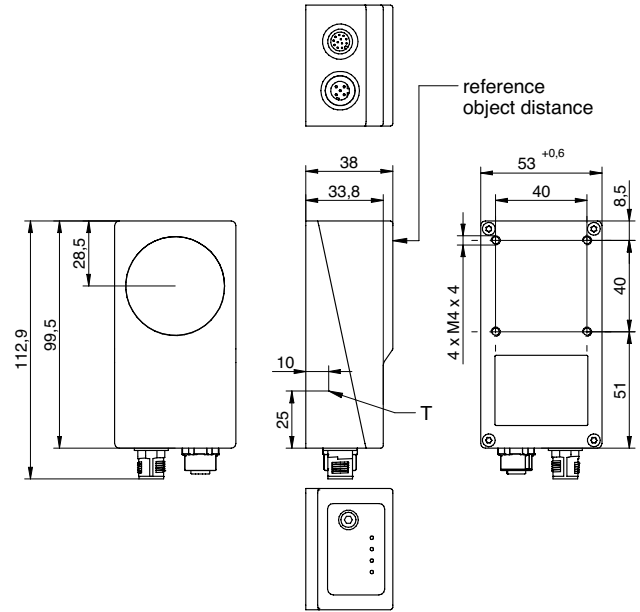
conformity

conformity	CE RoHS
------------	------------

code types

barcode	2/5 Industrial 2/5 Interleaved Codabar Code 39 Code 93 Code 128 PharmaCode EAN 8 EAN 13 UPC-A UPC-E GS1 DataBar GS1 128
matrix code	DataMatrix (ECC 200) GS1-DataMatrix QR-Code PDF417
font	many font styles (recommended: sans serif, proportional) Dot Matrix characters: A-Z a-z 0-9 + - . : / ()

dimension drawing



feature checks

part location	part location on text line
feature comparison	contour comparison
identification	barcode matrix code text

electrical connection M12 / 12-pin, A-coded (on device)



1: PWR (+18-30 V DC)	7: OUT3
2: Ground	8: IN3
3: IN1 (Trigger)	9: OUT4
4: OUT1	10: IN4
5: IN2	11: IN5
6: OUT2	12: OUT5

Ethernet connection M12 / 4-pin (on device)



1: TD+	3: TD-
2: RD+	4: RD-