



features

- User management
- Password protection
- Backup & Restore function
- Coordinate conversion
- flexible result conjunction
- Download VeriSens® Application Suite: www.baumer.com/vs-sw



general data

resolution	752 × 480 px
sensor type	1/3" CMOS, monochrome
illumination	integrated, LED white
LED class	risk group 1 (low risk, EN 62471:2008)
high-resolution mode	max. 50 inspections per second
high-speed mode (limited resolution)	max. 100 inspections per second
object distance min.	50 mm
number of jobs (products)	≤ 255
features per job	32
signal processing	Baumer FEX® 4.0
defect image memory	32
lens	10 mm

electrical data

voltage supply range +Vs	18 ... 30 V DC
power consumption	typical 5 W ($I_{max} = 1$ A at 24 V)
digital inputs	5 inputs (8 ... 30 V) trigger job selection external teach-in encoders (CH-A, CH-B) 500 kHz
digital outputs	5 outputs (PNP) Pass / Fail Flash Sync Alarm Camera Ready Output Enable
initial setup	Ethernet (10BASE-T / 100BASE-TX)
process interface	TCP/UDP (Ethernet)
visualization	web interface

non-volatile memory

flash memory size	256 Mbit Flash S29GL256P10FFI010
-------------------	-------------------------------------

mechanical data

width	53 mm
height	107,5 mm
depth	38 mm
weight	≤ 700 g
material	housing: stainless steel 1.4404 cover glass: PMMA

environmental conditions

operating temperature	+5 ... +50 °C
storage temperature	-20 ... +70 °C
case temperature	max. +50 °C
humidity	0 ... 90 % (non-condensing)
protection class	IP 69K
vibration load	IEC 60068-2-6 IEC 60068-2-64
mechanical shock resistance	EN 60068-2-27

conformity

conformity	CE RoHS
------------	------------

code types

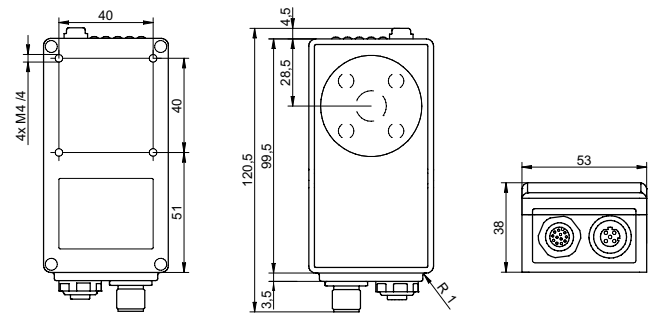
barcode	2/5 Industrial
	2/5 Interleaved
	Codabar
	Code 39
	Code 93
	Code 128
	PharmaCode
	EAN 8
	EAN 13
	UPC-A
	UPC-E
	GS1 DataBar
GS1 128	
matrix code	DataMatrix (ECC 200)
	GS1-DataMatrix
	QR-Code
	PDF417
font	many font styles (recommended: sans serif, proportional)
	Dot Matrix
	characters: A-Z a-z 0-9 + - . : / ()

Ethernet connection M12 / 4-pin (on device)



1: TD+	3: TD-
2: RD+	4: RD-

dimension drawing



feature checks

part location	part location on contours
	part location on edges
	part location on circle
	part location on text line
geometry	distance
	circle
	angle
	count edges
	point position
	edge characteristics
feature comparison	contour comparison
	count contour points
	brightness
	contrast
	area size
	count areas
pattern comparison	pattern comparison
identification	barcode
	matrix code
	text

electrical connection M12 / 12-pin, A-coded (on device)



1: PWR (+18-30 V DC)	7: OUT3
2: Ground	8: IN3
3: IN1 (Trigger)	9: OUT4
4: OUT1	10: IN4
5: IN2	11: IN5
6: OUT2	12: OUT5