



## features

- LED spot light
- white
- 19... 30 V
- cable length: 0,15 m
- diameter: 34 mm
- adjustable glass optics for spot or broad light
- integrated flash controller and potentiometer (brightness and exposure time)
- direct connection to VeriSens® M12/12-pin connector thanks to T-adaptor cable (ZVI-LUMIMAX T1-Adapterkabel VeriSens® (11175008))
- maximum exposure time 220 µs (maximum frequency 35 Hz)

## general data

manufacturer iiM AG

## illumination data

color white

illumination mode flashable

## mechanical data

construction design spot light

max. outer diameter 36 mm

height 75 mm

max. length (excl. thread) 92 mm

dimensions Ø 30 mm

luminous area

cable length [m] 0,15 m

weight ≤ 150 g

filter thread M30,5 x 0,5

material aluminum

## electrical data

number of poles 12

illumination connector M16 connector

voltage supply range +Vs 19 ... 30 VDC

current at flash mode ≤ 0,2 A

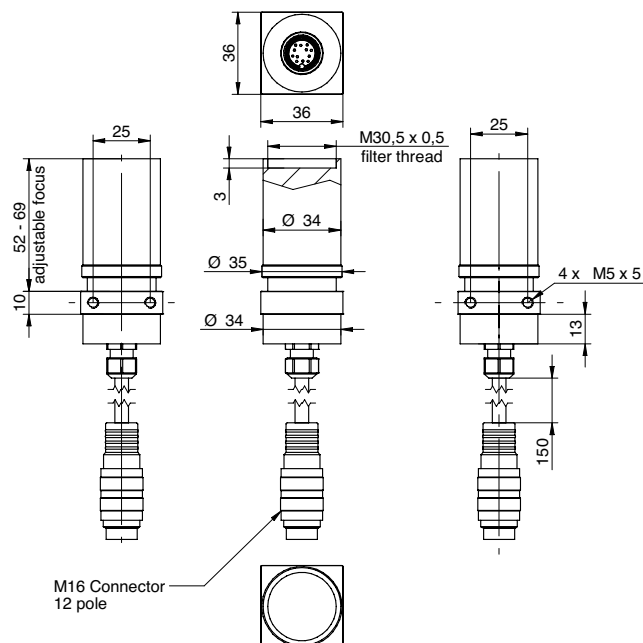
maximum flash duration 0,22 ms

## environmental conditions

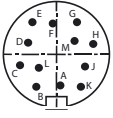
operating temperature 5 ... +45 °C

protection class IP 40

## dimension drawing



**pin assignment**



LUMIMAX® Spot5W-FL

A+K:	GND	F:	+ Trigger SPS /TTL
B+L:	+Vs	G:	GND Trigger
C:	-	H:	Shield
D:	Brightness Control 1...10 VDC	I:	-
E:	-	J:	-