



### features

- flashable LED ring light
- white
- radiation angle 120°
- 24 V
- M8/4-pin connector (cable has to be ordered separately)
- diameter: 101 mm
- connector and pin assignment suitable for VeriSens® XC series

### general data

manufacturer Büchner Lichtsysteme GmbH

### illumination data

color white  
illumination mode flashable

### mechanical data

construction design ring light  
dimensions Ø 101 mm  
dimensions Ø external 101 mm  
luminous area Ø internal 67 mm  
material of cover glass acrylic  
weight ≤ 160 g  
material aluminum (anodized)

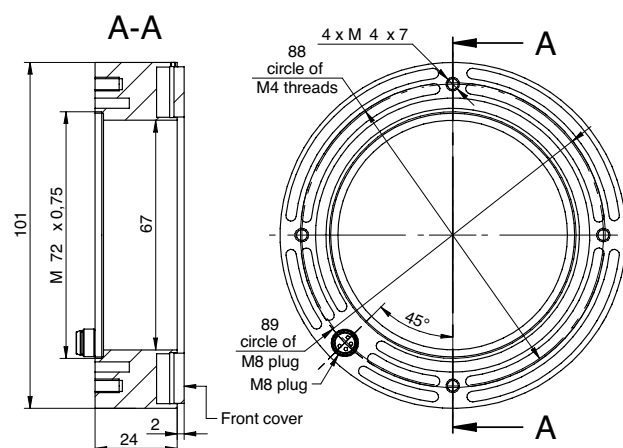
### electrical data

number of poles 4  
illumination connector M8 connector  
current ≤ 0,3 A  
current at flash mode ≤ 0,45 A  
voltage at flash mode ≤ 48 V  
duty cycle 0-10%  
maximum flash duration 1 ms

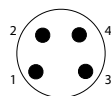
### environmental conditions

operating temperature max. 50 °C

### dimension drawing



### pin assignment



| M8 | signal                     |
|----|----------------------------|
| 1: | LED +24V (pulsing 24-48 V) |
| 2: | N.C.                       |
| 3: | LED - (GND)                |
| 4: | N.C.                       |