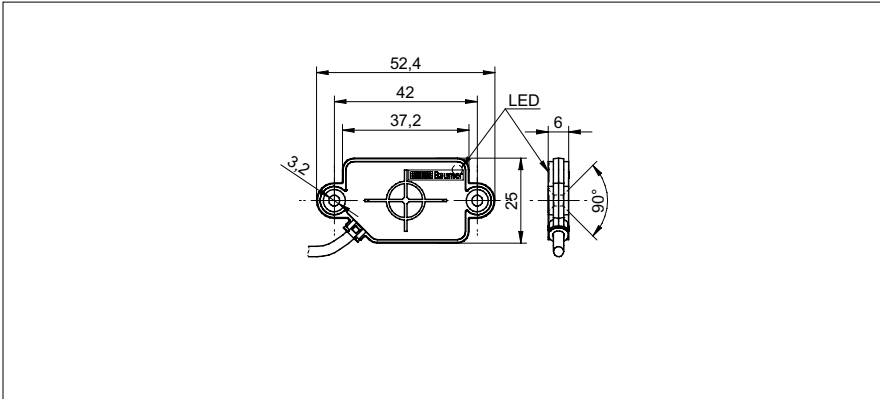


**Capacitive proximity sensors**

**CFDK 25G3125/LN4**

**dimension drawing**



**general data**

nominal sensing distance $S_n$	8 mm
mounting type	flush
GND electrode	no
temperature drift	$\pm 20 \%$
sensitivity adjustment	no
output indicator	LED red

**electrical data**

voltage supply range +Vs	10 ... 30 VDC
current consumption max. (no load)	15 mA
output function	active low
output circuit	push-pull
output current	< 100 mA
voltage drop Vd	< 3 VDC
switching frequency	< 35 Hz
short circuit protection	yes
reverse polarity protection	yes

**mechanical data**

type	rectangular
housing material	PA 12
dimension	25 mm
housing length	52,4 mm
depth	6 mm
connection types	cable PVC 3 x 0,14, 2 m

**ambient conditions**

operating temperature	-25 ... +75 °C
protection class	IP 65

**field of application**

detection of non-conductive media	yes
fill level detection through container	yes
liquids in direct contact	no
object detection / bulk goods	yes

**photo**



**connection diagram**

