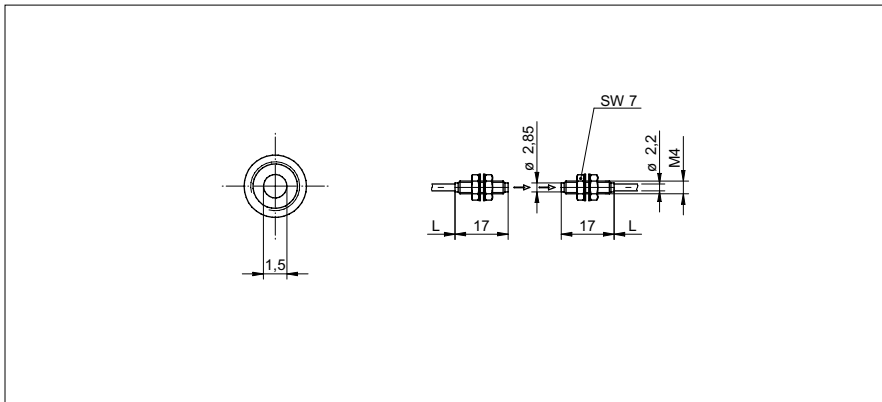


Through beam fiber optics

FSB 200C1Y00

dimension drawing



general data

particular characteristics	heat resistant
type	through beam sensor
actual range Sb	1200 mm
response time / release time	0,05 ... 5 ms
type of head (fiber optic cable)	cylindrical threaded (axial)
width / diameter (head)	4 mm
height / length (head)	17 mm
material (head)	stainless steel
bending radius	35 mm
cable jacket diameter	2,2 mm
material cable jacket	PE
material (fiber optic cable)	plastic
length (fiber optic cable)	2000 mm
operating temperature	-60 ... +150 °C

photo



Sensing distance/response time:
For the definitive sensing distance/response time please see table below "fitting fiber optic sensors".



fitting fiber optic sensors	actual range Sb (0,05 ms)	actual range Sb (0,25 ms)	actual range Sb (1 ms)	actual range Sb (5 ms)
FVDK 67 (standard version)	200 mm (HS)	-	800 mm (nL)	1200 mm (HP)
FVDK 67 (2 adjustable outputs)	200 mm (HS)	-	800 mm (nL)	1200 mm (HP)
FVDK 67 (master/slave)	200 mm (HS)	-	800 mm (nL)	1200 mm (HP)
FVDK 66 (standard version)	-	240 mm (FT)	410 mm (nL)	-
FVDK 66 (master/slave)	-	240 mm (FT)	10 mm (nL)	-
FVDK 22	-	-	310 mm (nL)	-
FVDK 12	-	-	310 mm (nL)	-
FVDK 12 (fast version)	292 mm (HS)	-	-	-
FVDK 10	-	-	160 mm (nL)	-
FWDK 84 (analog output)	-	-	85 mm (nL)	-

operating modes
 HS High Speed
 FT fast
 nL Standard
 HP High Sensitivity