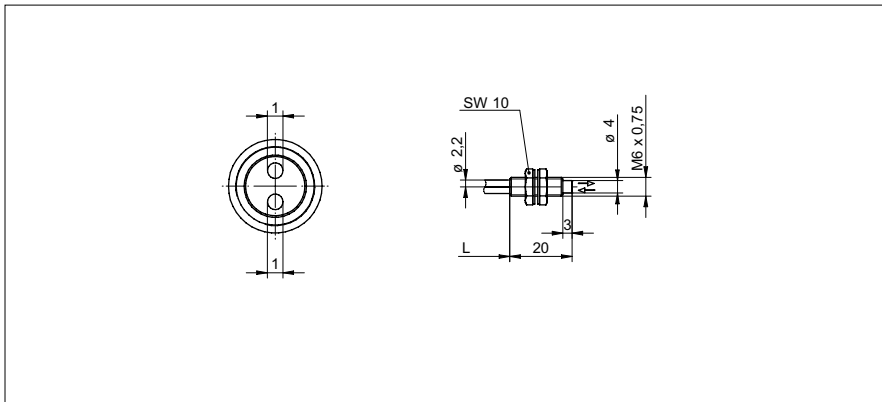


**Diffuse sensors fiber optics**

**FUA 200C1Y00**

**dimension drawing**



**general data**

particular characteristics	heat resistant
type	Diffuse sensors
sensing distance Tw	1 ... 200 mm
response time / release time	0,05 ... 5 ms
type of head (fiber optic cable)	cylindrical threaded (axial)
width / diameter (head)	6 mm
height / length (head)	20 mm
material (head)	stainless steel
bending radius	25 mm
cable jacket diameter	2,2 mm
material cable jacket	PE
material (fiber optic cable)	plastic
length (fiber optic cable)	2000 mm
operating temperature	-30 ... +105 °C

**photo**



Sensing distance/response time:  
For the definitive sensing distance/response time please see table below "fitting fiber optic sensors".



fitting fiber optic sensors	sensing distance Tw (0,05 ms)	sensing distance Tw (0,25 ms)	sensing distance Tw (1 ms)	sensing distance Tw (5 ms)
FVDK 67 (standard version)	1 ... 43 mm (HS)	-	1 ... 190 mm (nL)	1 ... 200 mm (HP)
FVDK 67 (2 adjustable outputs)	1 ... 43 mm (HS)	-	1 ... 190 mm (nL)	1 ... 200 mm (HP)
FVDK 67 (master/slave)	1 ... 43 mm (HS)	-	1 ... 190 mm (nL)	1 ... 200 mm (HP)
FVDK 66 (standard version)	-	1 ... 55 mm (FT)	1 ... 100 mm (nL)	-
FVDK 66 (master/slave)	-	1 ... 55 mm (FT)	1 ... 100 mm (nL)	-
FVDK 22	-	-	1 ... 70 mm (nL)	-
FVDK 12	-	-	1 ... 70 mm (nL)	-
FVDK 12 (fast version)	1 ... 66 mm (HS)	-	-	-
FVDK 10	-	-	1 ... 40 mm (nL)	-
FWDK 84 (analog output)	-	-	1 ... 18 mm (nL)	-

operating modes  
 HS High Speed  
 FT fast  
 nL Standard  
 HP High Sensitivity