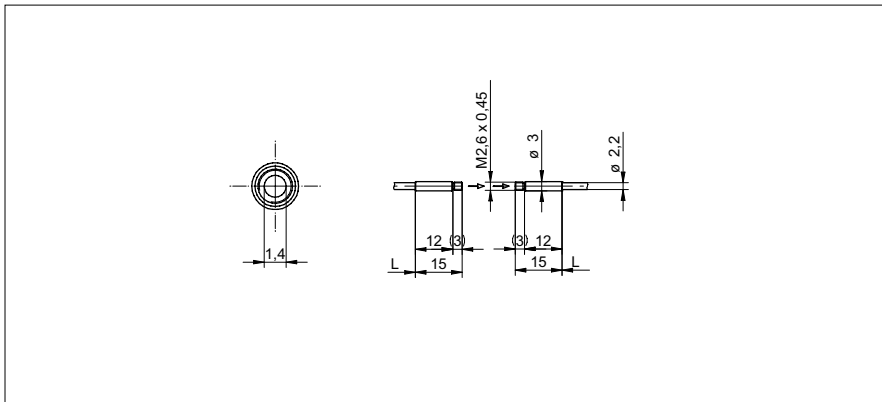


Through beam fiber optics

FWE 200C2Y00

dimension drawing



general data

type	through beam sensor
actual range Sb	2350 mm
response time / release time	0,05 ... 5 ms
type of head (fiber optic cable)	cylindrical smooth (axial)
width / diameter (head)	3 mm
height / length (head)	15 mm
material (head)	stainless steel
bending radius	20 mm
cable jacket diameter	2,2 mm
material cable jacket	PE
material (fiber optic cable)	plastic
length (fiber optic cable)	2000 mm
operating temperature	-30 ... +70 °C

photo



Sensing distance/response time:

For the definitive sensing distance/response time please see table below "fitting fiber optic sensors".



fitting fiber optic sensors	actual range Sb (0,05 ms)	actual range Sb (0,25 ms)	actual range Sb (1 ms)	actual range Sb (5 ms)
FVDK 67 (standard version)	360 mm (HS)	-	1450 mm (nL)	2350 mm (HP)
FVDK 67 (2 adjustable outputs)	360 mm (HS)	-	1450 mm (nL)	2350 mm (HP)
FVDK 67 (master/slave)	360 mm (HS)	-	1450 mm (nL)	2350 mm (HP)
FVDK 66 (standard version)	-	450 mm (FT)	770 mm (nL)	-
FVDK 66 (master/slave)	-	450 mm (FT)	770 mm (nL)	-
FVDK 22	-	-	680 mm (nL)	-
FVDK 12	-	-	680 mm (nL)	-
FVDK 12 (fast version)	642 mm (HS)	-	-	-
FVDK 10	-	-	300 mm (nL)	-
FWDK 84 (analog output)	-	-	-	-

operating modes
 HS High Speed
 FT fast
 nL Standard
 HP High Sensitivity