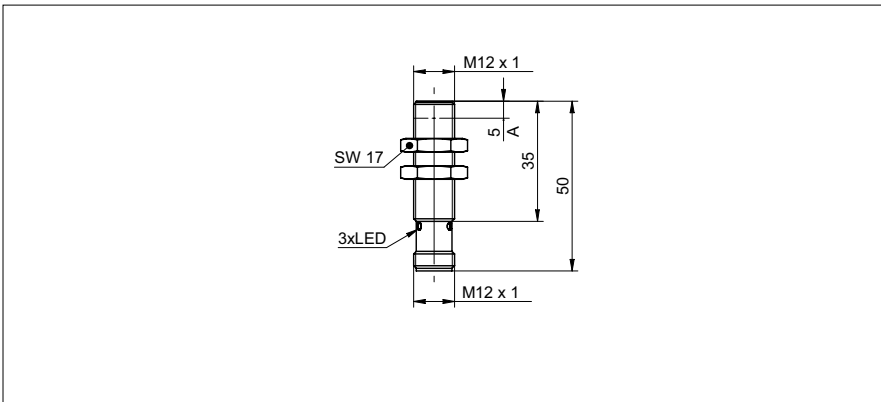


Inductive proximity switch

IR12.P06S-11148587

dimension drawing



general data

| | |
|--------------------------------|---|
| mounting type | flush |
| special type | enhanced distance (GammaProX) |
| nominal sensing distance S_n | 6 mm |
| temperature drift | $\pm 10 \%$ |
| hysteresis | 3 ... 20 % of S_r |
| output indicator | 3 port LED red |
| correction factor typ. | mild steel 100 %, stainless steel 75 %, aluminum 45 % |

electrical data

| | |
|------------------------------------|------------------------|
| switching frequency | < 1 kHz |
| voltage supply range +Vs | 6 ... 36 VDC |
| current consumption max. (no load) | 10 mA |
| output circuit | PNP make function (NO) |
| voltage drop V_d | < 2 VDC |
| output current | < 100 mA |
| short circuit protection | yes |
| reverse polarity protection | yes |

mechanical data

| | |
|-------------------------|----------------------|
| type | cylindrical threaded |
| material (sensing face) | PBT |
| housing material | brass nickel plated |
| dimension | 12 mm |
| housing length | 50 mm |
| connection types | connector M12 |
| tightening torque max. | 15 Nm (A: 10 Nm) |

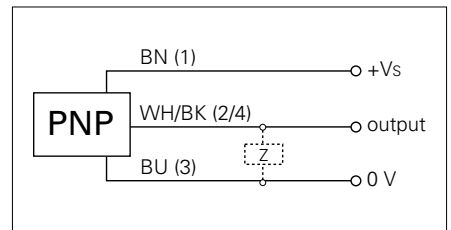
ambient conditions

| | |
|-----------------------|----------------|
| operating temperature | -25 ... +75 °C |
| protection class | IP 67 |

photo



connection diagram

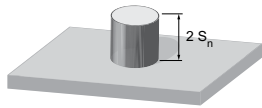


- triple sensing distance

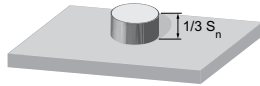
Inductive proximity switch

IR12.P06S-11148587

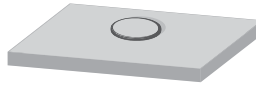
correction factors for different mounting situations (approx.)



| Mounting material | Correction factor |
|-------------------|-------------------|
| Mild steel | 100 % |
| Stainless steel | 100 % |
| Aluminum | 100 % |



| Mounting material | Correction factor |
|-------------------|-------------------|
| Mild steel | 100 % |
| Stainless steel | 95 % |
| Aluminum | 95 % |



| Mounting material | Correction factor |
|-------------------|-------------------|
| Mild steel | not possible |
| Stainless steel | 95 % |
| Aluminum | 80 % |

mounting instructions

