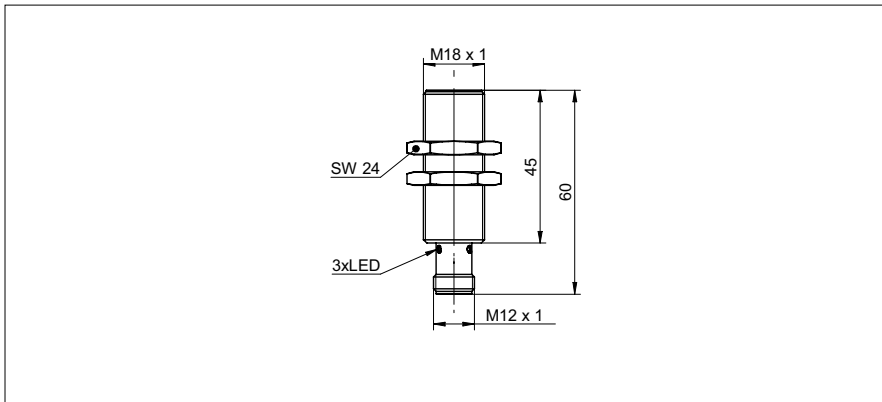


Inductive distance measuring sensors

IR18.D10L-11193949

dimension drawing



general data

mounting type	flush
special type	linearized
type	distance measuring
measuring distance Sd	0 ... 10 mm
resolution	< 0,005 mm (High Accuracy Mode)
repeat accuracy	< 0,015 mm
adjustment	IO-Link
teach	Single point, Two point, Window
linearity error	± 40 µm (S = 0 ... 8 mm) ± 160 µm (S = 0 ... 10 mm)
temperature drift	± 3 % (Full Scale)
hysteresis	0 ... 99 % (adjustable)
power on indication	LED green
output indicator	LED yellow

electrical data

response time (factory characteristic)	< 1 ms
switching frequency	< 800 Hz
voltage supply range +Vs	8 ... 36 VDC
current consumption max. (no load)	15 mA
output circuit	push-pull / IO-Link
output current	< 100 mA
short circuit protection	yes
reverse polarity protection	yes

mechanical data

type	cylindrical threaded
housing material	brass nickel plated
dimension	18 mm
housing length	60 mm
connection types	connector M12
tightening torque max.	40 Nm

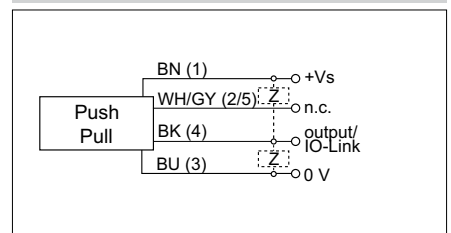
ambient conditions

operating temperature	-25 ... +75 °C
protection class	IP 67

photo



connection diagram



Inductive distance measuring sensors

IR18.D10L-11193949

communications interface

interface	IO-Link V1.1
baud rate	230,4 kBaud (COM 3)
cycle time	≥ 0,6 ms
process data length	32 Bit
process data structure	Bit 0 = SSC1 (distance) Bit 1 = SSC2 (distance) Bit 3 = alarm Bit 4 = SSC3 (frequency) Bit 5 = SSC4 (counter) Bit 16-31 = 16 Bit measurement
IO-Link port type	Class A
adjustable parameters	measuring range switching point switching hysteresis measured value filtering time filters LED status indicators output logic output circuit counter deactivate the sensor element Find Me function
additional data	distance frequency operating cycles operating hours boot cycles operating voltage device temperature histograms

resolution

