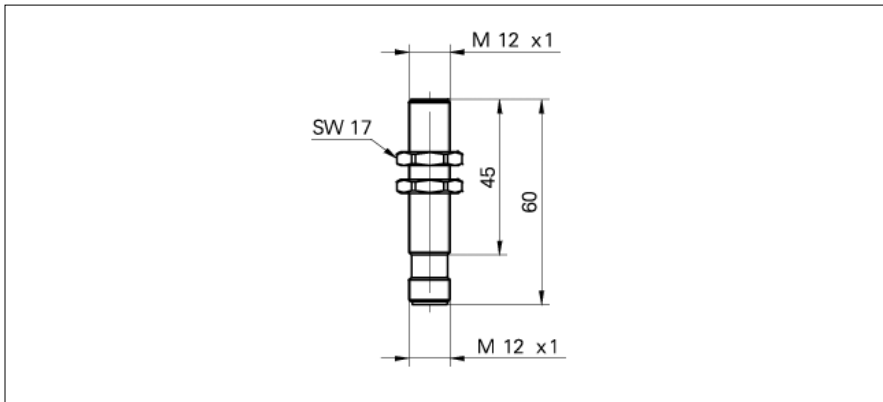


**Hall sensors**

**MHRM 12G5501/S14**

**dimension drawing**



**general data**

sensor type	hall sensor
working distance max.	<0,7 mm (module 1), <2,4 mm (module 3)
min. gear size	> module 1
gear width	> 6 mm
gear material	ferromagnetic

**electrical data**

switching frequency range	0 ... 15 kHz
voltage supply range +Vs	8 ... 28 VDC
current consumption max. (no load)	20 mA
output A	push-pull
output B	none
output current	< 30 mA
voltage drop Vd	< 5 VDC
short circuit protection	yes
reverse polarity protection	yes, Vs to GND

**mechanical data**

type	cylindrical threaded
housing material	brass nickel plated
dimension	12 mm
housing length	60 mm
connection types	connector
material (sensing face)	PBTP

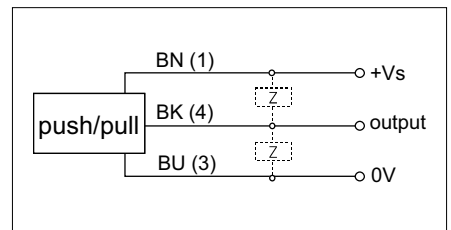
**ambient conditions**

operating temperature	-40 ... +85 °C
protection class (sensing face)	IP 67
protection class (sensor)	IP 67

**photo**



**connection diagram**



- Mounting rotationally symmetric