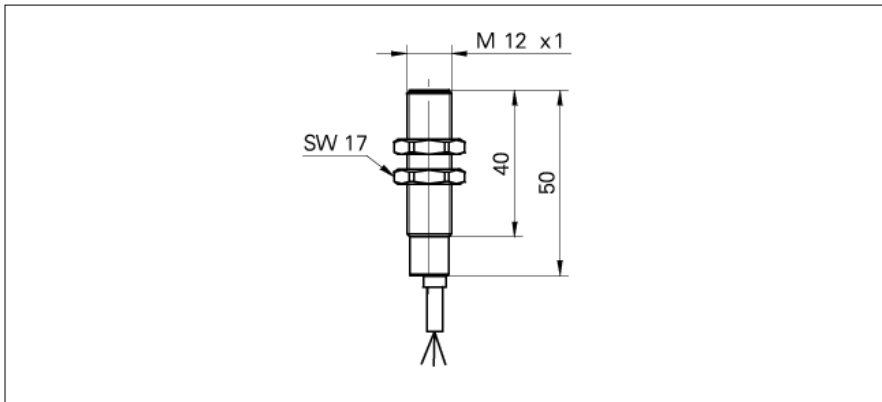


Hall sensors

MHRM 12G5501

dimension drawing



general data

sensor type	hall sensor
working distance max.	<0,7 mm (module 1), <2,4 mm (module 3)
min. gear size	> module 1
gear width	> 6 mm
gear material	ferromagnetic

electrical data

switching frequency range	0 ... 15 kHz
voltage supply range +Vs	8 ... 28 VDC
current consumption max. (no load)	20 mA
output A	push-pull
output B	none
output current	< 30 mA
voltage drop Vd	< 5 VDC
short circuit protection	yes
reverse polarity protection	yes, Vs to GND

mechanical data

type	cylindrical threaded
housing material	brass nickel plated
dimension	12 mm
housing length	50 mm
connection types	cable PUR, 2 m
material (sensing face)	PBTP

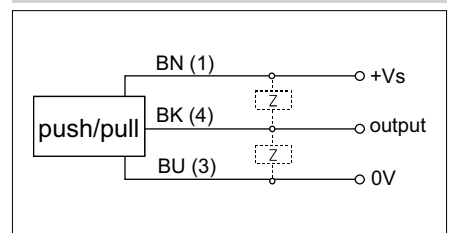
ambient conditions

operating temperature	-40 ... +85 °C
protection class (sensing face)	IP 67
protection class (sensor)	IP 67

photo



connection diagram



- Mounting rotationally symmetric