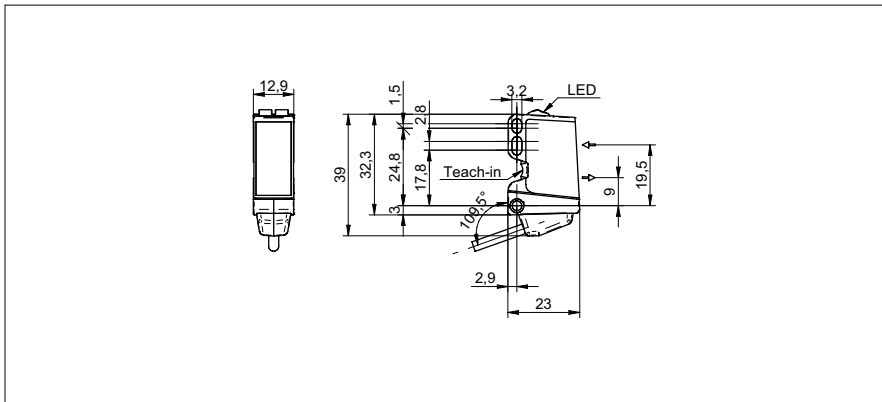


Distance sensors

O300.DL-11199078

dimension drawing



general data

type	distance measuring
version	IO-Link measuring
measuring distance Sd	30 ... 250 mm
focal distance	400 mm
adjustment	Teach-in and IO-Link
power on indication	LED green
light indicator	LED yellow
resolution	0,5 ... 10 mm
linearity error	± 1,5 ... ± 12,5 mm
light source	pulsed red laser diode
wave length	656 nm
laser class	1
beam type	point
suppression of reciprocal influence	yes
alignment optical axis	< 2°
temperature drift	< 0,2 % Sde/K

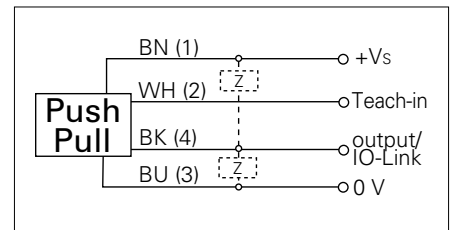
electrical data

response time / release time	< 0,25 ms
voltage supply range +Vs	11 ... 30 VDC
current consumption max. (no load)	30 mA
voltage drop Vd	< 2,5 VDC
output circuit	push-pull
baud rate	230,4 kBaud (COM 3)
output current	< 100 mA
short circuit protection	yes
reverse polarity protection	yes
interface	IO-Link V1.1
cycle time	≥ 0,6 ms
process data length	3 Byte
process data structure	Bit 0 = BDC1 Bit 2 = quality Bit 3 = alarm Bit 8-23 = 16 Bit measurement

photo



connection diagram



laser warning

CLASS 1 LASER PRODUCT

IEC 60825-1/2014
Complies with 21 CFR 1040.10 and 1040.11
except for deviations pursuant to laser
notice No. 50, dated June 24, 2007



Distance sensors**O300.DL-11199078****mechanical data**

width / diameter	12,9 mm
height / length	32,3 mm
depth	23 mm
type	rectangular
housing material	plastic (ASA, PMMA)
front (optics)	PMMA
connection types	cable 4 pin, 2 m

ambient conditions

operating temperature	-10 ... +60 °C
protection class	IP 67