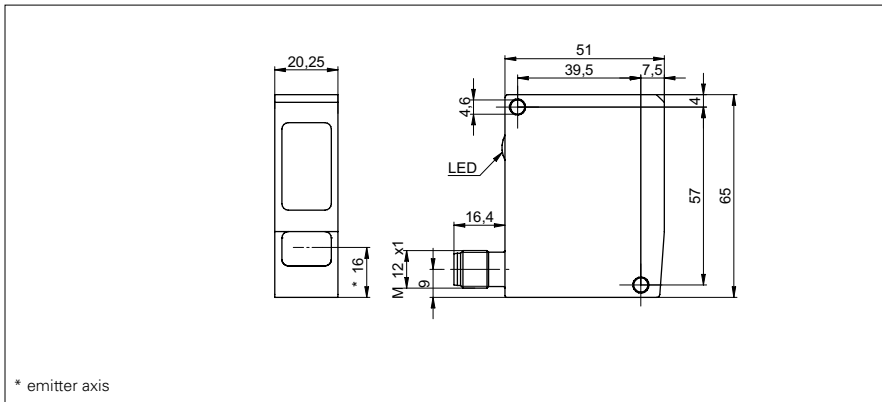


**Distance sensors**

**OADR 20I6486/S14F**

**dimension drawing**



**general data**

measuring distance Sd	200 ... 1000 mm
special type	Washdown design
adjustment	external
Teach-in range min.	> 20 mm
power on indication	LED green
soiled lens indicator	LED red
resolution	0,12 ... 2,5 mm
linearity error	± 0,48 ... ± 10 mm
light source	pulsed red laser diode
wave length	650 nm
laser class	2
beam type	point
beam diameter	2 mm
temperature drift	< 0,06 % Sde/K
approvals/certificates	Ecolab

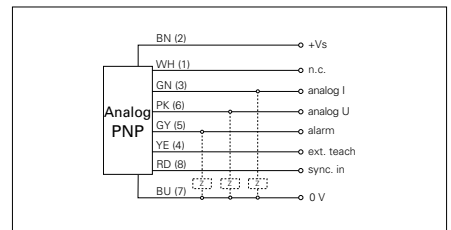
**photo**




**electrical data**

response time / release time	< 0,9 ms
voltage supply range +Vs	12 ... 28 VDC
current consumption max. (no load)	100 mA
output circuit	analog
output signal	4 ... 20 mA / 0 ... 10 VDC
load resistance (analog I)	< (+Vs - 6 V) / 0,02 A
load resistance (analog U)	> 100 kOhm
output current	< 100 mA
alarm output	PNP
short circuit protection	yes
reverse polarity protection	yes, Vs to GND

**connection diagram**



**laser warning**



**LASER RADIATION**  
**DO NOT STARE INTO BEAM**  
 Wavelength: 640...670nm  
 IEC 60825-1, Ed. 3, 2014  
**CLASS 2 LASER PRODUCT**

Complies with 21 CFR 1040.10 and 1040.11 except for deviations pursuant to laser notice No. 50, dated June 24, 2007

**Distance sensors**
**OADR 20I6486/S14F**
*proTect*<sup>+</sup>

<b>mechanical data</b>	
width / diameter	20,3 mm
height / length	65 mm
depth	51 mm
type	rectangular
housing material	stainless steel 1.4404 (V4A)
front (optics)	PMMA
connection types	connector M12 8 pin
<b>ambient conditions</b>	
ambient light immunity	< 5 kLux
operating temperature	0 ... +50 °C
protection class	IP 69K & proTect+



- Sensor FDA compliant and Ecolab approved
- sensitivity adjustable: via Teach-in wire input
- For objects with a reflectivity < 7 % (OADR 20I6x85/S14F) the response time/ release time is increased automatically up to 2.8 ms.