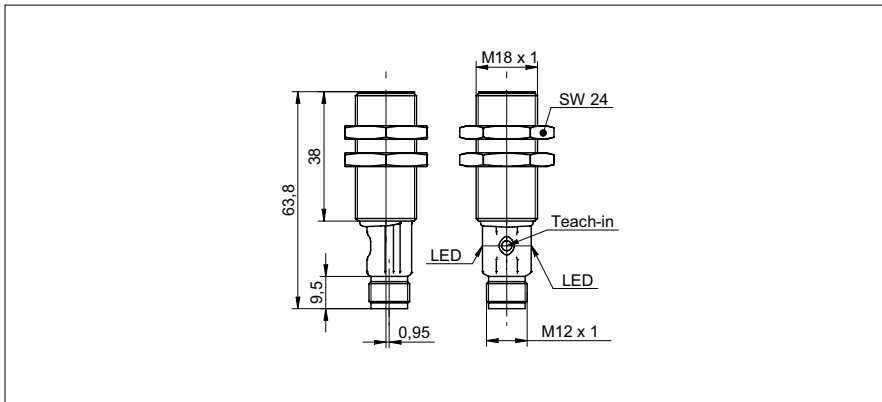


Ultrasonic distance measuring sensors

UR18.DA0-11135775

dimension drawing



general data

scanning range Sd	100 ... 1000 mm
scanning range close limit Sdc	100 ... 1000 mm
scanning range far limit Sde	100 ... 1000 mm
repeat accuracy	< 0,5 mm
resolution	< 0,3 mm
response time ton	< 80 ms
release time toff	< 80 ms
temperature drift	< 2 % of distance to target So
power-up drift	compensated after 10 min.
sonic frequency	220 kHz
adjustment	qTeach
alignment aid	light indicator flashing
light indicator	LED yellow
power on indication	LED green
alignment measuring axis	< 2°

electrical data

voltage supply range +Vs	12 ... 30 VDC
current consumption typ.	38 mA
output circuit	current output
output signal	4 ... 20 mA / 20 ... 4 mA
residual ripple	< 10 % Vs
short circuit protection	yes
reverse polarity protection	yes, Vs to GND

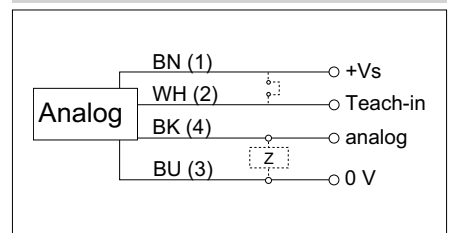
mechanical data

type	cylindrical threaded
housing material	brass nickel plated / TR90
width / diameter	18 mm
height / length	64 mm
connection types	connector M12

photo



connection diagram



UL.eps

Ultrasonic distance measuring sensors

UR18.DA0-11135775

ambient conditions

operating temperature	-25 ... +60 °C
storage temperature	-40 ... +85 °C
protection class	IP 67

typical sonic cone profile

