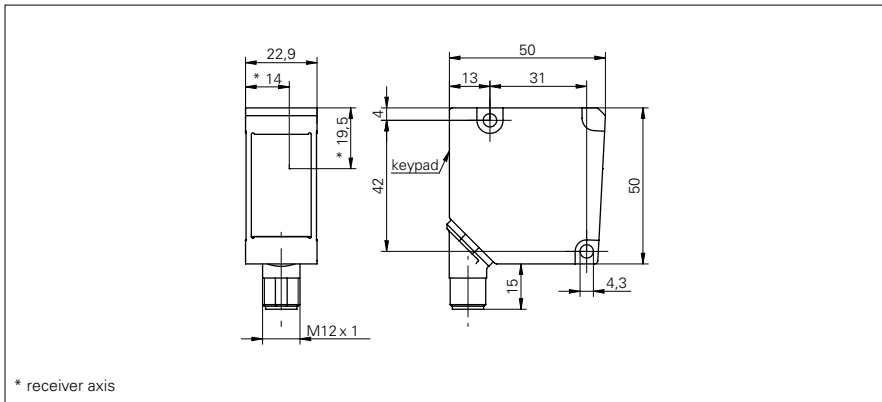


Edge sensors

ZADM 023H871.0002

dimension drawing



general data

| | |
|--|---|
| type | measuring mode: edges, center, width |
| version | without filter, therefore not for transparent objects |
| measuring field size (dep. on measuring dist.) | 400 ... 875 mm |
| measuring distance (to object) | 640 ... 1400 mm |
| measuring frequency | 500 Hz |
| resolution | 0,5 ... 1 mm |
| smallest object recognizable | 8,5 ... 18 mm |
| linearity error relative | < 0,3 % |
| light source | pulsed infrared diode |
| wave length | 880 nm |
| adjustment | Teach-in |

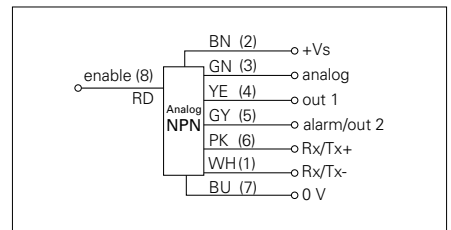
photo



electrical data

| | |
|------------------------------------|-------------------|
| response time | < 2 ms |
| voltage supply range +Vs | 15 ... 28 VDC |
| current consumption max. (no load) | 150 mA |
| output signal | 4 ... 20 mA |
| switching output | NPN |
| output function | Out 1 / Alarm |
| output current | < 100 mA |
| interface | analog and RS 485 |
| baud rate | 19200, adjustable |
| reverse polarity protection | yes, Vs to GND |
| short circuit protection | yes |

connection diagram



mechanical data

| | |
|------------------|--------------------------------|
| width / diameter | 23 mm |
| type | rectangular |
| housing material | die-cast zinc |
| front (optics) | glass |
| connection types | connector M12 8 pin, rotatable |

ambient conditions

| | |
|-----------------------|--------------|
| operating temperature | 0 ... +55 °C |
| protection class | IP 67 |

