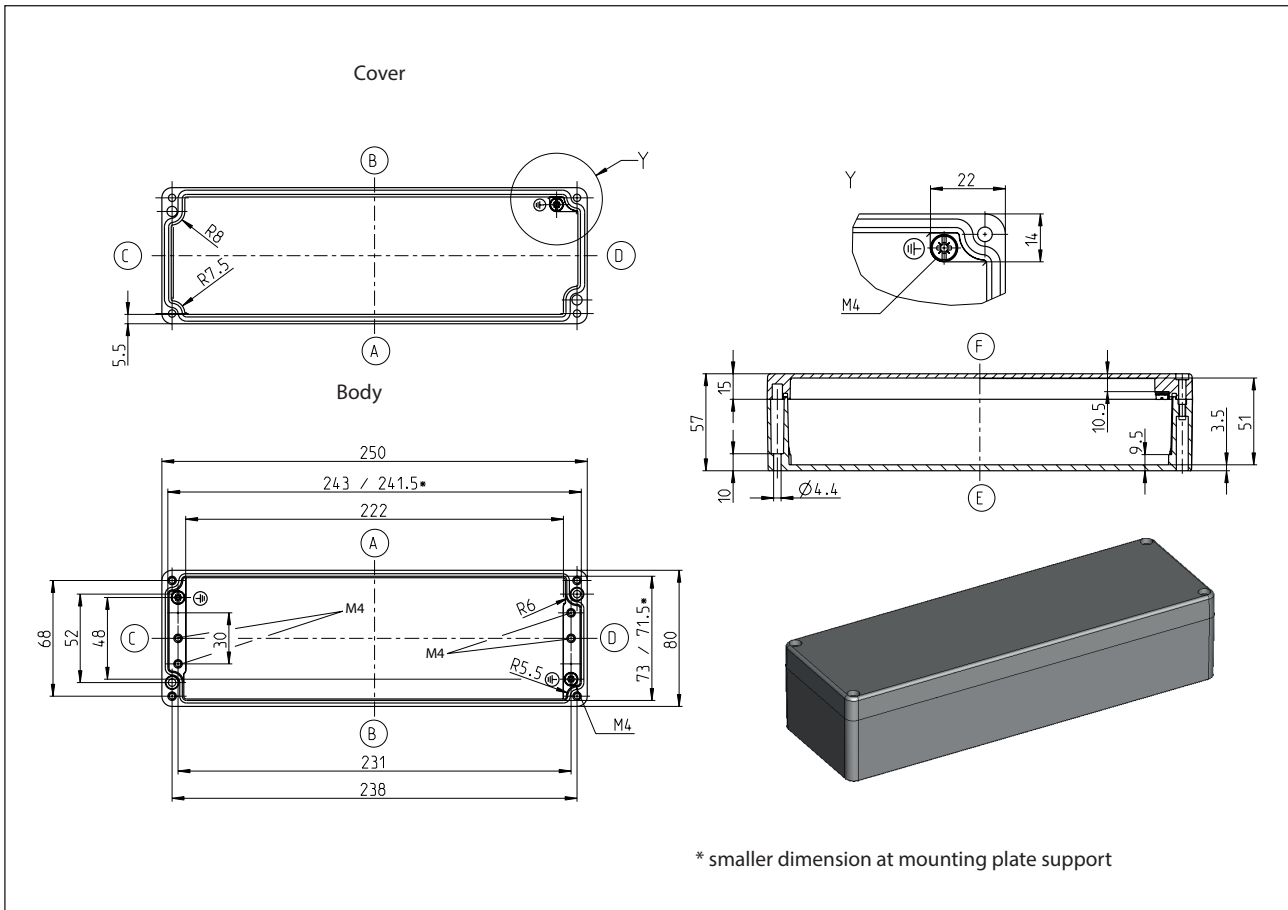


# Technical data



## Standard enclosure Series CA


Designation CA-190 Article number 119000000



| <b>Standard version</b>                             |  |
|---|--|
| Scope of supply:                                    |  |
| Base of enclosure                                   |  |
| Enclosure cover                                     |  |
| Cover screws (cross recessed head) enclosed loosely |  |
| Earthing screws in the lower part and in the cover  |  |
| Colour RAL 7001 (silver grey)                       |  |
| Cover gasket PUR (polyurethane)                     |  |
| Individually packaged in foil                       |  |

| <b>Maximum possible number of thread (figures for identical diameter, not mixed!)</b> |     |     |     |     |     |     |     |     |
|---|-----|-----|-----|-----|-----|-----|-----|-----|
| ISO M   | M12 | M16 | M20 | M25 | M32 | M40 | M50 | M63 |
| Page A/B  | 22  | 9   | 7   | 5   | 0   | 0   | 0   | 0   |
| Page C/D  | 3   | 2   | 1   | 0   | 0   | 0   | 0   | 0   |

| <b>Property chart CA-190</b>                                   |                                    |                                  |  |
|--|------------------------------------|----------------------------------|--|
| <b>Specification</b>   | <b>Value</b>                       | <b>According to the standard</b> | <b>Remark</b>  |
| <b>General data:</b>   |                                    |                                  |  |
| Weight   | 710 g                              |                                  |  |
| External dimensions  | 250 x 80 x 57                      |                                  |  |
| Protection classes   |                                    |                                  |  |
| IP-code  | IP66                               | EN 60529                         |  |
| IP-code  | IP67                               | EN 60529                         |  |
| IK-code  | IK09                               | IEC 62262                        |  |
| Material   |                                    |                                  |  |
| Enclosure  | EN AC-ALSi12Cu1(Fe)<br>EN AC-47100 | DIN EN 1706:05/98                | Alumimium presssure die-casting Alloy 231                |
| Screws   | A2-50                              | DIN EN ISO 3506-1                | Cover screws   |
| Gasket   | PUR (Polyurethan)                  |                                  | Colour: dark grey, 2-component polyurethane foam seal    |
| Toxic behaviour  | halogen-free                       |                                  |  |
| <b>Mechanical properties:</b>                                  |                                    |                                  |  |
| Torques  |                                    |                                  |  |
| Cover screws   | 2,0 Nm                             |                                  |  |
| Earthing screws  | 2,0 Nm<br>2,0 Nm                   |                                  | Body<br>Cover  |
| Attachment of accessories                                      | 2,0 Nm                             |                                  | for ex. mounting plates, mounting rails                  |
| Other mounting   | 2,0 Nm                             |                                  | Screw channel  |
| Maximum installation weight                                    | 0,8 kg                             |                                  |  |
| <b>Thermal properties:</b>                                     |                                    |                                  |  |
| Temperature range  |                                    |                                  |  |
| Enclosure complete   | -30 °C bis +80 °C                  |                                  | Standard powder-coated enclosure                         |
| PUR-seal   | -40 °C bis +100 °C                 |                                  |  |
| Ambient temperature<br>Indoor application                      | -5°C bis +40°C                     | DIN EN 62208                     | On the average over 24h +35°C                            |
| Thermal conductivity value                                     | 2,89 K/W                           |                                  | taking account of effective dissipation loss             |
| Relative humidity  |                                    |                                  |  |
| Indoor application   | max. 50% bei +40°C                 | DIN EN 62208                     | with low temperatures also higher (for ex. 90% at +20°C) |
| Storage temperature  | -20°C bis +60°C                    |                                  |  |
| <b>Chemical properties:</b>                                    |                                    |                                  |  |
| Corrosion resistance   | Severity level A                   | DIN EN 62208/9.13.2.1            | IEC 60068-2-30 and IEC 60068-2-11                        |
| Corrosion resistance   | Severity level B                   | DIN EN 62208/9.13.2.2            | IEC 60068-2-30 and IEC 60068-2-11                        |
| Resistance lists for enclosure materials and seals see catalog |                                    |                                  |  |

| <b>Property chart CA-190</b>       |                                      |                                  |  |
|------------------------------------|--------------------------------------|----------------------------------|--|
| <b>Specification</b>               | <b>Value</b>                         | <b>According to the standard</b> | <b>Remark</b>  |
| <b>Electrical characteristics:</b> |                                      |                                  |  |
| Protection class                   | I                                    | EN 61140 / VDE 0140-1            |  Protection by protective conductor |
| Rated voltage                      | max. 1000 V (AC)<br>max. 1500 V (DC) |                                  |  |
| <b>More details:</b>               |                                      |                                  |  |
| General tolerance                  | GTA 13/5                             | DIN 1688                         | Cast part tolerances   |
| General tolerance                  | mH                                   | ISO 2768                         | Machining tolerances   |
| Product standard                   | Yes                                  | DIN EN 62208                     | Empty enclosures for low-voltage switchgear assemblies   |
| <b>Approvals</b>                   |                                      |                                  |  |
| c UL us                            | No                                   | UL508A / C22.2                   | Typ 1, 4, 4x, 12, 13   |
| <b>Compliances</b>                 |                                      |                                  |  |
| RoHs                               | compliant                            | Directive 2011/65/EU             |  |
| CE label                           | compliant                            | EG-Nr. 765/2008                  |  |
| Low-Voltage-Directive No.:         | 2014/35/EU                           |                                  |  |