

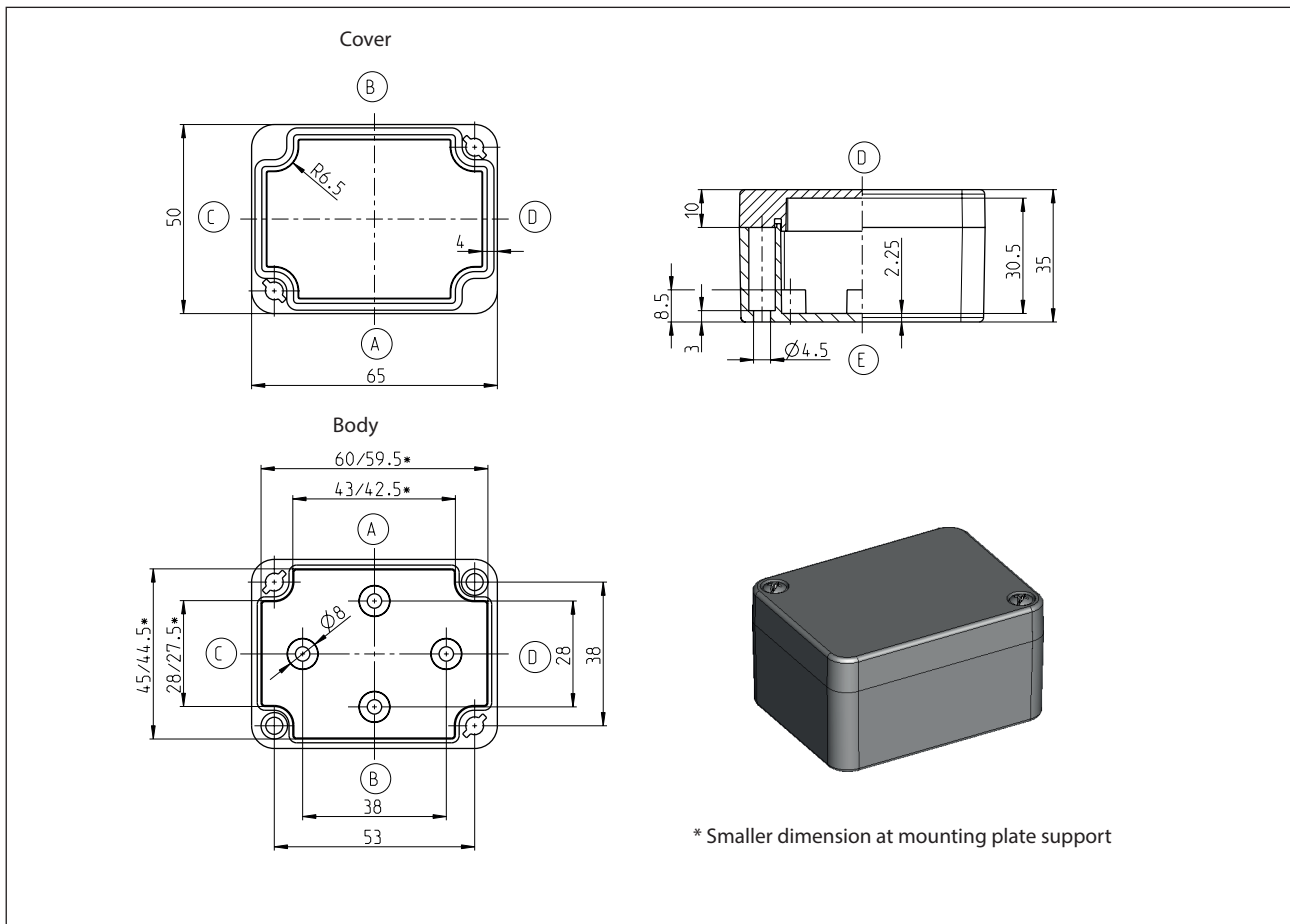
Technical data



Standard enclosure Series CT (Polycarbonate)

Designation CT-521 Polycarbonate

Article number 252000000



Standard version

Scope of supply:

Base of enclosure

Enclosure cover

Quick-release screw (cross recessed head) enclosed loosely

Colour RAL 7035 (light grey)

Cover gasket EPDM

Internal mounting plugs for selftapping screws (are included)

Individually packaged in foil

Maximum possible number of thread (figures for identical diameter, not mixed!)


| ISO M | M12 | M16 | M20 | M25 | M32 | M40 | M50 | M63 |
|----------|-----|-----|-----|-----|-----|-----|-----|-----|
| Page A/B | 2 | 0 | 0 | 0 | 0 | 0 | 0 | 0 |
| Page C/D | 0 | 0 | 0 | 0 | 0 | 0 | 0 | 0 |

BERNSTEIN AG · Hans-Bernstein-Straße 1 · 32457 Porta Westfalica · www.bernstein.eu

Technical modifications and errors reserved.

This datasheet corresponds to the technical state of 2016-07-05 and is not collected whenever there are any changes.

| Property chart CT-521 | | | |
|-----------------------------------------------|---------------------|----------------------------------|----------------------------------------------------------|
| Specification | Value | According to the standard | Remark |
| General data: | | | |
| Weight | 50 g | | |
| External dimensions | 65 x 50 x 35 | | |
| Protection classes | | | |
| IP code | IP 65 | EN 60529 | |
| IK code | IK 06 | IEC 62262 | |
| Material | | | |
| Enclosure | Polycarbonat (PC) | | light grey |
| Quick-release fastener | 1.4303 | | DIN EN 10088-3 |
| Cross-recessed pan head tapping screws | ST | | galvanised |
| Seal | EPDM | | Colour: dark grey, 2-component polyurethane foam seal |
| Toxic behaviour | halogen-free | | |
| Thermal properties: | | | |
| Fire behaviour | | | |
| Flammability | V-2 | UL 94 | Contentwise alike with EC60695-11-10 and IEC60695-11-20 |
| glow wire test | 960°C ; 2 mm | IEC 60695-2-12 | |
| glow wire test | 900°C ; 1mm | IEC 60695-2-12 | |
| glow wire test | | | |
| Temperature range | | | |
| Enclosure complete | -35 °C bis +100 °C | | |
| Enclosure material | -40 °C bis +120 °C | | |
| Seal EPDM | -35 °C bis +100 °C | | |
| Temperature index Enclosure material | | | |
| RTI (tensile strength) | 80 °C | UL 746 B | |
| RTI (impact strength) | 80 °C | UL 746 B | |
| RTI (dielectric strength) | 80 °C | UL 746 B | |
| Ambient temperatur according to DIN EN 62208 | | | |
| Indoor application | -5 °C bis +40 °C | DIN EN 62208 | On the average over 24h +35°C |
| Relative humidity according to DIN EN 62208 | | | |
| Indoor application | max. 50% bei +40 °C | DIN EN 62208 | with low temperatures also higher (for ex. 90% at +20°C) |
| Storage temperature | -20 °C bis +60 °C | | |
| Enclosure-specific thermal conductivity value | 16,86 K/W | | taking account of effective dissipation loss |

| Property chart CT-521 | | | |
|------------------------------------|----------------------|----------------------------------|-----------------------------------------------------------------------------------------------------------------------------------|
| Specification | Value | According to the standard | Remark |
| Mechanical properties: | | | |
| Torques | | | |
| quick – release screw | 1/4 Rotation | | |
| Attachment of accessories | 1,0 Nm | | for ex. mounting plates, mounting rails |
| Other mounting | - Nm | | Screw channel, External mounting brackets |
| Maximum installation weight | 0,1 kg | | |
| Electrical characteristics: | | | |
| Protection class | II | EN 61140 / VDE 0140-1 |  Protection by double or reinforced insulation |
| Rated voltage | max. 1000V | | Maximum length of the extension arm |
| Surface resistivity | 10 ¹⁵ Ohm | IEC 60093 | |
| Dielectric strength | 33 kV/mm | IEC 60243-1 | |
| More details: | | | |
| General tolerance | mH | ISO 2768 | |
| Product standard | Yes | DIN EN 62208 | Empty enclosures for low-voltage switchgear assemblies |
| Approvals | | | |
| c UL us | Yes | UL508A / C22,2 | Typ 1, 4, 4x indoor |
| Compliances | | | |
| RoHs | Yes | Directive 2011/65/EU | |
| CE label | Yes | EC-No 765/2008 | |
| Low-Voltage-Directive No.: | 2014/35/EU | | |