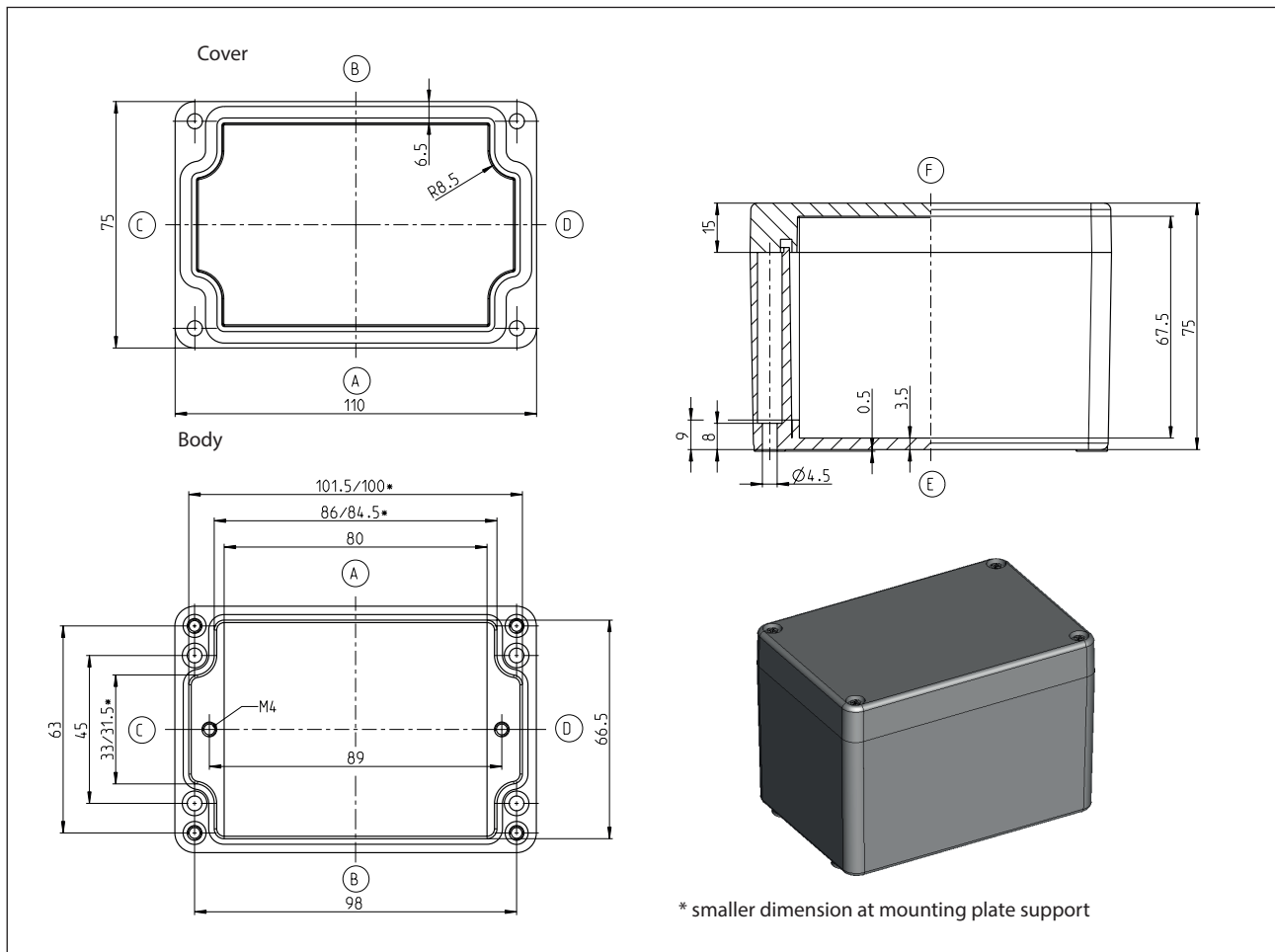


**Standard enclosure**

Series CPG

**Designation CPG-155** **Article number 415000050**



| <b>Standard version</b>                             |  |
|---|--|
| Scope of supply:                                    |  |
| Base of enclosure                                   |  |
| Enclosure cover                                     |  |
| Cover screws (cross recessed head) enclosed loosely |  |
| Colour RAL 7001 (silver grey)                       |  |
| Cover gasket PUR (polyurethane)                     |  |
| Individually packaged in foil                       |  |

| <b>Maximum possible number of thread (figures for identical diameter, not mixed!)</b> |     |     |     |     |     |     |     |     |   |
|---|-----|-----|-----|-----|-----|-----|-----|-----|---|
| ISO M   | M12 | M16 | M20 | M25 | M32 | M40 | M50 | M63 |   |
| Page A/B  | 12  | 6   | 3   | 2   | 2   | 0   | 0   | 0   | 0 |
| Page C/D  | 4   | 1   | 1   | 1   | 1   | 0   | 0   | 0   | 0 |

| <b>Property chart CPG-155</b>                 |                       |                                  |  |
|---|-----------------------|----------------------------------|--|
| <b>Specification</b>                          | <b>Value</b>          | <b>According to the standard</b> | <b>Remark</b>  |
| <b>General data:</b>                          |                       |                                  |  |
| Weight  | 360 g                 |                                  |  |
| External dimensions                           | 110 x 75 x 75         |                                  |  |
| Protection classes                            |                       |                                  |  |
| IP-code                                       | IP 66                 | EN 60529                         |  |
| IP-code                                       | IP67                  | EN 60529                         |  |
| IK- code                                      | IK08                  | IEC 62262                        |  |
| Material                                      |                       |                                  |  |
| Enclosure                                     | Polyester SMC 0190    |                                  | squirrel grey  |
| Screws  | A2-70                 | DIN EN ISO 3506-1                | Cover screws   |
| Spring washer                                 | 1.4310                | DIN EN 10088-3                   |  |
| Insert nuts                                   | 1.4305<br>CuZn39Pb3-M | DIN EN 10088-3                   |  |
| Gasket  | PUR (Polyurethan)     |                                  | Colour: dark grey, 2-component polyurethane foam seal    |
| Toxic behaviour                               | halogen-free          |                                  |  |
| <b>Thermal properties:</b>                    |                       |                                  |  |
| Fire behaviour                                |                       |                                  |  |
| Flammability                                  | V-0                   | UL 94                            | Contentwise alike with EC60695-11-10 and IEC60695-11-20  |
| Glow wire test                                | 960 °C                | IEC 60707-3                      |  |
| Glow wire test                                |                       |                                  |  |
| Glow wire test                                |                       |                                  |  |
| Temperature range                             |                       |                                  |  |
| Enclosure complete                            | -40 °C bis +100 °C    |                                  |  |
| Enclosure material                            | -60 °C bis +165 °C    |                                  |  |
| PUR-seal                                      | -40 °C bis +100 °C    |                                  |  |
| Temperature index Enclosure material          |                       |                                  |  |
| RTI (tensile strength)                        | 130 °C                | UL 746 B                         |  |
| RTI (impact strength)                         | 130 °C                | UL 746 B                         |  |
| RTI (dielectric strength)                     | 105 °C                | UL 746 B                         |  |
| Ambient temperature according to DIN EN 62208 |                       |                                  |  |
| Indoor application                            | -5 °C bis +40 °C      | DIN EN 62208                     | On the average over 24h +35°C                            |
| Relative humidity according to DIN EN 62208   |                       |                                  |  |
| Indoor application                            | max. 50% bei +40 °C   | DIN EN 62208                     | with low temperatures also higher (for ex. 90% at +20°C) |
| Storage temperature                           | -20 °C bis +60 °C     |                                  |  |
| Enclosure-specific thermal conductivity value | 4,79 K/W              |                                  | taking account of effective dissipation loss             |

**Property chart CPG-155**

| Specification                      | Value                | According to the standard | Remark  |
|------------------------------------|----------------------|---------------------------|---|
| <b>Mechanical properties:</b>      |                      |                           |   |
| Torques                            |                      |                           |   |
| Cover screws                       | 1,0 Nm               |                           |   |
| Attachment of accessories          | 1,0 Nm               |                           | for ex. mounting plates,<br>mounting rails                                |
| Other mounting                     | 1,0 Nm               |                           | Screw channel,<br>External mounting brackets                              |
| Maximum installation weight        | 0,4 kg               |                           |   |
| <b>Electrical characteristics:</b> |                      |                           |   |
| Protection class                   | II                   | EN 61140 / VDE 0140-1     | <input type="checkbox"/> Protection by double or<br>reinforced insulation |
| Rated voltage                      | max. 750 V           |                           | Maximum length of the extension arm                                       |
| Surface resistivity                | 10 <sup>12</sup> Ohm | IEC 60093                 |   |
| dielectric strength                | 18 kV/mm             | IEC 60243-1               |   |
| <b>More details:</b>               |                      |                           |   |
| General tolerance                  | mH                   | ISO 2768                  |   |
| Product standard                   | Yes                  | DIN EN 62208              | Empty enclosures for low-voltage<br>switchgear assemblies                 |
| Approvals                          |                      |                           |   |
| c UL us                            | No                   | UL508A / C22,2            | Type 1, 4, 4x   |
| Compliances                        |                      |                           |   |
| RoHs                               | Yes                  | Directive 2011/65 / EU    |   |
| CE label                           | Yes                  | EC-No 765/2008            |   |
| Low-Voltage-Directive No.:         | 2014/35/EU           |                           |   |