

Safety switch

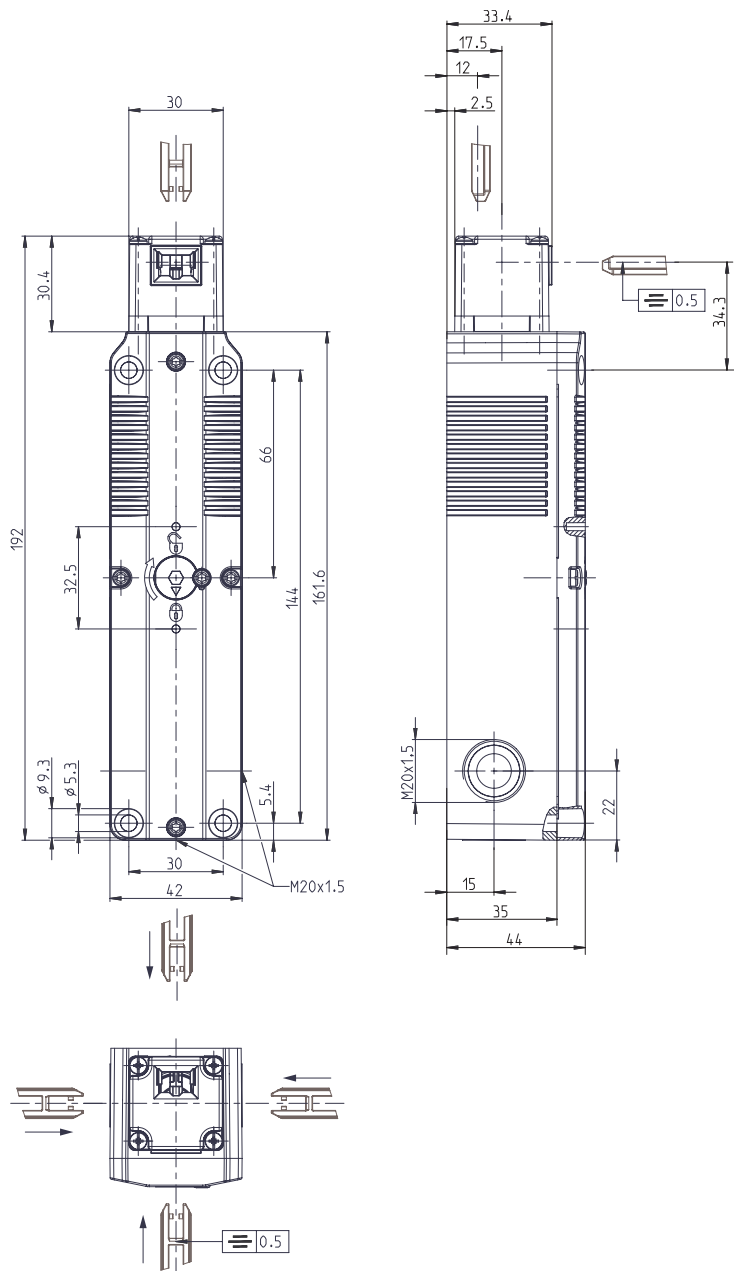
Series SLC

Description **SLC-M-024-20/11-R4**

Article number **6018200015**

| Position monitoring (Guard lock L) | |
|---|---|
| <p>Actuator inserted Guard closed and locked</p> <p>with current</p> | <p>Actuator inserted Guard closed and not locked</p> <p>without current</p> |
| | |
| <p>Actuator withdraw Guard not closed and not locked</p> <p>with or without current</p> | |
| | |

The actuator is not included in the scope of delivery. It can only be purchased in conjunction with the safety switch.



| Electrical data | |
|---|---|
| Protection class | II, totally insulated |
| Contact elements | |
| Rated insulation voltage | U_i 250 V |
| Rated impulse withstand voltage | U_{imp} 2,5 kV |
| Rated operational voltage | U_e 240 V AC / 24 V AC/DC |
| Conv. thermal current | I_{the} 5 A |
| Utilization category acc. to IEC | AC-15, U_e / I_e 240 V / 1,5 A DC-13, U_e / I_e 24 V / 1,5 A; 250 V / 0,11 A |
| Utilization category acc. to UL / CSA | B300 R300 (same polarity) |
| Direct opening action | ⊕ according to IEC/EN 60947-5-1, Annex K |
| Short-circuit protective device | 4 A gG |
| Rated conditional short-circuit current | 400 A |
| Electro magnet | |
| Duty cycle | 100 % ED (at E1; E2) |
| Temperature class | F (155 °C) |
| Permanent power consumption | 6,7 VA (W) |
| Switch operations permanent | 10 / min |
| Operating voltage | 24 V AC / DC (+10 % / -15 %) |

| Mechanical data | |
|--------------------------|--|
| Enclosure | Thermoplastic, glass fibre reinforced (UL 94-V0) |
| Cover | Thermoplastic, glass fibre reinforced (UL 94-V0) |
| Actuating head | Thermoplastic, glass fibre reinforced / Zn-GD |
| Actuator | Separate actuator |
| Minimum actuating radius | R_{min} see separate actuators data sheet |
| Velocity for actuating | V_{max} 0,5 m/s |
| Extraction force | ≤ 10 N |
| Interlocking principle | Magnetic force |
| Unlocking | Spring force |
| Holding force | F_{Zh} 1500 N (EN ISO 14119) |
| Ambient air temperature | -25 °C to +55 °C |
| Contact type | Interlock: 2 NC Guard lock (L): 1 NC, 1 NO |
| Switching principle | 4 slow make and break contact elements |
| Mechanical life | 1 x 10 ⁶ switching cycles |
| Assembly | 4 x M5 |
| Connection | Screw connection |
| Conductor cross-sections | 0,34 ... 1,5 mm ² flexible |
| Cable entrance | 3 x M20x1,5 |
| Weight | ≈ 0,484 kg |
| Installation position | operator definable |
| Protection type | IP67 acc. to IEC/EN 60529 ; (UL 50 E / CSA C22.2) Type 6 indoor use only |

| ID for safety engineering | |
|----------------------------------|--|
| B10d | 2 x 10 ⁶ Cycles (at DC-13; 24 V; 0,1 A) |

| Standards | |
|-----------|---|
| | DIN EN 60947-5-1 |
| | UL 508 18th Edition, CSA-C22.2 No.14-18 |
| | GS-ET-19 (DGUV) |
| | DIN EN ISO 14119 |
| | DIN EN ISO 13849-1 |

| EU Conformity | |
|---------------|--|
| | acc. to directive 2006/42/EC (Safety-of-Machinery-Directive) |

| Approvals | |
|-----------|--------------------|
| | DGUV |
| | cCSA _{US} |
| | CCC |

| Notes | |
|--|--|
| <p>The degree of protection (IP code) specified applies solely to a property closed cover and the use of an equivalent cable gland with adequate cable.</p> <p>The switch may not be used as a mechanical stop.</p> <p>In the event of a power failure, the guard does not remains locked.</p> | |