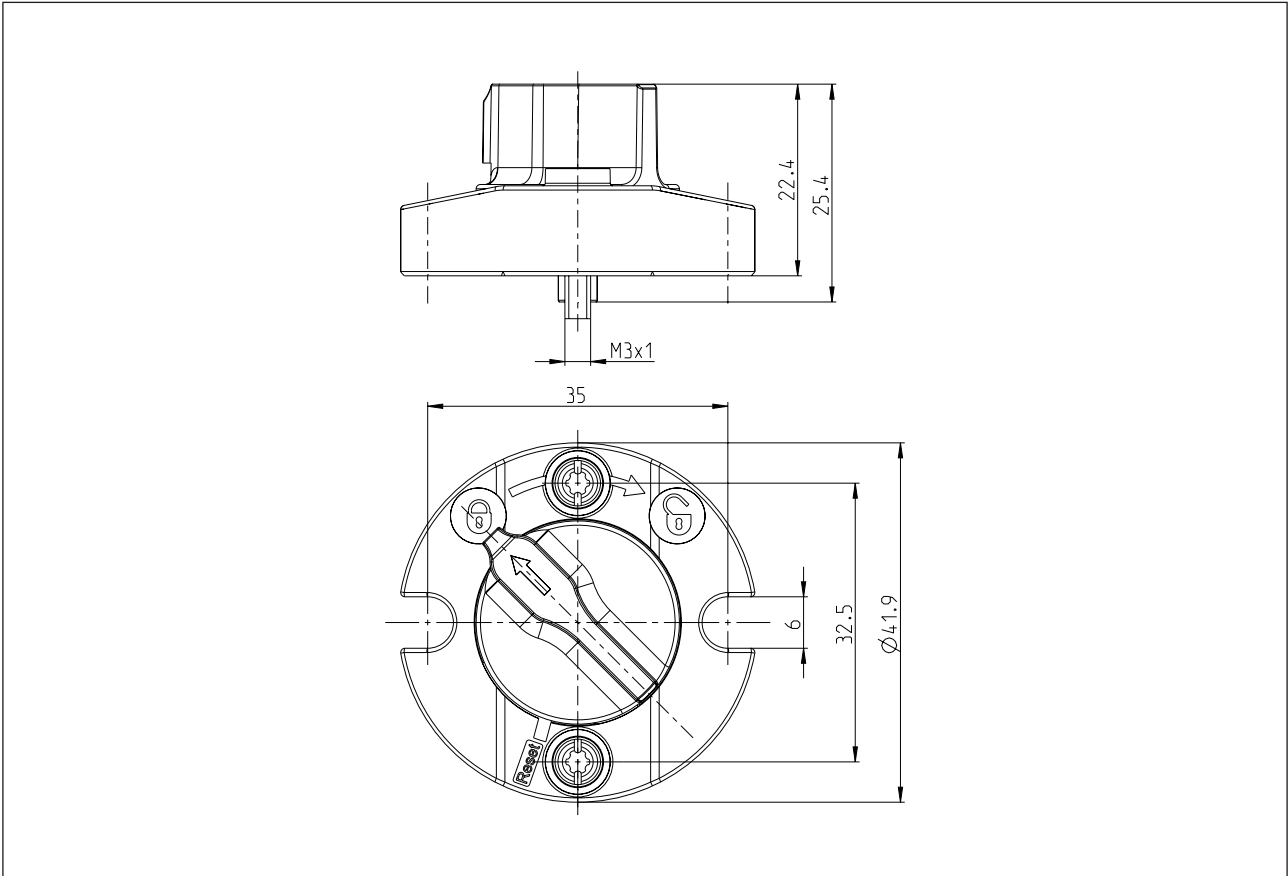


**Accessories**

Series for Safety switches SLC

Description **EMR-B-1**

Article number **6051101004**



**Mechanical data**

Material Thermoplastic, glass fibre reinforced (UL94-V0)