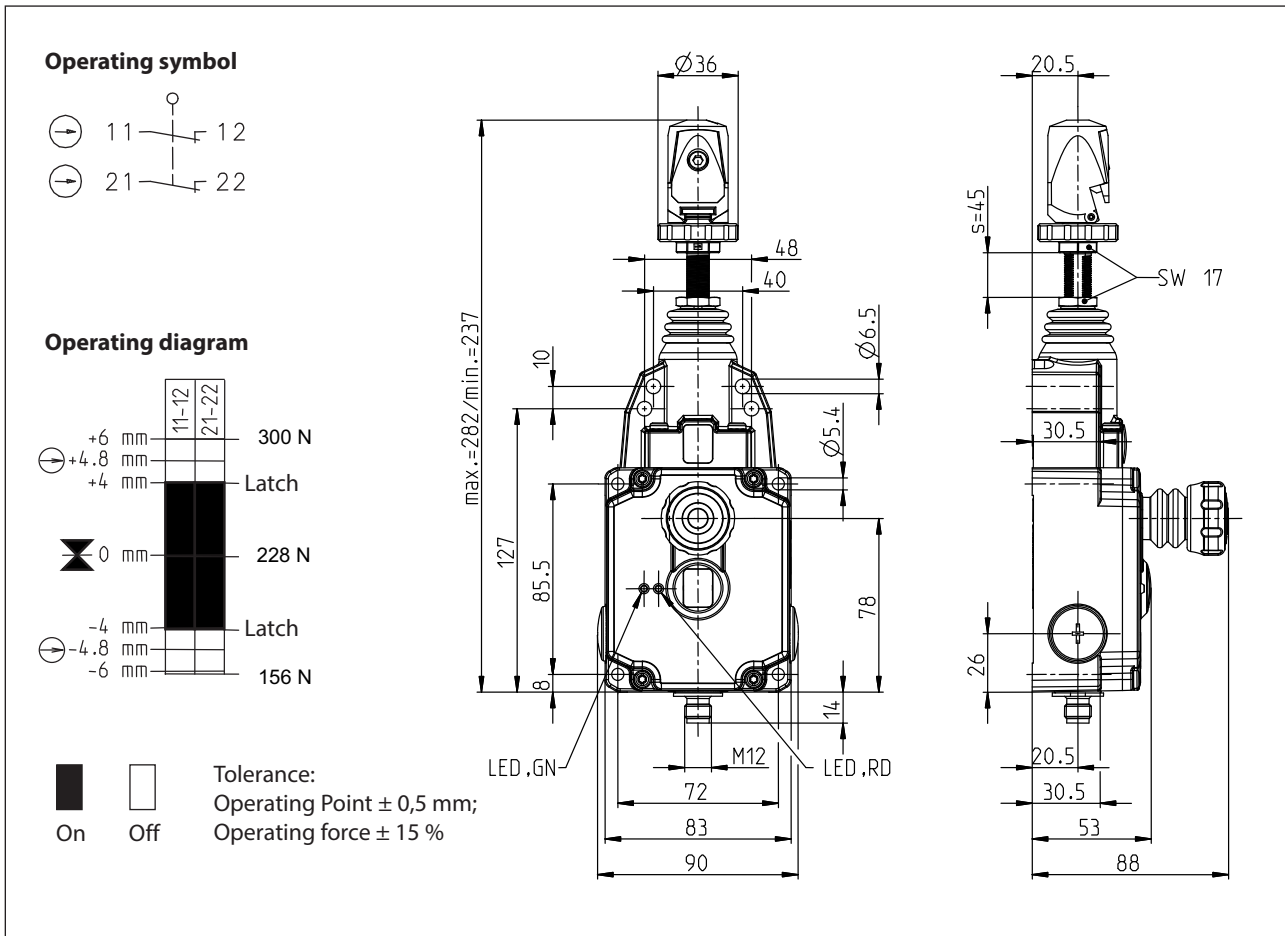


Rope pull switch

Series SRM-ASI

Description **ASI SRM-QF-300**

Article number **607320008**



Electrical data	
Operating voltage	U 18 ... 31,6 V; via AS-interface, reverse-polarity proof
Operating current	I < 40 mA
AS-i Specifications	Profile S-0.B IO-Code: 0x0 ID-Code: 0xB ID-Code1: 0xF ID-Code2: 0xE
AS-i Inputs	Contact 1: Data bits D0/D1 = static 00 or dynamic code transmission Contact 2: Data bits D2/D3 = static 00 or dynamic code transmission
Parameter bits	no function
AS-i Address	preset address: 0

Mechanical data	
Enclosure	Al-die cast
Cover	Al-die cast
Indication	LEDs for slave and bus state
Actuator	Quick clamping device with integrated Turnbuckle (Zn-die cast)
Emergency Stop	PA, glass fibre reinforced
Ambient air temperature	-25 °C ... +70 °C (no freezing over/ no condensation)
Contact type	2 NC (slow-action, Zb)
Latching device	acc. to IEC 60947-5-5, DIN EN 60947-5-5, ISO 13850 (DIN EN 418)
Reset facility	pull of the emergency stop acc. to IEC/EN 60947-5-5
Mechanical life	acc. to IEC 60947-5-5 max. 1×10^5 operating cycles
Rope length	$\leq 37,5$ m (depends on the max. temperature variation)
Rope \varnothing	$D = \varnothing 2 - 5$ mm
Switching frequency	≤ 20 / min.
Assembly	4 x M6 or 4 x M5
Connection	Plug connector M12 male
Plug connection	1: AS-i + 2: free 3: AS-i - 4: free
Weight	$\approx 0,48$ kg
Installation position	operator definable
Protection type	IP67 acc. to EN 60529

Standards	
	VDE 0660 T100, DIN EN 60947-1, IEC 60947-1
	VDE 0660 T200, DIN EN 60947-5-1, IEC 60947-5-1
	VDE 0660 T210, DIN EN 60947-5-5, IEC 60947-5-5
	ISO 13850
	EN 50295 , EN ISO 13849-1 , EN 62061

EU Conformity	
	acc. to directive EMC

ID for safety engineering	
Electronics	MTTFd >100 years PFH $1,05 \times 10^{-9}$ 1/h
Mechanics	B10d $0,2 \times 10^6$ cycles

Notes	
<p>The degree of protection (IP code) specified applies solely to a property closed cover and the use of an equivalent cable gland with adequate cable.</p> <p>Maintenance-free installation.</p> <p>Rope with accessories is available on demand.</p>	