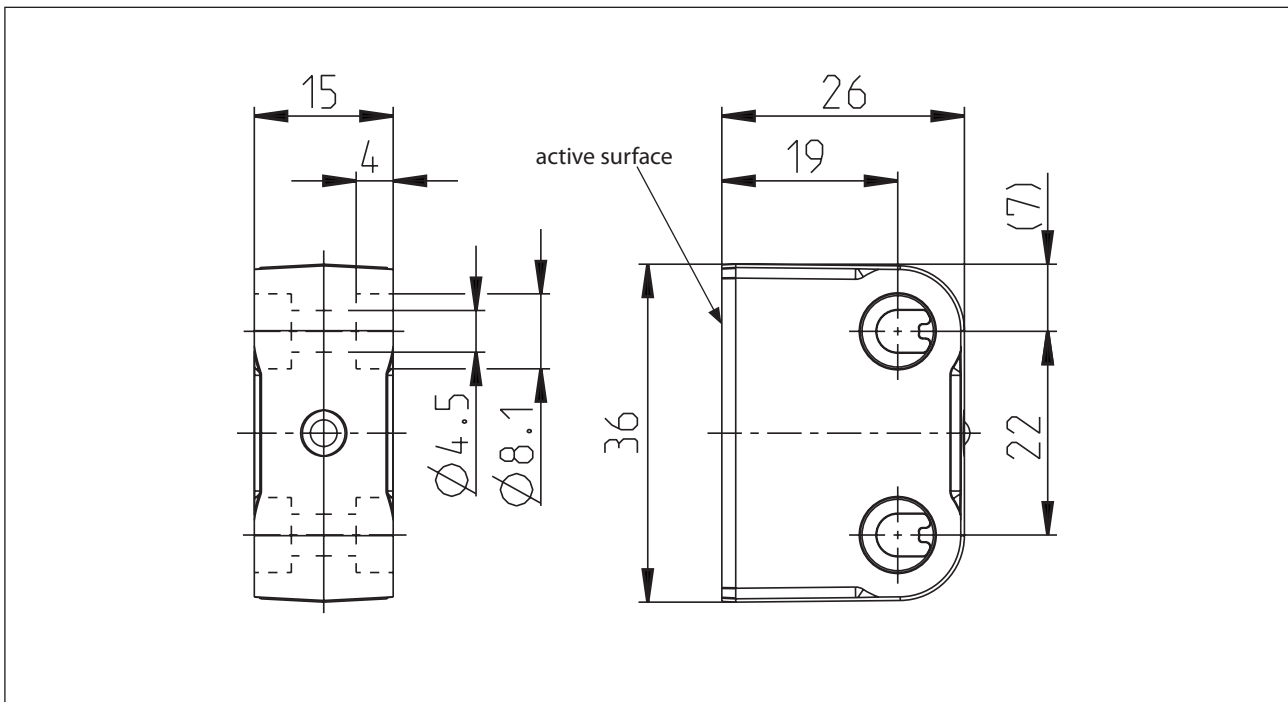


Safety switch
Series SRF

Description **SRF-0**

Article number **6075687078**



Sensing distance (Only in conjunction with SRF of the BERNSTEIN AG.)

| | | min. | typ. | max. |
|--------------------------------|----------|-------|-------|-------|
| Rated sensing distance | S_n | | 13 mm | |
| Assured sensing distance – On | S_{ao} | 10 mm | | |
| Hysteresis | H | | 2 mm | |
| Assured sensing distance – Off | S_{ar} | | | 25 mm |

Electrical Data

| | | |
|-----------------------|---|------------------|
| Transponder frequency | | 125 kHz |
| Repeatability | R | $0,1 \times S_n$ |

| Mechanical Data | |
|---------------------------------------|-----------------------------------|
| Enclosure | PA 66 + PA6, red |
| Mounting | 2 holes Ø 4,5 (for M4 screws) |
| Shock and Swing | acc. to EN IEC 60947-5-2 |
| Ambient temperature | -25°C ... +70°C |
| Storage temperature | -25°C ... +70°C |
| Maximum relative humidity | 93 % @ 40 °C without condensation |
| Altitude | ≤ 2000 m NHN |
| Type of protection | IP69 |
| Protection class acc. to EN IEC 61558 | III |

| Approvals Only in conjunction with SRF of the BERNSTEIN AG |
|---|
| TÜV Nord, cCSAus |