

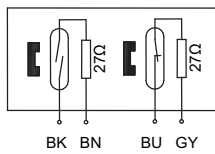
## Magnetic Switch Series MA-53

Description **MAK-5336-3**

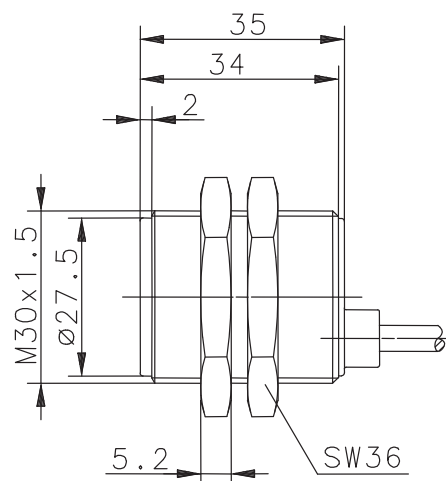
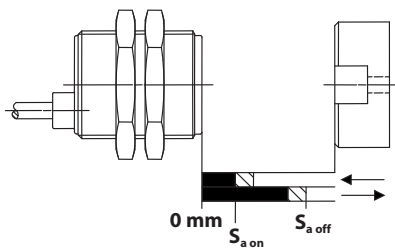
Article number **6490653317**

### Wiring diagram

(not actuated, magnet not in the detection area)



### Actuating direction / Operating distance



### Technical Data

			min	typ.	max
Operating distance	S[mm]	ON	3	5	8
		OFF	5	9	14
		HYS	-	7	-
Reference magnet	TK-43-CD (6402043312)				
Output	N.O., N.C. combined				
Max. voltage	30 V DC				
Mechanical life	3 x 10 <sup>8</sup> switchings, however, according to the load resetability				
Repeat accuracy	R	0,1 x S under same geometrical conditions at the same temperature (within the boundaries of S <sub>a on</sub> and S <sub>a off</sub> )			
Operating frequency	1 Hz				

Mechanical data	
Enclosure	PA 6, red
Ambient air temperature	-5 °C ... +70 °C
Protection class	IP 67 acc. to IEC 529, EN 60529
Connection	Cable 4 x 0,25mm <sup>2</sup> x 3 m; PVC - Outer jacket, black
Installation position	operator definable
Pollution degree	3 acc. to EN 60947-1

Notes
<p>Application: Monitoring system of type <b>MÜZ-x02/xxx</b></p> <p>These coded magnetic systems offer manipulation-safe locking and can not be actuated with simple tools like depolarised magnets.</p>