

## Passive Distributor AUX

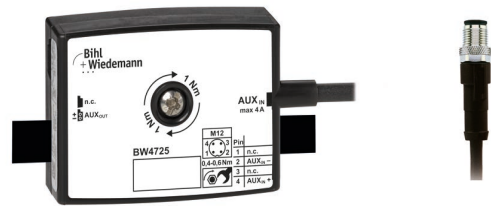
Connections for 1 x AUX profile cable to M12 cable plug, straight, 4 poles

To generate a safe switched branch for 24 V AUX on profile cable in combination with an electronic safe output in IP67

M12 wiring suitable for the safe outputs of e.g. BWU3064 or BW3490

integrated test pulse suppression

optimized for load currents from 100 to 1000 mA



(figure similar)



| Figure | Type             | Flat design, montage in cable duct possible <sup>(1)</sup> | Internal fuse | Profile cable connection | Connection <sup>(2)</sup>                       | Round cable <sup>(3)</sup> | Special function                  | Protection category | Article no.   |
|--------|------------------|--|---------------|--------------------------|---|----------------------------|-----------------------------------|---------------------|---------------|
|        | IP67, 19 mm deep | yes, 19 mm deep  | -             | 1 x AUX                  | 1 x M12 cable plug, straight, straight, 4 poles | 0,3 m                      | for switching loads $\geq 100$ mA | IP67                | <b>BW4725</b> |

(1) **Flat design, installation in cable duct possible**

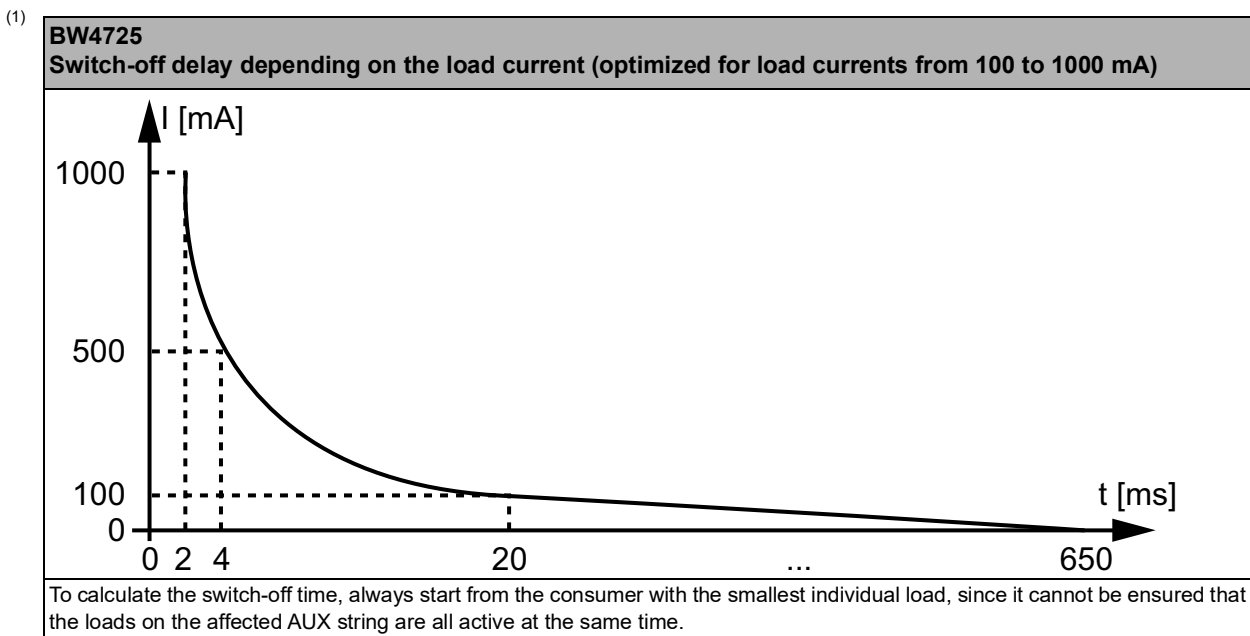
Modules with a flat housing design and with cables which exit the sides make these ideal for installation in cable ducts, cable channels, cable troughs, cable rails or cable trays. Please note the respective housing depth for your particular installation.

(2) **Connection:** further connection options are available on request.

(3) **Cable:** other cable lengths are available on request.

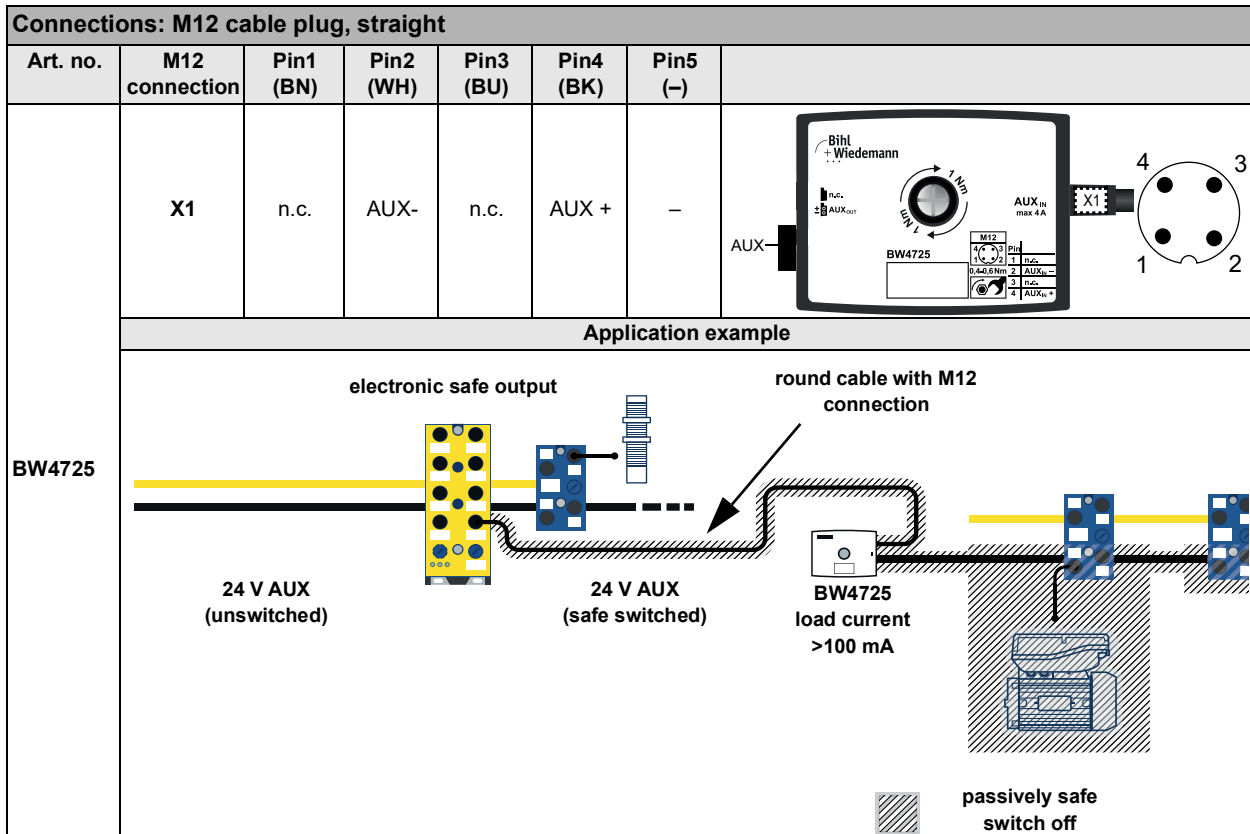
| Article No.              |         | BW4725  |  |
|--------------------------|---------|---|--|
| <b>Connection</b>        |         |   |  |
| Profile cable connection |         | 1x AUX<br>profile cable and piercing technology |  |
| Connection               |         | 1 x M12 cable plug, straight, 4 poles           |  |
| Round cable              |         | 0,3 m<br>max. allowed tensile strain 10 N       |  |
| Operating voltage        |         | 10 ... 32 V <sub>DC</sub> PELV                  |  |
| Operating current        |         | $\leq 4$ A                                      |  |
| Internal fuse            |         | -   |  |
| Max. switch-off delay    | 1000 mA | 2 ms <sup>(1)</sup>                             |  |
|                          | 500 mA  | 4 ms <sup>(1)</sup>                             |  |
|                          | 100 mA  | 20 ms <sup>(1)</sup>                            |  |
|                          | 0 mA    | 650 ms <sup>(1)</sup>                           |  |

|  |   |
|--|---|
| <b>Article No.</b>                           | <b>BW4725</b>   |
| <b>Environment</b>                           |   |
| Applied standards                            | EN 60529<br>EN 61000-6-2<br>EN 61000-6-3                                |
| Operating altitude                           | max. 2000 m   |
| Ambient temperature                          | -30 °C ... +70 °C <sup>(2)</sup>  |
| Storage temperature                          | -25 °C ... +85 °C   |
| Housing                                      | plastic, for screw mounting,<br>suitable for cable ducts (depth ≥19 mm) |
| Pollution Degree                             | 2   |
| Protection category                          | IP67  |
| Maximum tolerable shock and vibration stress | ≤15g, T≤11 ms<br>10 ... 55 Hz, 0,5 mm amplitude                         |
| Insulation voltage                           | ≥500 V  |
| Weight                                       | 75 g  |
| Dimensions (W / H / D) in mm                 | 60 / 45 / 19  |



(2) Down to -25 °C with flexibly mounted cable, -30 °C only with fixed mounted cable.

|  |   |
|--|---|
|  | <b>Notice</b>   |
|  | After each opening of the module, check for proper function and correct placement of the seals.<br>Dirt, damage and/or shifting of the seals can compromise protection of the module against solid particles and liquids so that the specified protection category is no longer guaranteed. |



**Accessories:**

- Sealing profile IP67 (IDC plug), 60 mm (article no. BW3282)
- ASi profile cable (black) for additional auxiliary power, wire section 1,5 mm<sup>2</sup> (art. no. BW1980, BW2757)
- ASi profile cable (black) for additional auxiliary power, wire section 2,5 mm<sup>2</sup> (art. no. BW3169)