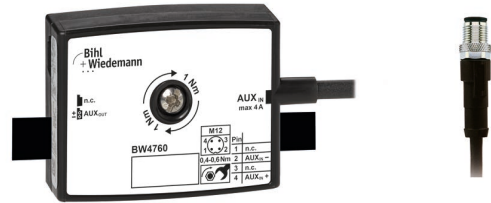


Passive Distributor AUX

Connections for 1 x AUX profile cable to M12 cable plug, straight, 4 poles

To generate a safe switched branch for 24 V AUX on profile cable in combination with an electronic safe output in IP67



(figure similar)

M12 wiring suitable for the safe outputs of e.g. BWU3064 or BW3490

integrated test pulse suppression

optimized for load currents from 5 to 100 mA



Figure	Type	Flat design, montage in cable duct possible ⁽¹⁾	Internal fuse	Profile cable connection	Connection ⁽²⁾	Round cable ⁽³⁾	Special function	Protection category	Article no.
	IP67, 19 mm deep	yes, 19 mm deep	-	1 x AUX	1 x M12 cable plug, straight, 4 poles	0,3 m	for switching loads <100 mA	IP67	BW4760

(1) **Flat design, installation in cable duct possible**

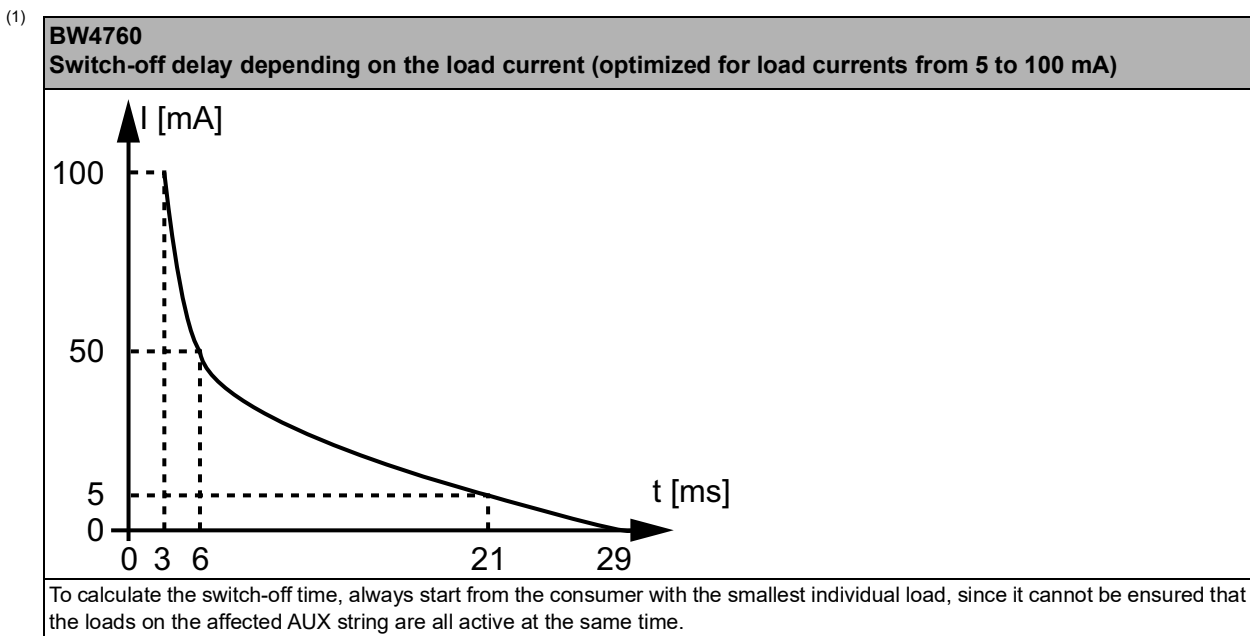
Modules with a flat housing design and with cables which exit the sides make these ideal for installation in cable ducts, cable channels, cable troughs, cable rails or cable trays. Please note the respective housing depth for your particular installation.

(2) **Connection:** further connection options are available on request.

(3) **Cable:** other cable lengths are available on request.

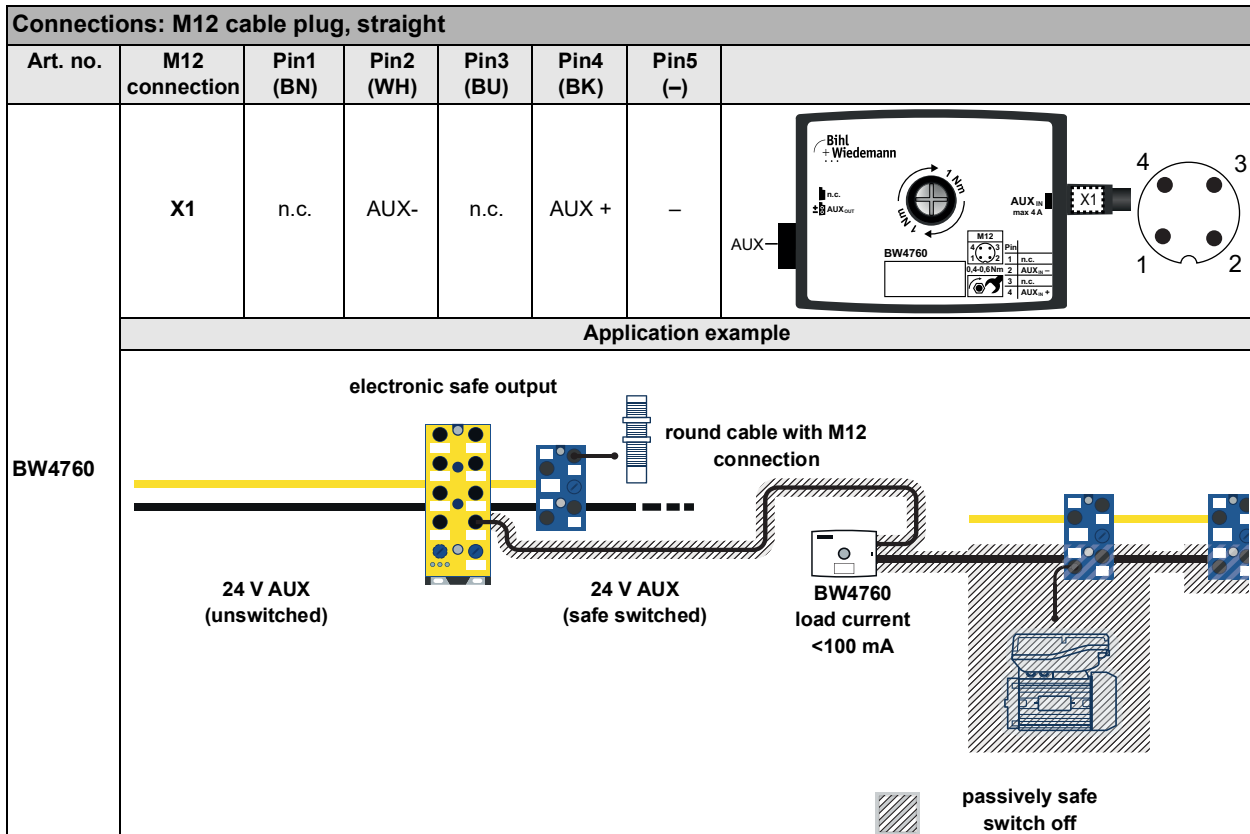
Article No.		BW4760	
Connection			
Profile cable connection		1x AUX profile cable and piercing technology	
Connection		1 x M12 cable plug, straight, 4 poles	
Round cable		0,3 m max. allowed tensile strain 10 N	
Operating voltage		10 ... 32 V _{DC} PELV	
Operating current		≤4 A	
Internal fuse		-	
Max. switch-off delay	100 mA	3 ms ⁽¹⁾	
	50 mA	6 ms ⁽¹⁾	
	5 mA	21 ms ⁽¹⁾	
	0 mA	29 ms ⁽¹⁾	

Article No.	BW4760
Environment	
Applied standards	EN 60529 EN 61000-6-2 EN 61000-6-3
Operating altitude	max. 2000 m
Ambient temperature	-30 °C ... +70 °C ⁽²⁾
Storage temperature	-25 °C ... +85 °C
Housing	plastic, for screw mounting, suitable for cable ducts (depth ≥19 mm)
Pollution Degree	2
Protection category	IP67
Maximum tolerable shock and vibration stress	≤15g, T≤11 ms 10 ... 55 Hz, 0,5 mm amplitude
Insulation voltage	≥500 V
Weight	75 g
Dimensions (W / H / D) in mm	60 / 45 / 19



(2) Down to -25 °C with flexibly mounted cable, -30 °C only with fixed mounted cable.

	Notice
	<p>After each opening of the module, check for proper function and correct placement of the seals.</p> <p>Dirt, damage and/or shifting of the seals can compromise protection of the module against solid particles and liquids so that the specified protection category is no longer guaranteed.</p>



Accessories:

- Sealing profile IP67 (IDC plug), 60 mm (article no. BW3282)
- ASi profile cable (black) for additional auxiliary power, wire section 1,5 mm² (art. no. BW1980, BW2757)
- ASi profile cable (black) for additional auxiliary power, wire section 2,5 mm² (art. no. BW3169)