

# SG BODY COMPACT BASE SG BODY COMPACT MUTING



*Body access detection*

*Perimeter control*

*Rapid solution for access control with muting*

*Easy installation and alignment*

*L and T muting models provided with Retroreflective Muting Arms*



SAFETY

- Two, three or four beams for body protection
- Controlled heights of 500, 800, 900 and 1200 mm
- Long operating distance: up to 50 m
- Simple configuration through DIP switches
- Integrated muting lamp (only on muting models)



## APPLICATIONS

- Automatic machines
- Robots
- Automatic assembly lines
- Palletizers and depalletizers
- Material handling



## INDUSTRIES

*Food & Beverage, Metalworking, Automotive, Wood, Ceramics*

	FINGER	HAND	ARM	BODY
TYPE 2				▪
TYPE 4				▪

# SG2-S2-050-PP-E

TYPE	
2	Type 2
4	Type 4

BEAMS AND MUTING ARMS	
S2	2 Beams
S3	3 Beams
S4	4 Beams
T2	2 Beams with T muting arms (RRX)
T3	3 Beams with T muting arms (RRX)
L2	2 Beams with L muting arms (RRX)
L3	3 Beams with L muting arms (RRX)

MONITORED HEIGHT	
050	500 mm (2 beams)
080	800 mm (3 beams)
090	900 mm (4 beams)
120	1200 mm (4 beams)

VERSION	
X	Base: only automatic restart
E	Base: auto/man restart, EDM
W	Muting: with muting function

# SG BODY COMPACT BASE SG BODY COMPACT MUTING



## TECHNICAL DATA

	SG2 BODY COMPACT BASE [SG2-Sx-xxx-PP-E]	SG2 BODY COMPACT MUTING [SG2-S/L/Tx-xxx-PP-W]	SG4 BODY COMPACT BASE [SG4-Sx-xxx-PP-X]	SG4 BODY COMPACT BASE [SG4-Sx-xxx-PP-E]	SG4 BODY COMPACT MUTING [SG4-S/L/Tx-xxx-PP-W]
--	--	--	--	--	--

### GENERAL DATA

Type (EN61496-1)	2		4	
PL (EN ISO 13849-1)	c		e	
SIL (IEC 61508)	1		3	
Resolution	315 mm (4 beams) 415 mm (3 and 4 beams) 515 mm (2 beams)			
Protected height	515 mm (2 beams) 815 mm (3 beams) 915 mm or 1215 (4 beams)			
Operating distance	0.5 ... 50 m			
Retroreflective muting arms operating distance (included in L and T versions)	-----	0.5 ... 3 m	-----	0.5 ... 3 m
Emitter-Receiver muting arms operating distance	-----	0.5 ... 7 m	-----	0.5 ... 7 m

### ELECTRICAL DATA

Power supply (Vdd)	24 Vdc ± 20%	
Outputs	2 PNP	
Output current	0.5 A max / each output	
Capacitive load	65 nF max at 25°C	
Response time	14 ... 16 ms depending on model *	
Cables length (for power supply)	50 m max.	

### MECHANICAL AND ENVIRONMENTAL DATA

Operating temperature	0 ... +55 °C	
Humidity	15 ... 95 % (no condensation)	
Mechanical protection	IP 65 (EN 60529)	

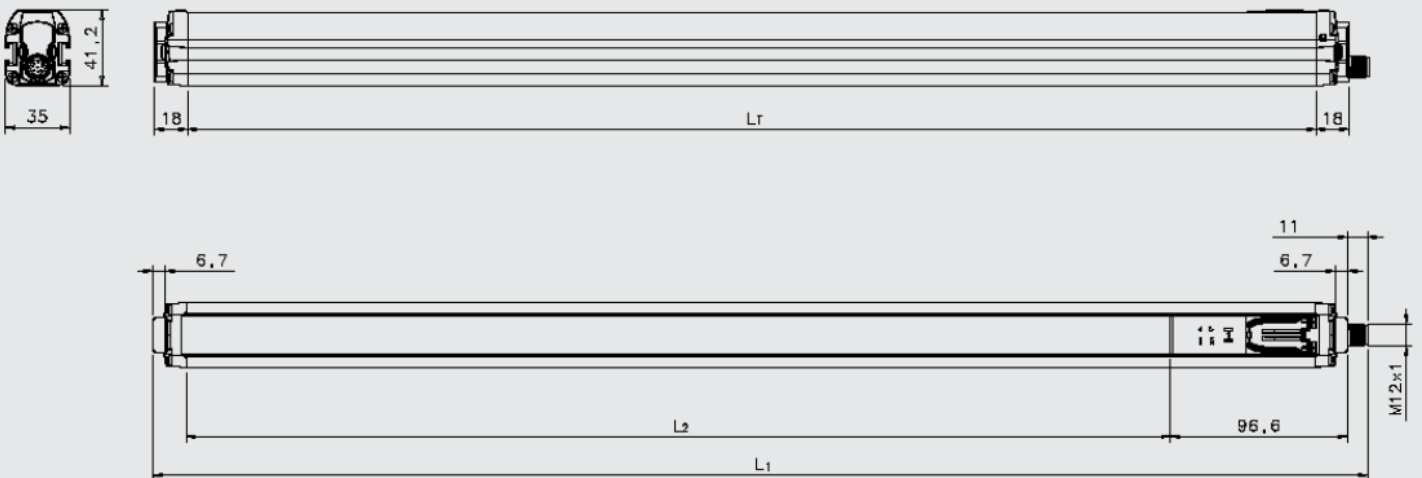
### FUNCTIONS

Test Input	On Receiver	N/A	On Receiver	
Restart	Automatic / Manual	Automatic	Automatic / Manual	
EDM (External Device Monitoring)	On Receiver	N/A	On Receiver	
Muting type (Selectable with DIP-sw)*	-----	T-Muting / L-Muting	-----	T-Muting / L-Muting
Muting time-out (Selectable with DIP-sw)*	-----	10 min. or ∞	-----	10 min. or ∞
Override	-----	On Receiver	-----	On Receiver

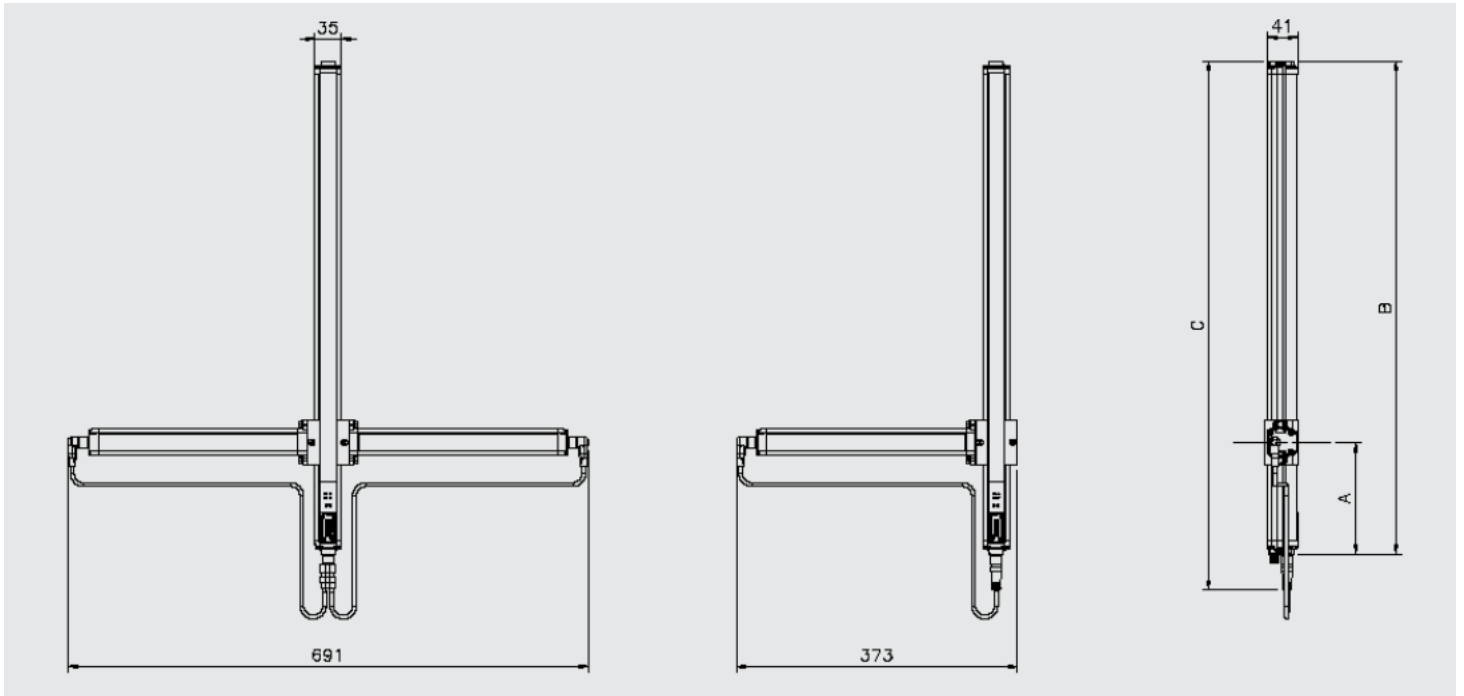
### NOTES

\* For detailed informations refer to related Product Manual

## DIMENSIONS



# SG BODY COMPACT BASE SG BODY COMPACT MUTING



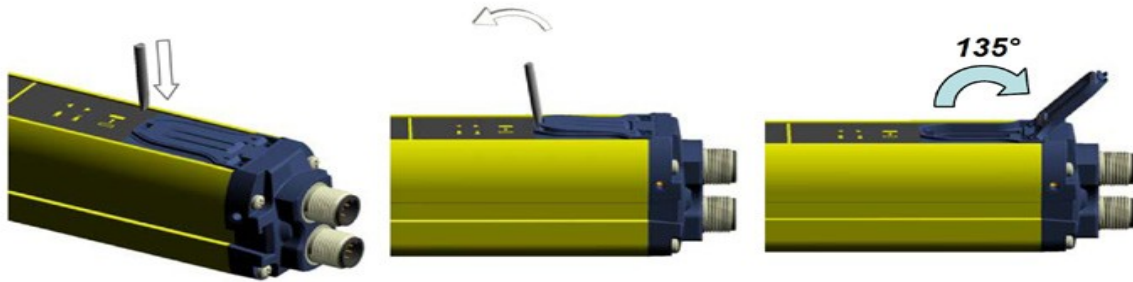
MODEL	L1 (MM)	L2 (MM)	A (MM)	B (MM)	C (MM)
SGx-S/L/Tx-050-PP-x	662	538.4	120-260	653	700
SGx-S/L/Tx-050-PP-x	962	838.4	120-260	953	1000
SGx-S/L/Tx-050-PP-x	1062.5	938.4	120-260	1053	1100
SGx-S/L/Tx-050-PP-x	1362.5	1238.4	120-260	1353	1400

## CONNECTIONS

	SG4 BODY COMPACT BASE [SG4-SX-XXX-PP-X]	SG2 BODY COMPACT BASE [SG2-SX-XXX-PP-E]  SG4 BODY COMPACT BASE [SG4-SX-XXX-PP-E]	SG2 BODY COMPACT MUTING [SG2-S/L/TX-XXX-PP-W]	SG4 BODY COMPACT MUTING [SG4-S/L/TX-XXX-PP-W]
EMITTER MAIN CONNECTOR		M12, 4 poles, male 1 = Brown = 24Vdc 3 = Blue = 0 V		
EMITTER SECONDARY CONNECTOR			M12, 5 poles, male 1 = Brown = 24 Vdc 3 = Blue = 0 V	
RECEIVER MAIN CONNECTOR	M12, 5 poles, male 1 = Brown = 24Vdc 2 = White = OSSD1 3 = Blue = 0 V 4 = Black = OSSD2	M12, 8 poles, male 1 = white = TEST /START 2 = brown = 24 Vdc 4 = yellow = EDM 5 = grey = OSSD 1 6 = pink = OSSD 2 7 = blue = 0V	M12, 8 poles, male 1 = white = TEST /START 2 = brown = 24 VDC 3 = green = OVERRIDE 1 4 = yellow = EDM 5 = grey = OSSD 1 6 = pink = OSSD 2 7 = blue = 0V 8 = red = OVERRIDE 2	
EMITTER SECONDARY CONNECTOR			M12, 5 poles, male 1 = Brown = 24 Vdc 2 = White = MUTING2 3 = Blue = 0 V 4 = Black = MUTING1	

# SG BODY COMPACT BASE SG BODY COMPACT MUTING

## INDICATORS AND DIP SWITCHES



DIP-SW	FUNCTION	ON	OFF
1, 5			
2, 6			
3, 7	EDM	Deactivated	Activated
4, 8	Restart	Automatic	Manual

**NOTE**

DIP SW are not present on SG4 BODY COMPACT BASE models with -X final: [SGx-Sx-xxx-PP-X]

## MODEL SELECTION AND ORDER INFORMATION

	SG2 BODY COMPACT BASE [SG2-SX-XXX-PP-E]	ORDER CODE	SG4 BODY COMPACT BASE [SG4-SX-XXX-PP-E]	ORDER CODE		
ONLY AUTOMATIC RESTART NO EDM			SG4-S2-050-PP-X	957851600		
			SG4-S3-080-PP-X	957851610		
			SG4-S4-090-PP-X	957851620		
			SG4-S4-120-PP-X	957851630		
WITH EDM AND MANUAL RESTART	SG2-S2-050-PP-E	957851000	SG4-S2-050-PP-E	957851040		
	SG2-S3-080-PP-E	957851010	SG4-S3-080-PP-E	957851050		
	SG2-S4-090-PP-E	957851020	SG4-S4-090-PP-E	957851060		
	SG2-S4-120-PP-E	957851030	SG4-S4-120-PP-E	957851070		
WITH INTEGRATED MUTING	WITHOUT MUTING ARMS	SG2 BODY COMPACT MUTING [SG2-S/L/TX-XXX-PP-W]	ORDER CODE	SG4 BODY COMPACT MUTING [SG4-S/L/TX-XXX-PP-W]	ORDER CODE	
			SG2-S2-050-PP-W	957851080	SG4-S2-050-PP-W	957851160
			SG2-S3-080-PP-W	957851090	SG4-S3-080-PP-W	957851170
			SG2-S4-090-PP-W	957851100	SG4-S4-090-PP-W	957851180
		SG2-S4-120-PP-W	957851110	SG4-S4-120-PP-W	957851190	
	WITH L MUTING ARMS		SG2-L2-050-PP-W	957851120	SG4-L2-050-PP-W	957851200
			SG2-L3-080-PP-W	957851130	SG4-L3-080-PP-W	957851210
	WITH T MUTING ARMS		SG2-T2-050-PP-W	957851140	SG4-T2-050-PP-W	957851220
		SG2-T3-080-PP-W	957851150	SG4-T3-080-PP-W	957851230	

# SG BODY COMPACT BASE SG BODY COMPACT MUTING



## CABLES

	POLES	CONNECTOR	LENGHT (M)	MODEL	ORDER NUMBER
SG BODY COMPACT BASE EMITTER MAIN CONNECTOR [SG2\4-SX-XXX-PP-X\E]  SG BODY COMPACT BASE RECEIVER MAIN CONNECTOR [SG2\4-SX-XXX-PP-X]  SG BODY COMPACT MUTING EMITTER AND RECEIVER MAIN CONNECTORS [SG2\4-S/L/TX-XXX- PP-W]	4	Axial	3	CV-A1-22-B-03	95ACC1480
			5	CV-A1-22-B-05	95ACC1490
			10	CV-A1-22-B-10	95ACC1500
			15	CV-A1-22-B-15	95ACC2070
			25	CV-A1-22-B-25	95ACC2090
		Radial	3	CV-A2-22-B-03	95ACC1540
			5	CV-A2-22-B-05	95ACC1550
			10	CV-A2-22-B-10	95ACC1560
		SG BODY COMPACT BASE [SG2-SX-XXX-PP-E] [SG4-SX-XXX-PP-E]  SG BODY COMPACT MUTING [SG2-S/L/TX-XXX-PP-W] [SG4-S/L/TX-XXX-PP-W]	8	Axial	3
5	CV-A1-26-B-05				95ACC1520
10	CV-A1-26-B-10				95ACC1530
15	CV-A1-26-B-15				95ACC2080
25	CV-A1-26-B-25				95ACC2100
Radial	3			CV-A2-26-B-03	95ACC1600
	5			CV-A2-26-B-05	95ACC1610
	10			CV-A2-26-B-10	95ACC1620
SG BODY COMPACT MUTING (LINEAR) [SG2-SX-XXX-PP-W] [SG4-SX-XXX-PP-W]	5			Axial	3
		5	CS-A1-03-U-05		95ASE1180
		10	CS-A1-03-U-10		95ASE1190
		15	CS-A1-03-U-15		95ASE1200
		25	CS-A1-03-U-25		95ASE1210

### NOTES

\* For detailed informations refer to related Product Manual

## ACCESSORIES

	SG4 BODY COMPACT BASE [SG4-SX-XXX-PP-X]	SG2 BODY COMPACT BASE SG4 BODY COMPACT BASE [SG2/4-SX-XXX-PP-E]	SG2 BODY COMPACT MUTING SG4 BODY COMPACT MUTING [SG2/4-S/L/TX-XXX-PP-W]
<b>BRACKETS</b>			
STANDARD ANGLED BRACKETS (4 PCS) <sup>1</sup>		ST-KSTD (included)	
ROTATING BRACKETS (4 PCS)		ST-K4ROT-SG BODY COMPACT	
ANTIVIBRATION SUPPORT (4 PCS / 6 PCS) <sup>3</sup>		ST-K4AV ST-K6AV	
ORIENTABLE SUPPORT (4 PCS / 6 PCS) <sup>3</sup>		ST-K4OR ST-K6OR	
PLASTIC BRACKETS (4 PCS / 6 PCS) <sup>3</sup>		ST-KP4MP ST-KP6MP	
<b>PROTECTION TUBES AND STANDS</b>			
IP67/IP69K TUBES		-----	
PROTECTIVE STANDS		SG-PSB series <sup>2</sup>	
STAND PLATE FOR SG-PSB		SG-P	
PROTECTIVE STANDS MOUNTING BRACKETS (4 PCS / 6 PCS) <sup>3</sup>		ST-PS4-SG-SE ST-PS6-SG-SE	
FLOOR COLUMNS		SE-S Series	
<b>MIRRORS</b>			
PROTECTIVE STANDS WITH SINGLE MIRRORS		SG-PSM series	
DEVIATING MIRRORS MOUNTING KIT FOR SG-PSB		ST-PS-DM	
DEVIATING MIRRORS		SG-DM series	
MIRROR MOUNTING BRACKET		ST-DM	
<b>SAFETY UNITS</b>			
SAFETY UNIT		SE-SR2	
EDM RELAY BOX <sup>4</sup>	---	CS ME-03VU24-Y14	
SAFETY CONTROL UNIT FOR SINGLE BEAMS AND SLC		SG-BWS-T4-MT	
<b>ALIGNMENT TOOL</b>			
LASER POINTER		SG-LP	
<b>ACCESSORIES FOR MUTING</b>			
MUTING ARMS, BRACKETS AND CABLES	---	See page 77 of safety reference guide	
MUTING CONNECTION BOX	---	SG-SRT-1 <sup>4</sup>	
EXTERNAL MUTING LAMPS	---	LMS Series	

### NOTES

<sup>1</sup> 1200 mm models are provided with 6 pcs standard brackets

<sup>2</sup> Not possible with T or L muting arms mounted

<sup>3</sup> Use 6 brackets for light curtains with length  $\geq$  1200 mm

<sup>4</sup> When using EDM Relay Box or Muting connection box, connect EDM input, and be sure EDM function is active on the safety light curtain