

COMPACT SENSORS

S62

The most complete universal sensor in a compact 50x50 mm housing

- Sensors with red, infrared LED or LASER emission
- Background suppression from 3 cm to 2 m
- Polarized retroreflective up to 20 m
- Multivoltage 24-240Vac/24-60Vdc with Relay output
- NPN/PNP output NO-NC configuration



APPLICATIONS

- Processing and Packaging machinery
- Conveyor lines, material handling



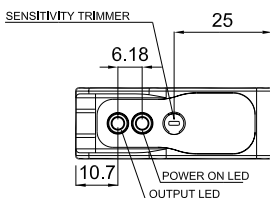
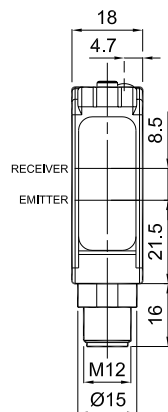
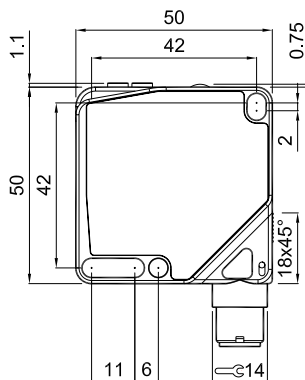
S62		
Through beam		0...25 m
Retroreflective (on R2 reflector)		0,1...13 m
Polarized retroreflective		0,1...8 m
		0,3...20 m (class 2 LASER)
Diffuse proximity		short 0...900 mm, long 0...2000 mm
		0...900 mm (class 2 LASER)
Background suppression		short 30...300 mm
		medium 60...600 mm
		long 60...1200 mm
		very long 200...2000 mm
		short LASER 30...150 mm (class 2 LASER)
		long LASER 50...350 mm (class 2 LASER)
Power supply	Vdc	10...30 V
	Vac	
	Vac/dc	24/240 Vac/24...60 Vdc
	PNP	▪
Output	NPN	▪
	NPN/PNP	▪
	relay	▪
	other	
Connection	cable	▪
	connector	▪
	pig-tail	
Approximate dimensions (mm)		18x50x50
Housing material		ABS
Mechanical protection		IP67

TECHNICAL DATA

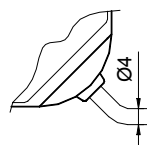
Power supply	10 ... 30 Vdc (mod. S62...2/5) 24...240 Vac/ 24...60 Vdc (mod. S62...1)
Ripple	2 Vpp max. (mod. S62...2/5), 10% max. (mod. S62...1)
Consumption (output current excluded)	30 mA max. (mod. S62...2/5) 3 VA max. (mod. S62...1)
Light emission	red LED 640 nm (mod. S62-PA...A/B/C/G/M01/M05/M11/M15) IR LED 880 nm (mod. S62-PA...M21/M25/M31/M35) red Laser 645...665 nm (mod. S62-PL)
Setting	sensitivity adjustment trimmer
Operating mode	mono-turn LIGHT/DARK trimmer (mod. S62...RX/PN) yellow OUTPUT LED
Indicators	green STABILITY LED, POWER LED (S62...G)
Output	PNP or NPN N.O./N.C. (mod. S62...PP/NN); NPN/PNP (mod. S62...PN); electromechanical SPDT 250 Vac/30 Vdc (mod. S62...RX)
Output current	100 mA max. (mod. S62...2/5), 2 A max. (mod. S62...1)
Saturation voltage	2 V max. (mod. S62...2/5)
Response time	25 ms (mod. S62...1) 1,5 ms (mod. S62...M3x) 1 ms (mod. S62...2/5-F/G/M2x) 500 µs (mod. S62-PA...2/5-A/B/C/M0x/M1x) 200 µs (mod. S62-PL...B/C/M11) 140 µs (mod. S62-PL...M01)
Switching frequency	20 Hz (mod. S62...1) 330 Hz (mod. S62...M3x) 500 Hz (mod. S62...2/5-F/G/M2x) 1 kHz (mod. S62-PA...2/5-A/B/C/M0x/M1x) 2,5 kHz (mod. S62-PL...B/C/M11) 3,5 kHz (mod. S62-PL...M01)
Connection	M12 4-pole connector, 2 m Ø 4 mm cable vers., 2 m Ø 5 mm cable vers.
Dielectric strength	500 Vac 1 min., between electronics and housing
Insulation resistance	>20 MΩ 500 Vdc, between electronics and housing
Mechanical protection	IP67
Ambient light rejection	According to EN 60947-5-2
Vibrations	0.5 mm amplitude, 10 ... 55 Hz frequency, for each axis (EN60068-2-6)
Shock resistance	11ms (30G) 6 shock for every axis (EN60068-2-27)
Housing material	ABS
Lens material	PMMA window, polycarbonate lens
Operating temperature	-10 ... 55 °C
Storage temperature	-20 ... 70 °C
Weight	40 g max. conn. vers., 90 max. cable vers.

DIMENSIONS

Background suppression

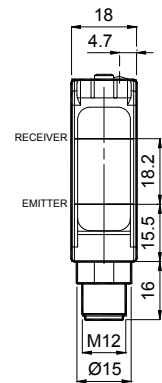
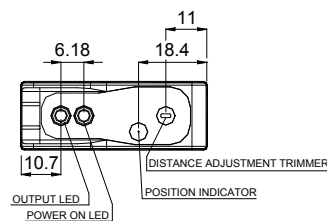


Cable version

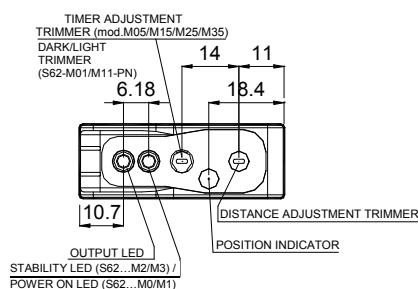


mm

Laser version



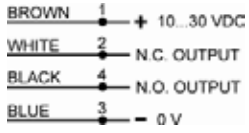
Led version



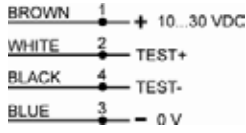
COMPACT SENSORS

CONNECTIONS

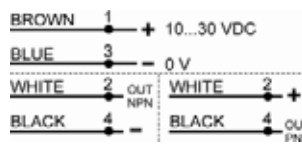
VDC MODELS



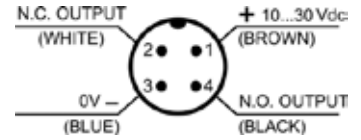
Through beam emitter



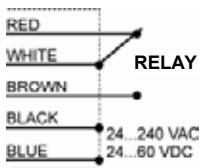
NPN/PNP version



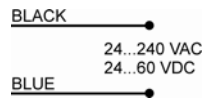
M12 CONNECTOR



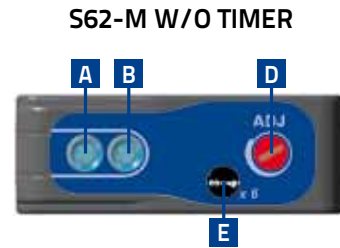
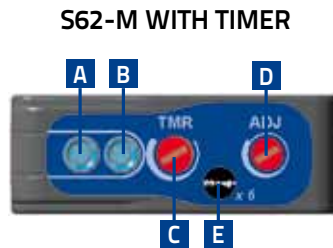
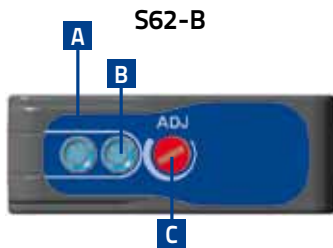
VAC MODELS



Through beam emitter



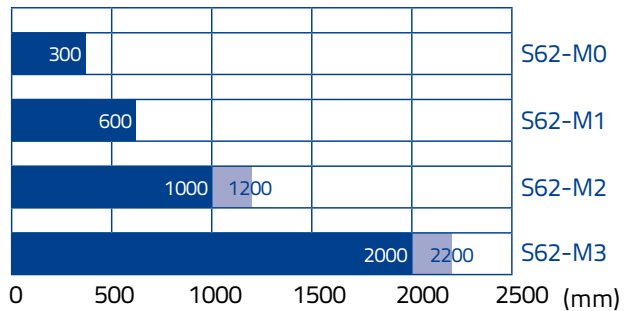
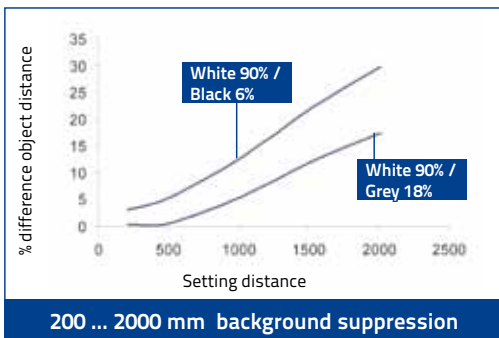
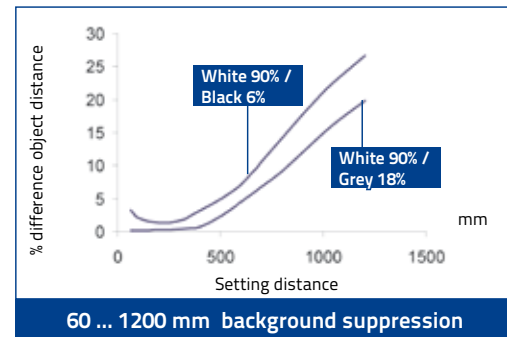
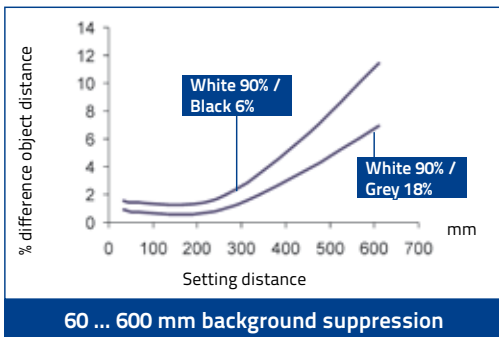
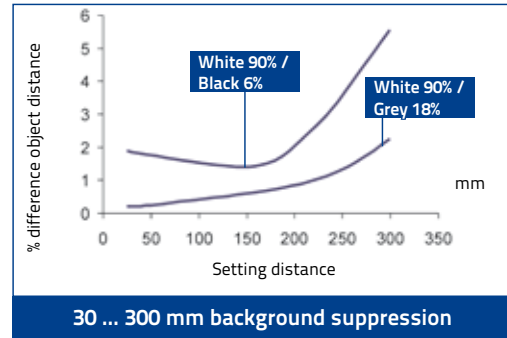
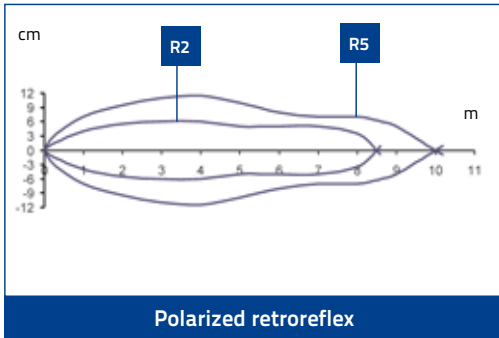
INDICATORS AND SETTINGS



- A** Output status LED
- B** Stability LED or Power ON LED (laser vers.)
- C** Timer adjustment trimmer

- D** Distance adjustment trimmer
- E** Geared numeric scale
- F** M12 connector output
- G** Cable output

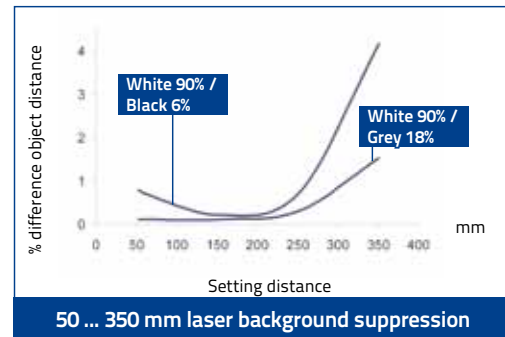
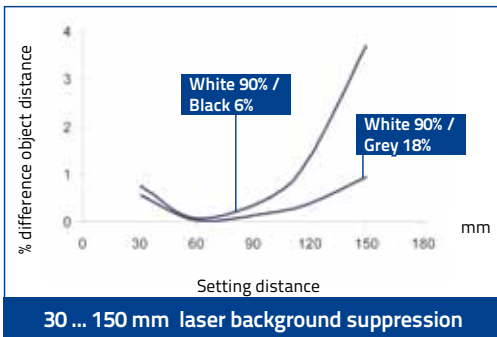
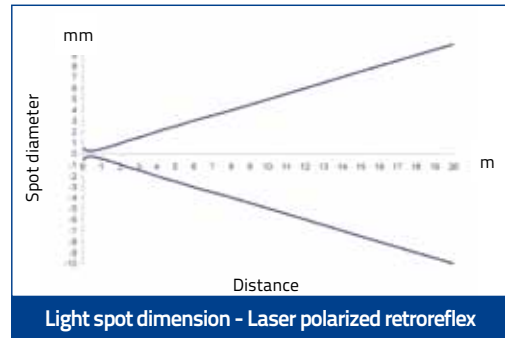
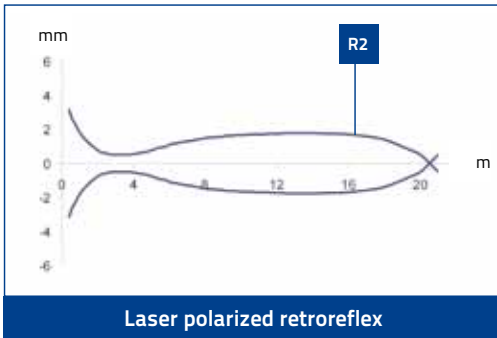
DETECTION DIAGRAMS OF MODELS WITH LED EMISSION



Recommended operating distance
 Maximum operating distance

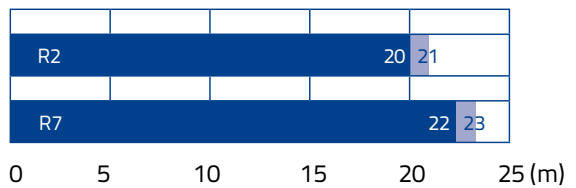
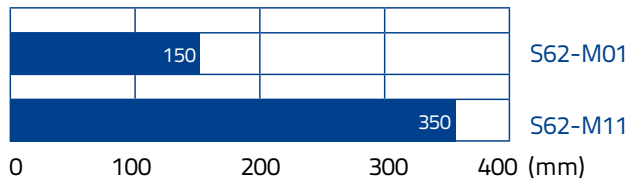
COMPACT SENSORS

DETECTION DIAGRAMS OF MODELS WITH LASER EMISSION



Reflector operating distances (m)				
R1	R2	R6	R7 / R20	R8
0.3 ... 16	0.3 ... 20	0.4 ... 22	0.3 ... 22	0.2 ... 2

The use of the RT3970 reflecting tape is suggested.



- Recommended operating distance
- Maximum operating distance

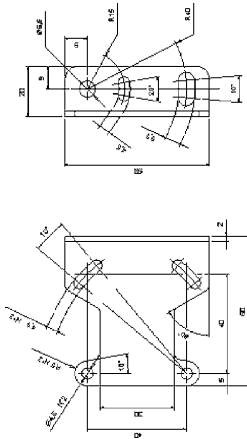
MODEL SELECTION AND ORDER INFORMATION

OPTIC FUNCTION	EMISSION	CONNECTION	OUTPUT	MODEL	ORDER No.		
Retroreflective	LED (red 640nm)	2m Cable	PNP/NPN	S62-PA-2-A01-PN	956211240		
		M12 Connector	PNP/NPN	S62-PA-5-A01-PN	956211310		
		Vac relay	Relay	S62-PA-1-A01-RX	956211180		
Polarized retroreflective	LED (red 640nm)	2m Cable	PNP/NPN	S62-PA-2-B01-PN	956211250		
			PNP	S62-PA-2-B01-PP	956211010		
		M12 Connector	NPN	S62-PA-5-B01-NN	956211020		
			PNP/NPN	S62-PA-5-B01-PN	956211320		
	LASER	M12 Connector	PNP	S62-PA-5-B01-PP	956211000		
			Relay	S62-PA-1-B01-RX	956211190		
Short diffused proximity	LED (red 640nm)	2m Cable	NPN	S62-PA-2-C01-NN	956211420		
			PNP/NPN	S62-PA-2-C01-PN	956211260		
			PNP	S62-PA-2-C01-PP	956211380		
		M12 Connector	NPN	S62-PA-5-C01-NN	956211500		
			PNP/NPN	S62-PA-5-C01-PN	956211330		
			PNP	S62-PA-5-C01-PP	956211460		
	LASER	2m Cable	Relay	S62-PA-1-C01-RX	956211200		
			NPN	S62-PL-2-C01-NN	956211440		
			PNP	S62-PL-2-C01-PP	956211400		
		M12 Connector	NPN	S62-PL-5-C01-NN	956211520		
			PNP	S62-PL-5-C01-PP	956211480		
			Relay	S62-PA-1-C11-RX	956211210		
Long diffused proximity	LED (red 640nm)	2m Cable	NPN	S62-PA-2-C11-NN	956211430		
			PNP/NPN	S62-PA-2-C11-PN	956211270		
			PNP	S62-PA-2-C11-PP	956211390		
		M12 Connector	NPN	S62-PA-5-C11-NN	956211510		
			PNP/NPN	S62-PA-5-C11-PN	956211340		
			PNP	S62-PA-5-C11-PP	956211470		
		Through beam receiver	-	2m Cable	Relay	S62-PA-1-C11-RX	956211220
					NPN	S62-PA-2-F01-NN	956211450
					PNP/NPN	S62-PA-2-F01-PN	956211290
M12 Connector	PNP			S62-PA-2-F01-PP	956211410		
	NPN			S62-PA-5-F01-NN	956211530		
	PNP/NPN			S62-PA-5-F01-PN	956211360		
Through beam emitter	LED (red 640nm)	2m Cable	PNP	S62-PA-5-F01-PP	956211490		
			Relay	S62-PA-1-F01-RX	956211220		
		M12 Connector	Relay	S62-PA-1-G00-XX	956211230		
			-	S62-PA-2-G00-XG	956211300		
Background suppression (short distance)	LED (red 640nm)	2m Cable	-	S62-PA-5-G00-XG	956211370		
			PNP/NPN	S62-PA-2-M01-PN	956211280		
			PNP	S62-PA-2-M01-PP	956201841		
		M12 Connector	NPN	S62-PA-5-M01-NN	956201811		
			PNP/NPN	S62-PA-5-M01-PN	956211350		
			PNP	S62-PA-5-M01-PP	956201831		
	NPN		S62-PA-5-M05-NN	956201801			
	LASER	M12 Connector	PNP	S62-PA-5-M05-PP	956201821		
			NPN	S62-PL-5-M01-NN	956211120		
			PNP	S62-PL-5-M01-PP	956211130		
Relay			S62-PA-2-M11-PP	956201891			
Background suppression (medium distance)	LED (red 640nm)	2m Cable	PNP	S62-PA-2-M11-PP	956201891		
			NPN	S62-PA-5-M11-NN	956201861		
		M12 Connector	PNP	S62-PA-5-M11-PP	956201881		
			NPN	S62-PA-5-M15-NN	956201851		
	LASER	M12 Connector	PNP	S62-PA-5-M15-PP	956201871		
			NPN	S62-PL-5-M11-NN	956211140		
Background suppression (long distance)	LED (infrared 880nm)	2m Cable	PNP	S62-PL-5-M11-PP	956211150		
			NPN	S62-PA-2-M21-PP	956201940		
			PNP	S62-PA-5-M21-PP	956201910		
		M12 Connector	NPN	S62-PA-5-M21-NN	956201900		
			PNP	S62-PA-5-M25-NN	956201930		
			PNP	S62-PA-5-M25-PP	956201920		
Background suppression (very long distance)	LED (infrared 880nm)	2m Cable	PNP	S62-PA-2-M31-PP	956211050		
			NPN	S62-PA-5-M31-NN	956211060		
		M12 Connector	PNP	S62-PA-5-M31-PP	956211070		
			NPN	S62-PA-5-M35-NN	956211080		
			PNP	S62-PA-5-M35-PP	956211090		

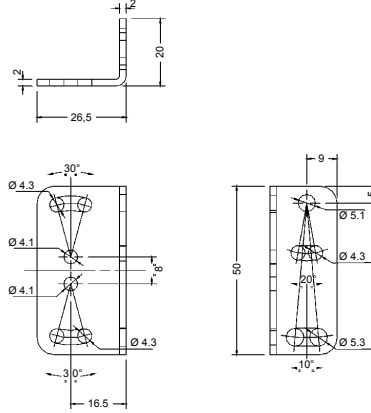
COMPACT SENSORS

ACCESSORIES

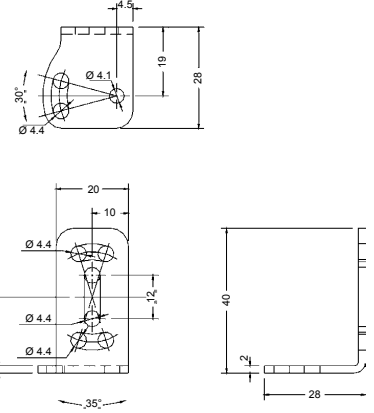
ST-504



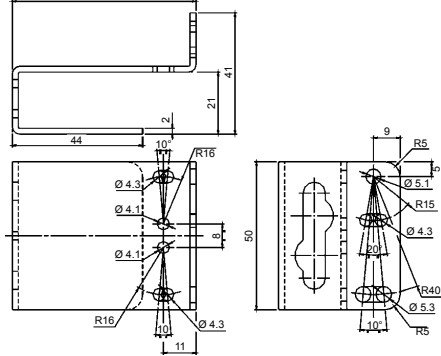
ST-5020



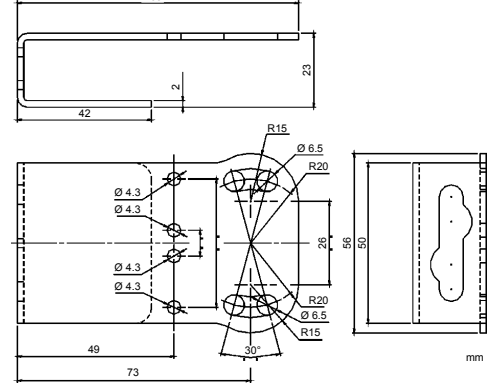
ST-5021



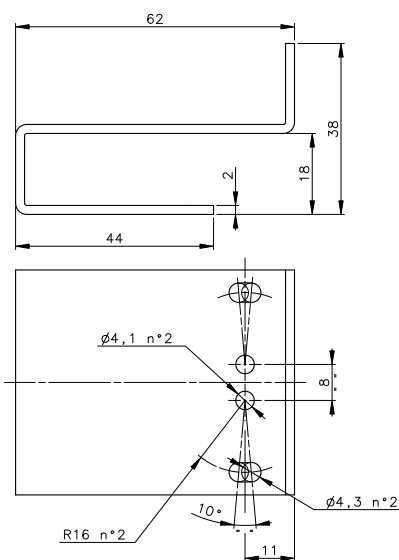
ST-5053



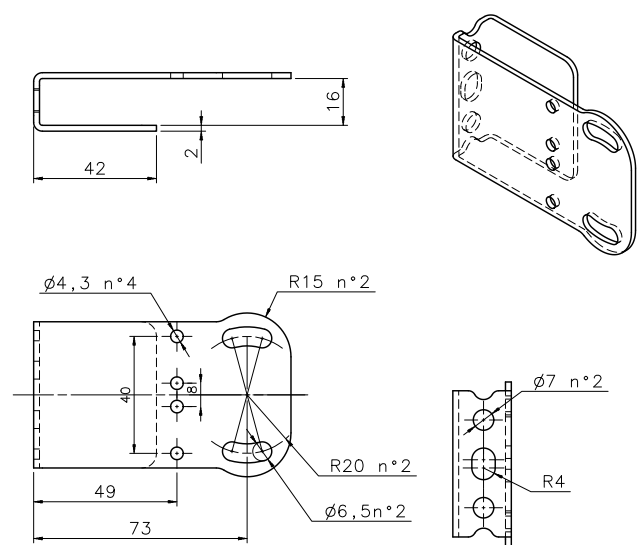
ST-5054



ST-5018



ST-5019



MODEL	DESCRIPTION	ORDER No.
ST-5018	protective bracket	95ACC5310
ST-5019	protective bracket	95ACC5320
ST-5020	mounting bracket	95ACC5330
ST-5021	mounting bracket	95ACC5340
ST-504	mounting bracket	95ACC2820
ST-5053	protective bracket	95ACC2410
ST-5054	protective bracket	95ACC2420
JOINT-S62	protective bracket with jointed support	95ACC2430

CABLES

TYPE	DESCRIPTION	LENGTH	MODEL	ORDER No.
Axial M12 Connector	4-pole, grey, P.V.C.	3 m	CS-A1-02-G-03	95A251380
		5 m	CS-A1-02-G-05	95A251270
		7 m	CS-A1-02-G-07	95A251280
		10 m	CS-A1-02-G-10	95A251390
	4-pole, P.U.R.	2 m	CS-A1-02-R-02	95A251540
		5 m	CS-A1-02-R-05	95A251560
Radial M12 Connector	4-pole, grey, P.V.C.	3 m	CS-A2-02-G-03	95A251360
		5 m	CS-A2-02-G-05	95A251240
		7 m	CS-A2-02-G-07	95A251245
		10 m	CS-A2-02-G-10	95A251260
	4-pole, P.U.R.	2 m	CS-A2-02-R-02	95A251550
		5 m	CS-A2-02-R-05	95A251570
Radial M12 Connector with LED (for PNP N.O. sensors)	4-pole, grey, P.V.C.	3 m	CS-A2-12-G-03	95A251400
		5 m	CS-A2-12-G-05	95A251350
		10 m	CS-A2-12-G-10	95A251370
Axial M12 Connector	4-pole, shielded, black, P.V.C.	3 m	CV-A1-22-B-03	95ACC1480
		5 m	CV-A1-22-B-05	95ACC1490
		10 m	CV-A1-22-B-10	95ACC1500
		15 m	CV-A1-22-B-15	95ACC2070
		25 m	CV-A1-22-B-25	95ACC2090
Radial M12 Connector	4-pole, shielded, black, P.V.C.	3 m	CV-A2-22-B-03	95ACC1540
		5 m	CV-A2-22-B-05	95ACC1550
		10 m	CV-A2-22-B-10	95ACC1560
Axial M12 Connector	4-pole, U.L., black, P.V.C.	3 m	CS-A1-02-U-03	95ASE1120
		5 m	CS-A1-02-U-05	95ASE1130
		10 m	CS-A1-02-U-10	95ASE1140
		15 m	CS-A1-02-U-15	95ASE1150
		25 m	CS-A1-02-U-25	95ASE1160
Radial M12 Connector	4-pole, black	Connector- not cabled	CS-A1-02-B-NC	G5085002
		Connector- not cabled	CS-A2-02-B-NC	G5085003