

Universal high-capacity amplifier

Series URA

Outputs

4...20 mA

0...10 V

Relay output

PNP output

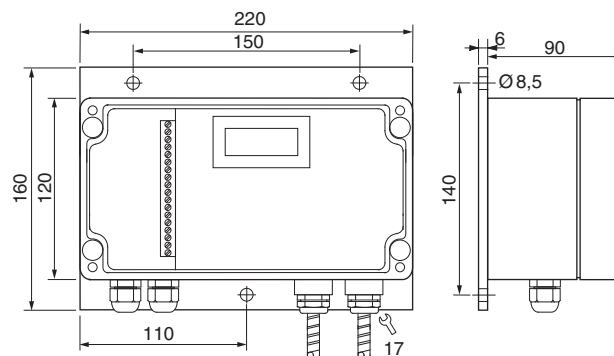
Discriminator



Design

URA 5001

Dimensions



ID-No.

P50029

Type

URA 5001

Supply voltage [V]

24 DC / 230 AC ±10%

Current consumption [mA]

70 DC / 20 AC

Ambient temperature [°C]

-20...+70

EMC-class

A

Protection [EN60529]

IP 65

Display

LCD

Housing material

aluminium

Output



4...20 mA



0...10 V



PNP



Relay

Switching current [mA]

-

200

400

Detection frequency [kHz]

8

8

6

0,01

Accuracy [%]

3

3

5

5

Load resistance R_L [Ω]

200...500

500...5000

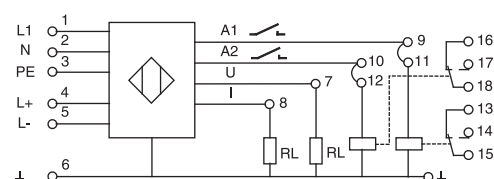
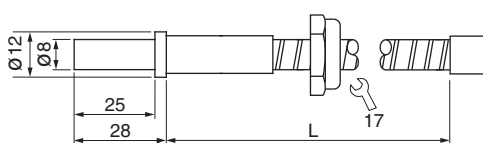
-

-

Connection

terminal screws

Fibre-optic cable rapid action coupling



Accessories

see page 5.11