

Amplifier for detector coils

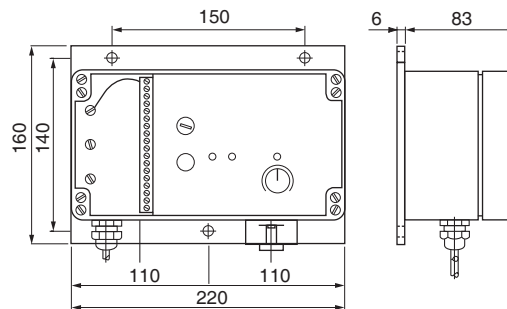
Series MDV

- Automatic regulation adaption
- Waterproof IP 67
- For detector coil with cable plug
- With sensitivity adjustment knob
- Test button



Design MDV 3220

Dimensions



| ID-No. | P81060 | P81061 |
|--------------------------|-----------------------------|-------------|
| Type | MDV 3220 WR2 | MDV 3220 GR |
| Supply voltage [V] | 230 AC ±10% | 24 DC ±10% |
| Current consumption [mA] | <20 | <100 |
| Output | Relay / Change over contact | |
| Switching voltage | 250 V AC / 220 V DC | |
| Switching current | 1 A AC / 2 A DC | |
| Switching power | 125 VA / 60 W | |
| Ambient temperature [°C] | -25...+70 | |
| EMC class | A | |
| Protection [EN 60529] | IP 67 | |
| Display | LED | |
| Cable diameter [mm] | 4...10 | |
| Housing material | Aluminium | |
| Connection | Screw terminals | |

Note:

With the potentiometer it is possible to adjust the sensitivity.

The amplifier MDV 3220 has a relay-change over-function. During metal detection, the relay is activa-ted and contact 4-5 is closed (2-5 is open).

By pushing the test button it is possible to test the complete function of the MDV 3220.

