

## Analog output

### Series DN 752

Monitoring sensor for gases and fluids

Fast and easy programming

Analog output model

7-segment display

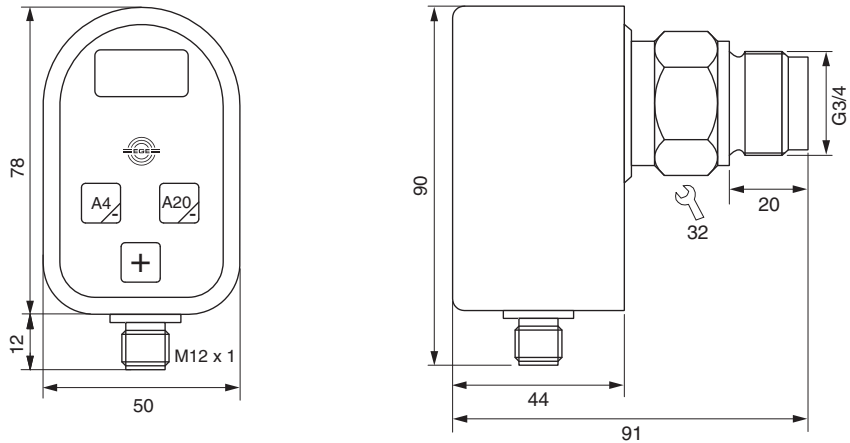
Display rotatable



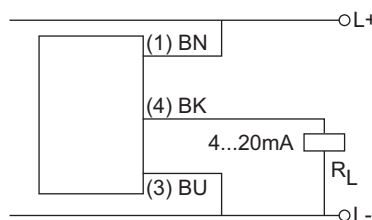
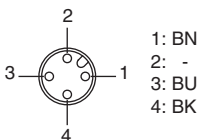
### Design

DC • G3/4

### Dimensions



Sensing range	[bar]	0...1 relative	0...16 relative
Output		4...20 mA	
ID-No.		P72016	P72017
Type		DN 752 GA-01	DN 752 GA-16
Supply voltage	[V]	24 DC ±20%	
Current output	[mA]	4...20 linear	
Load R <sub>L</sub>	[Ω]	200...500	
Current consumption	[mA]	<50	
Ambient temperature	[°C]	-20...+70	
Medium temperature	[°C]	-20...+80	
Compressive strength	[bar]	5	48
Sensor material		AISI 316 Ti	
Material gauge head		Ceramic	
Sealing material		FPM	
Housing material		PBT	
Protection	[EN 60529]	IP 65	
Connection		M12 connector	



### Accessories

Connecting cable Type SLG 3-2 (Z01076)