

Two switching points

Series ARK

Rectangular housing 100x36 mm

DC 12...30 V

Two independent switching points

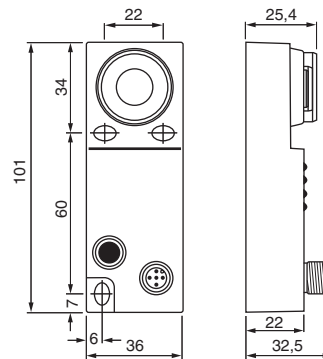
Teach-in programming

Sync input

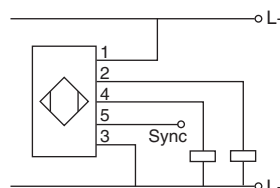
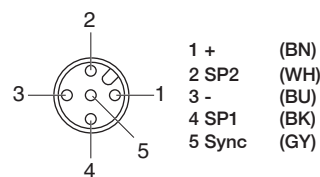
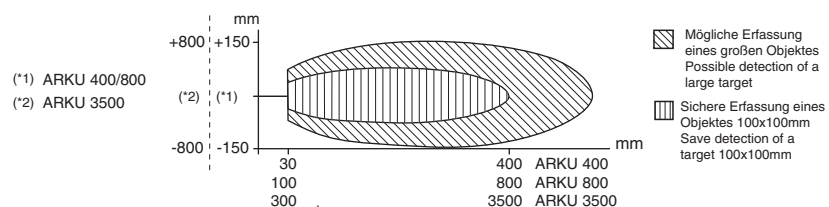


Design DC PNP • rectangular housing 100x36

Dimensions



Sensing range [mm]	30...400	100...800	300...3500
Output	2x	2x	2x
ID-No.	P72020	P72021	P72022
Type	ARKU 400 GPP	ARKU 800 GPP	ARKU 3500 GPP
Supply voltage [V]	12...30 DC		
Current consumption [mA]	35		
Switching current [mA]	400		
Repeatability [%]	0.2	0.1	0.2
Ambient temperature [°C]	-15...+70		
Protection [EN 60529]	IP 67		
Housing material	PBTP		
Connection	M12 connector		



Accessories Connecting cable type SLG 5-2 (Z01150), SLW 5-2 (Z01151)