

Analog output

Series DN 752

Monitoring sensor for gases

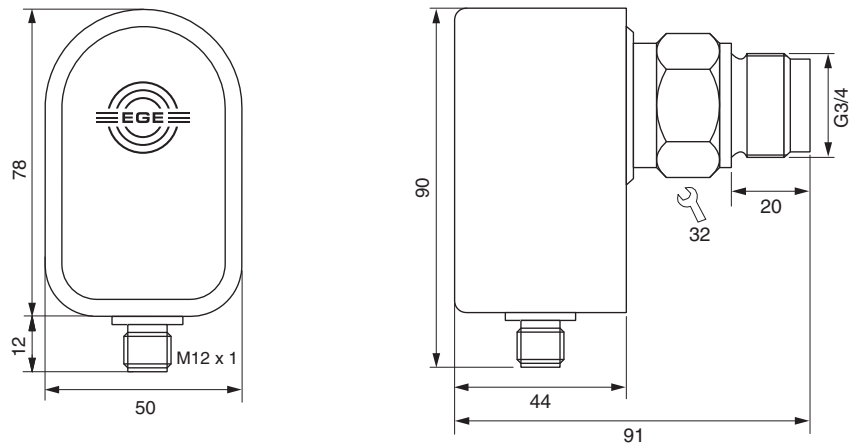
Measuring range
0...30 mbar relative



Design

DC • G3/4

Dimensions



Sensing range	[mbar]	0...30 relative
Output		4...20 mA
ID-No.		P72032
Type		DN 752 GA-003
Supply voltage	[V]	24 DC $\pm 10\%$
Load resistance R_L	[Ω]	200...500
Current consumption	[mA]	<20
Ambient temperature	[$^{\circ}\text{C}$]	-20...+70
Medium temperature	[$^{\circ}\text{C}$]	-20...+70
Compressive strength [mbar]		160
Material sensor		AISI 316 Ti
Material measuring cell		Ceramic
Sealing material		FPM
Housing material		PBT
Protection	[EN 60529]	housing / measuring cell: IP 60
Connection		M12 connector
Accessories		connecting cable type SLG 3-2 (Z01076)