

### MAIN FEATURES

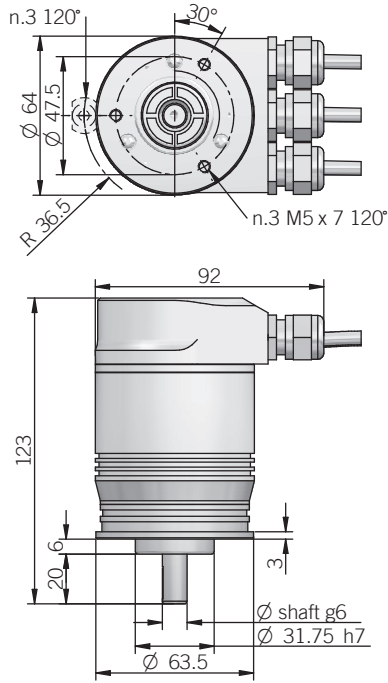
Industry standard multiturn absolute encoder for factory automation applications.

- Optical sensor technology (OptoASIC + gears)
- 25 bit total resolution (13 bit single turn (8192 ppr) + 12 bit multiturn (4096 turns))
- Power supply up to +28 V DC with Profibus DP as electrical interface
- Intelligent status leds
- Terminal box or M12 connector for fast setup
- Solid shaft diameter up to 10 mm
- Mounting by synchronous, clamping or centering 2,5" square flange



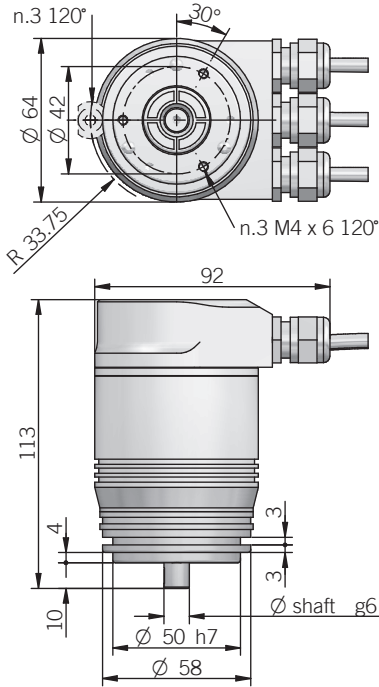
EAM	63A	R	4096 / 4096	B	12/28	FX	10	X	6	P3R	.XXX
<b>SERIES</b> multiturn absolute encoder <b>EAM</b>											
<b>MODEL</b> synchronous flange ø 31.75 mm <b>63A</b> synchronous flange ø 50 mm <b>58B</b> clamping flange ø 36 mm <b>58C</b> centering square flange ø 31.75 mm <b>63D</b> centering square flange ø 50 mm <b>63E</b>											
rev. 2.0 R											
<b>MULTITURN RESOLUTION</b> turns <b>4096</b>											
<b>SINGLETURN RESOLUTION</b> ppr <b>4096 / 8192</b>											
<b>CODE TYPE</b> binary <b>B</b>											
<b>POWER SUPPLY</b> 12 ... 28 V DC <b>12/28</b>											
<b>ELECTRICAL INTERFACE</b> PROFIBUS DP V0 CLASS 2 <b>FX</b>											
<b>SHAFT DIAMETER</b> (mod. 58 B) mm <b>6</b> (mod. 63 A / D) (3/8") 9,52 mm <b>9</b> (mod. 58 C - 63 A / D / E) mm <b>10</b>											
<b>ENCLOSURE RATING</b> IP 54 <b>X</b> IP 66 <b>S</b>											
<b>MAX ROTATION SPEED</b> (IP 66) 3000 rpm <b>3</b> (IP 54) 6000 rpm <b>6</b>											
<b>OUTPUT TYPE</b> terminal box - radial cable glands <b>P3R</b> radial M12 connector <b>M12R</b>											
female connector included, without female please add 162 as variant code											
<b>VARIANT</b> custom version <b>XXX</b>											

63 A



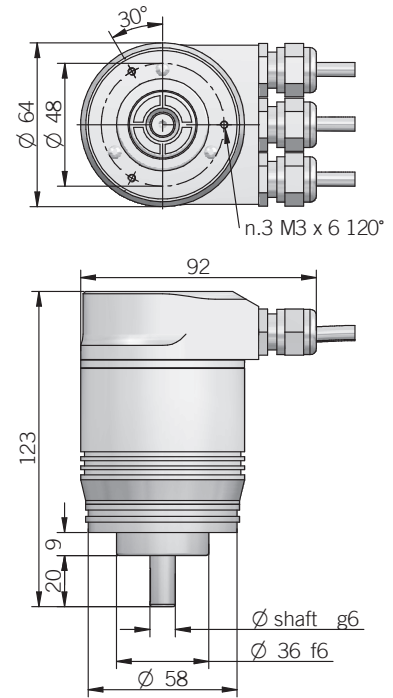
fixing clamps not included, please refer to Accessories section

58 B

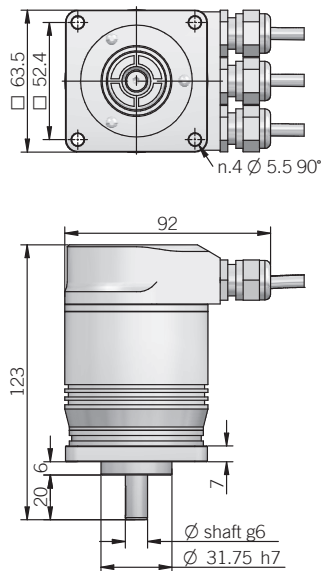


fixing clamps not included, please refer to Accessories section

58 C

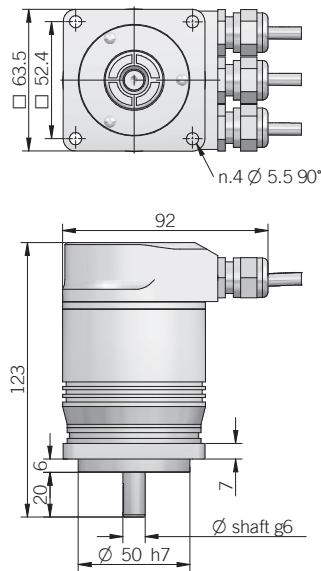


63 D



dimensions in mm

63 E



### ELECTRICAL SPECIFICATIONS

<b>Multiturn resolution</b>	1 ... 4096 turns programmable during commissioning
<b>Singleturn resolution</b>	2 ... 4096 / 2 ... 8192 ppr programmable during commissioning
<b>Power supply</b>	11,4 ... 29,4 V DC
<b>Current consumption without load</b>	300 mA
<b>Output type</b>	RS 485 galvanically isolated
<b>Max bus frequency</b>	12 Mbaud
<b>Diagnostic features</b>	frequency warning position warning / alarm please refer to installation manual for more informations
<b>Max frequency</b>	max 25 kHz LSB
<b>Accuracy</b>	± 1/2 LSB
<b>Counting direction</b>	programmable during commissioning
<b>Start-up time</b>	500 ms
<b>Electromagnetic compatibility</b>	according to 2014/30/EU directive
<b>RoHS</b>	according to 2011/65/EU directive
<b>UL / CSA</b>	certificate n. E212495

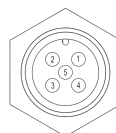
### MECHANICAL SPECIFICATIONS

<b>Shaft diameter</b>	ø 6 / 9,52 (3/8") / 10 mm
<b>Enclosure rating</b>	X = IP 54 (IEC 60529) S = IP 66 (IEC 60529)
<b>Max rotation speed</b>	IP 54 - 6000 rpm IP 66 - 3000 rpm
<b>Max shaft load</b>	10 N axial / 20 N radial with ø6 shaft 100 N axial / radial
<b>Shock</b>	50 G, 11 ms (IEC 60068-2-27)
<b>Vibration</b>	10 G, 10 ... 2000 Hz (IEC 60068-2-6)
<b>Moment of inertia</b>	1,5 x 10 <sup>-6</sup> kgm <sup>2</sup> (36 x 10 <sup>-6</sup> lbft <sup>2</sup> )
<b>Starting torque (at +20°C / +68°F)</b>	< 0,02 Nm (2,83 Ozin) IP 54 < 0,06 Nm (8,50 Ozin) IP 66
<b>Bearing stage material</b>	EN-AW 2011 aluminum
<b>Shaft material</b>	1.4305 / AISI 303 stainless steel
<b>Housing material</b>	painted aluminium
<b>Bearings</b>	2 ball bearings
<b>Bearings life</b>	10 <sup>9</sup> revolutions
<b>Operating temperature</b>	0° ... +60°C (+32° ... +140°F)
<b>Storage temperature</b>	-15° ... +70°C (+5° ... +158°F)
<b>Weight</b>	650 g (22,93 oz)

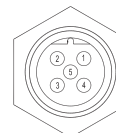
### CONNECTIONS

Function	Pin M12A male	Pin M12B female	Pin M12B male
+ V DC	2		
0 V	4		
signal A (out)		2	
signal B (out)		4	
signal A (in)			2
signal B (in)			4

S3 connector  
(M12 5 pins A coded)  
power supply  
view solder side FV



S3 connector  
(M12 5 pins B coded)  
line out - female  
view solder side FV



S3 connector  
(M12 5 pins B coded)  
line in - male  
view solder side MV

