

### MAIN FEATURES

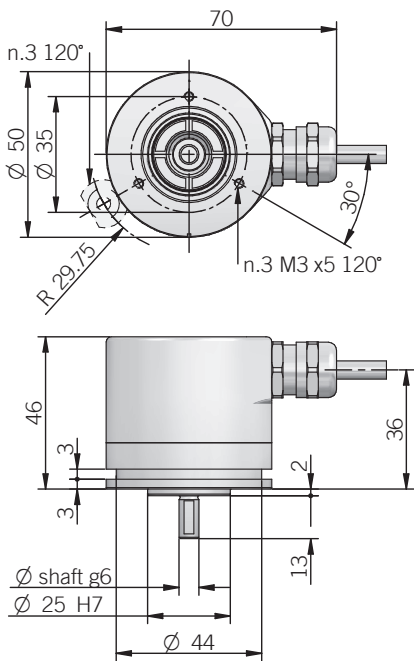
Singleturn absolute magnetic encoder size 50 mm with solid shaft

- Resolution 12 bit
- Power supply up to +28 V DC with analogue (voltage or current) as electrical interface
- Code reset for easy setup
- Cable or M12 output, other connector available on cable end
- Sturdy construction (separated chambers)
- Solid shaft diameter up to 10 mm
- IP 67 enclosure rating
- Mounting by synchronous flange



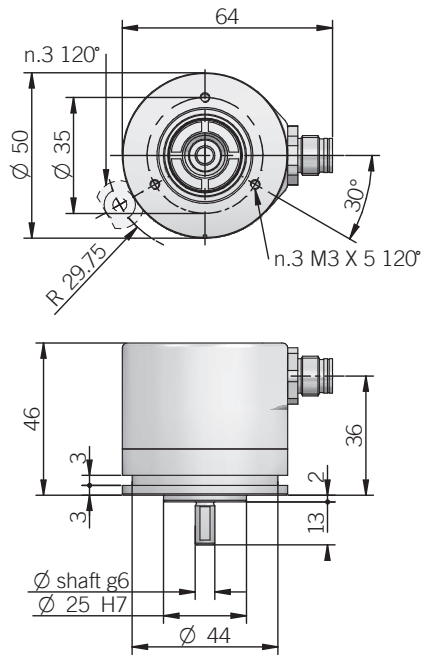
ORDERING CODE	EML	50A	360	X	12/28	V	05	X	6	X	3	P	R	.XXX
<b>SERIES</b> analogue magnetic singleturn absolute encoder <b>EML</b>														
<b>MODEL</b> synchronous flange ø 25 mm <b>50A</b> synchronous flange ø 30 mm <b>50B</b> synchronous flange ø 25 mm anodized <b>50BY</b>														
<b>ACTIVE ANGLE</b> degrees <b>360</b> degrees <b>270</b> degrees <b>180</b> degrees <b>90</b>														
<b>OPTION</b> to be reported if not used <b>X</b> reset <b>ZE</b>														
<b>POWER SUPPLY</b> 12 ... 28 V DC <b>12/28</b>														
<b>ELECTRICAL INTERFACE</b> voltage <b>V</b> current <b>I</b>														
<b>OUTPUT RANGE</b> 0 ... 5 V <b>05</b> 0 ... 10 V <b>010</b> 0 ... 20 mA <b>020</b> 4 ... 20 mA <b>420</b>														
<b>OPTIONS</b> to be reported with voltage output / 3 wires current output <b>X</b> 4 wires current output <b>Q</b>														
<b>SHAFT DIAMETER</b> mm <b>6</b> mm <b>8</b> (3/8") 9,52 mm <b>9</b> mm <b>10</b>														
<b>ENCLOSURE RATING</b> IP 65 <b>X</b> IP 67 <b>S</b>														
<b>MAX ROTATION SPEED</b> 3000 rpm <b>3</b>														
<b>OUTPUT TYPE</b> cable (standard length 0,5 m) <b>P</b> M12 connector <b>M12</b> female connector included, without female please add 162 as variant code														
<b>DIRECTION TYPE</b> axial <b>A</b> radial <b>R</b>														
<b>VARIANT</b> custom version <b>XXX</b>														

**50 A**  
radial cable output



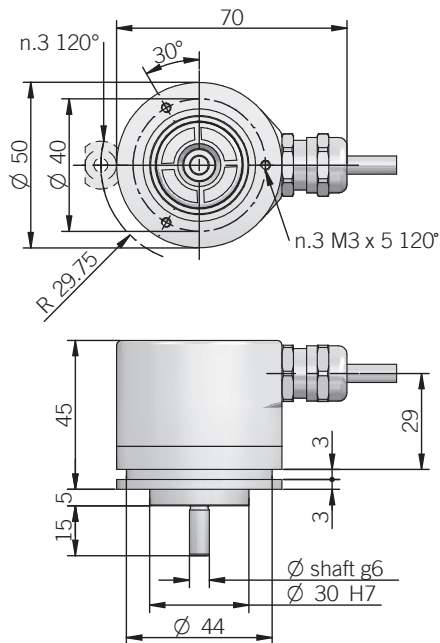
fixing clamps not included, please refer to Accessories section

**50 A**  
radial M12 output



fixing clamps not included, please refer to Accessories section

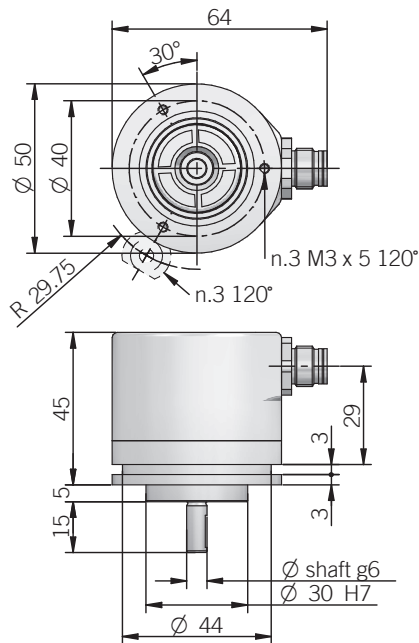
**50 B / BY**  
radial cable output



fixing clamps not included, please refer to Accessories section

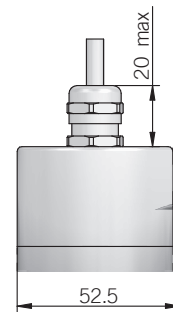
dimensions in mm

**50 B / BY**  
radial M12 output



fixing clamps not included, please refer to Accessories section

**Axial output**



**ELECTRICAL SPECIFICATIONS**

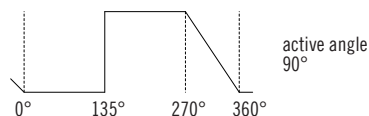
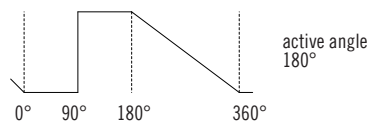
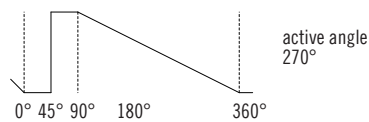
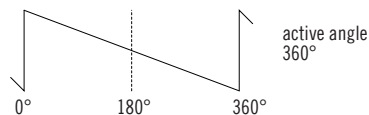
<b>Resolution</b>	12 bit per revolution
<b>Output update frequency</b>	100 kHz
<b>Active angle</b>	90 ... 360 mechanical degrees
<b>Power supply</b>	11,4 ... 29,4 V DC (reverse polarity protection)
<b>Current consumption without load</b>	40 mA max
<b>Output type</b>	voltage (0 ... 5 V / 0 ... 10 V) current (0 ... 20 mA / 4 ... 20 mA)
<b>Auxiliary inputs (U/D - Reset)</b>	active high (+V DC) connect to 0V if not used / Reset tmin 150 ms
<b>Load</b>	$R_{min} = 1 \text{ k}\Omega$ (voltage output) $R_{max} = (V_{DC} - 2) / 0.02$ (current output)
<b>Linearity error</b>	< 1 %
<b>Signal pattern</b>	decreasing clockwise (shaft view)
<b>Start-up time</b>	150 ms
<b>Electromagnetic compatibility</b>	according to 2014/30/EU directive
<b>RoHS</b>	according to 2011/65/EU directive
<b>UL / CSA</b>	certificate n. E212495

**CONNECTIONS**

Function	Cable (voltage)	Cable (current)	5 pin M12	8 pin M12*
+ V DC	red	red	2	8
0 V	black	black	4	5
V <sub>out</sub>	green	/	3	/
I <sub>in</sub>	/	yellow	3	3
I <sub>out</sub>	/	green	/	2
U / D	blue	blue	5	7
RESET	white	white	1	1
⏏	shield	shield	housing	housing

\* with Q current output

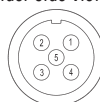
**SIGNAL PATTERN (decreasing CW)**



**MECHANICAL SPECIFICATIONS**

<b>Shaft diameter</b>	ø 6 / 8 / 9,52 (3/8") / 10 mm
<b>Enclosure rating</b>	X = IP 65 (IEC 60529) S = IP 67 (IEC 60529)
<b>Max rotation speed</b>	3000 rpm continuous / 5000 rpm peak
<b>Max shaft load</b>	30 N axial / 50 N radial
<b>Shock</b>	50 G, 11 ms (IEC 60068-2-27)
<b>Vibration</b>	20 G, 10 ... 2000 Hz (IEC 60068-2-6)
<b>Moment of inertia</b>	0,5 x 10 <sup>-6</sup> kgm <sup>2</sup> (12 x 10 <sup>-6</sup> lbf <sup>2</sup> )
<b>Starting torque (at +20°C / +68°F)</b>	< 0,03 Nm (4,25 Ozin)
<b>Bearing stage material</b>	EN-AW 2011 aluminum
<b>Shaft material</b>	1.4305 / AISI 303 stainless steel
<b>Housing material</b>	EN-AW 2011 aluminum
<b>Bearings</b>	2 ball bearings
<b>Bearings life</b>	10 <sup>9</sup> revolutions
<b>Operating temperature</b>	-25° ... +85°C (-13° ... +185°F)
<b>Storage temperature</b>	-25° ... +85°C (-13° ... +185°F)
<b>Weight</b>	200 g (7,05 oz)

M12 connector (5 pin)  
M12 A coded  
solder side view FV

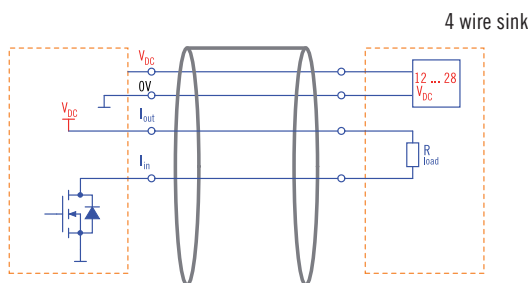
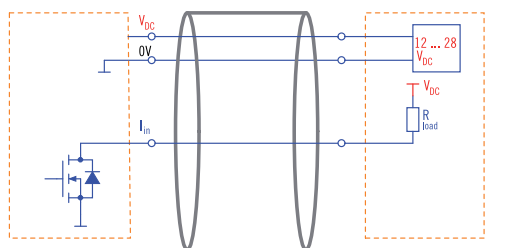


M12 connector (8 pin)  
M12 A coded  
solder side view FV



**ELECTRICAL INTERFACE**

Current output



Voltage output

