

ITEM 098225 CES-AR-AES-12

Description	Technical data	Accessories	Downloads
-------------	----------------	-------------	-----------



Features

- › Central evaluation of an AR switch chain
- › Status of each individual switch can be seen
- › For switch chains of up to 12 devices
- › Four individual safe relay contacts
- › Category 4/PLe according to EN ISO 13849-1

Important: A switch chain comprising the following switches can be connected to the AR evaluation unit:

CES-AR-C01 / CES-AR-C02 / CES AR-C04 / ESL-AR / CET- AR / CTP-AR

Function

The AR evaluation unit is used to evaluate the individual safety switches in a CES-AR-... switch chain and the safe interruption of a safety circuit.

The unit has two inputs for connection of a CES-AR... switch chain. The safety contacts are switched as a function of the input signals. Downstream parts of the safety circuit can be monitored using a feedback loop.

The switching states of the connected safety switches can be signaled by means of monitoring outputs.

If the actuator on one of the safety switches in the switch chain is moved out of the operating distance, the AR evaluation unit opens its contacts and the corresponding monitoring output is reset.

The system is designed so that failures will not result in the loss of the safety

function. The occurrence of failures is detected by cyclic self-monitoring at the latest at the next demand to close the safety contacts.

The system can be started either manually using a start button or automatically.

Category according to EN ISO 13849-1

Due to two redundant safety paths (relay contacts) with 2 internal, monitored normally open contacts per safety path, suitable for:

› Category 4/PL e according to EN ISO 13849-1

Each safety path is independently safe.

LED indicator

STATE Status LED

DIA Diagnostics LED

OUT Safe state/self-test

Important:The plug-in connection terminals are not included and must be ordered separately.

Approvals



Mechanical values and environment

Dimensions	114 x 99 x 45
Housing material	Plastic PA6.6
Weight	
Net	0,25 kg
Ambient temperature	
At $U_B = DC 24 V$	-20 ... 55 °C
Atmospheric humidity	
Not condensing	max.80 % rH
Degree of protection	IP20
Resilience to vibration	In acc. with EN 60947-5-2
Mounting method	Mounting rail 35 mm according to EN 60715
Ready delay	max.8 s ^[1]
Connection	Plug-in screw terminals coded
Number of LED displays	3
	O1 ... O12
Number of monitoring outputs	12
	Start button S
Manual start operating mode	
Duration of operation of start button	min.250 ms
Response delay start button	300 ... 600 ms

	13/14, 23/24, 33/34, 43/44
Number of safety contacts	4 Relays with internally monitored contacts
Mechanical life	Relay 10 x 10 ⁶
Switching frequency	1 Hz [2]

Electrical connection ratings

Operating voltage DC	U _B	24 -10% ... 10% V DC Regulated, residual ripple < 5 %
Current consumption	IB (with relay energized)	1200 mA [3]
Fusing	External (operating voltage U _B)	2,5 ... 8 A
Rated insulation voltage U _i		250 V
Rated impulse withstand voltage U _{imp}		4 kV
EMC protection requirements		In acc. with EN 60947-5-3
Degree of contamination (external, according to EN 60947-1)		2
Connection cross-section		0,14 ... 2,5 mm ²
Switching delay from state change		max.480 ms [4]
		STATE
LED indicator	STATE	Green LED: Status of the device
		OUT
LED indicator	OUT	Yellow LED: State of the AR chain
		DIA
LED indicator	DIA	Red LED: Fault display
		O1 ... O12
Type of output		Semiconductor outputs, p-switching, short circuit-proof
Output voltage	High	U _B - 20% ... U _B V DC
	LOW	0 ... 1 V DC
Output current		max.20 mA
		DIA
Type of output		Semiconductor output, p-switching, short circuit-proof
Output voltage	HIGH	U _B - 20% ... U _B V DC
	LOW	0 ... 1 V DC
Output current		max.20 mA
		OUT AR
Type of output		Semiconductor output, p-switching, short circuit-proof
Output voltage		

	HIGH	UB - 20 % ... UB V DC
	LOW	0 ... 1 V DC
Output current		max.20 mA
		Start button S
Input current		
	HIGH	5 ... 8 ... 10 mA
Input voltage		
	LOW	0 ... 2 V DC
	HIGH	15 ... UB V DC
		Y1/Y2
Current via feedback loop		5 ... 8 ... 10 mA
permissible resistance in feedback loop		max.600 Ω
		IA, IB
Number of connectible safety switches		max.12
Safety inputs		2 (for CES-AR switch chain)
		13/14, 23/24, 33/34, 43/44
Switching current		
Relay outputs (at switching voltage AC/DC 21 ... 60 V)		1 ... 300 mA
Relay outputs (at switching voltage AC/DC 5 ... 30 V)		10 ... 6000 mA
Relay outputs (at switching voltage AC 5 ... 230 V)		10 ... 5000 mA
Fusing		
External (safety circuit) according to EN 60269-1		6 AgG or 6 A circuit breaker (characteristic B or C)
Utilization category according to EN 60947-5-1		
	AC-15	230 V 5 A
	DC-13	24 V 5 A
	AC-12	60 V 0.3 A 30 V 6 A
	DC-12	60 V 0.3 A 30 V 6 A
Discrepancy time		
Between the operating points of both relays		max.25 ms

Reliability values acc. to EN ISO 13849-1

	Monitoring of the safety guard position
Category	4 [5]
Performance Level	PL e [6]
PFH _D	1.5 x 10 ⁻⁸ [7]

Number of switching cycles	$\leq 0.1 \text{ A at } 24 \text{ V DC}$ max.720000 1/Jahr $\leq 1 \text{ A at } 24 \text{ V DC}$ max.540000 1/Jahr $\leq 3 \text{ A at } 24 \text{ V DC}$ max.107000 1/Jahr
Mission time	20 y [8]

[1] After the operating voltage is switched on, the relay outputs are switched off and the monitoring outputs are set LOW during the ready delay. For the visual indication of the delay, the green STATE LED flashes at a frequency of approx. 15 Hz.

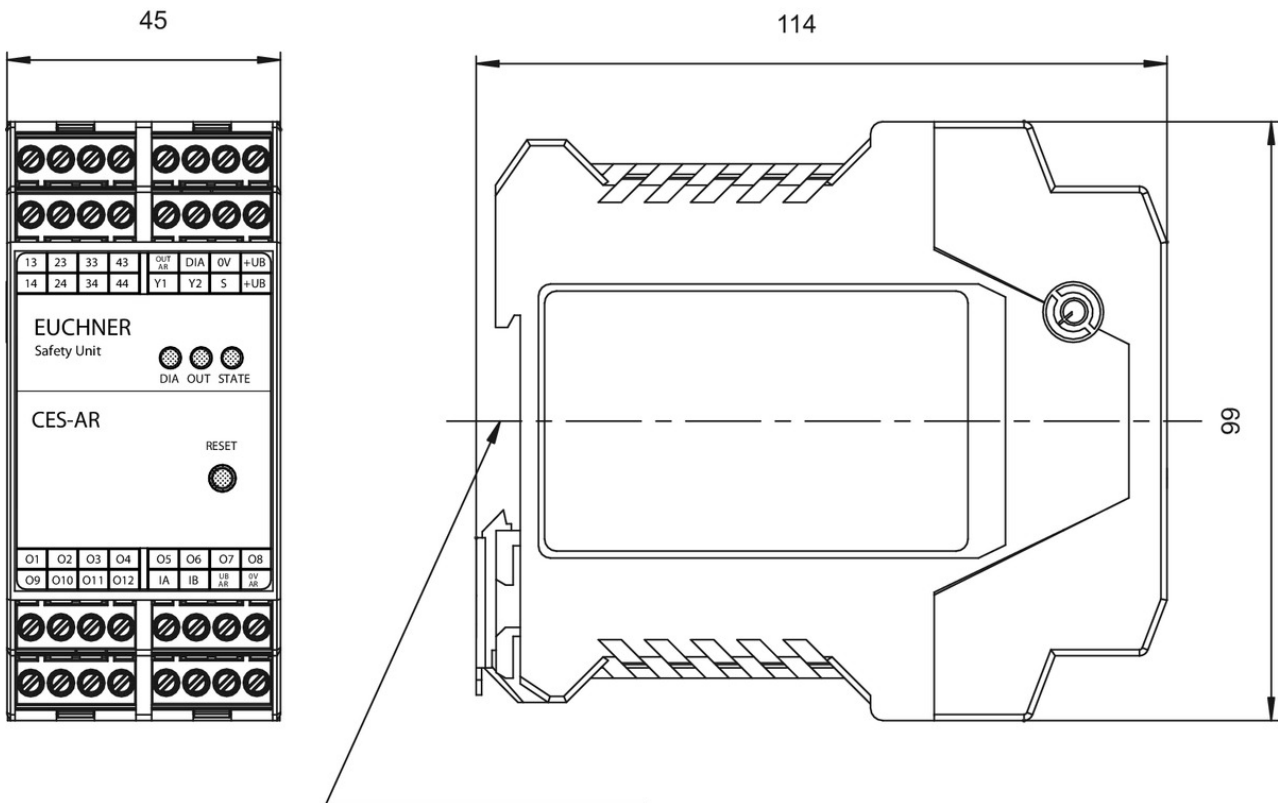
[2] If the current load is $> 100 \text{ mA}$, a switching frequency of 0.1 Hz should not be exceeded as this will affect the mechanical life of the relay contacts.

[3] Taking into account the load currents at the monitoring outputs (20 mA each)

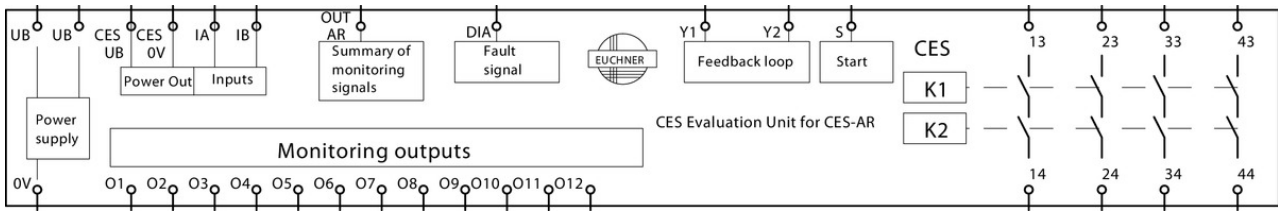
[4] Corresponds to the risk time according to EN 60947-5-3. This is the maximum switch-off delay for the safety outputs following removal of the actuator.

[5, 6, 7, 8] This value is dependent on the number of switching cycles and the switching current.

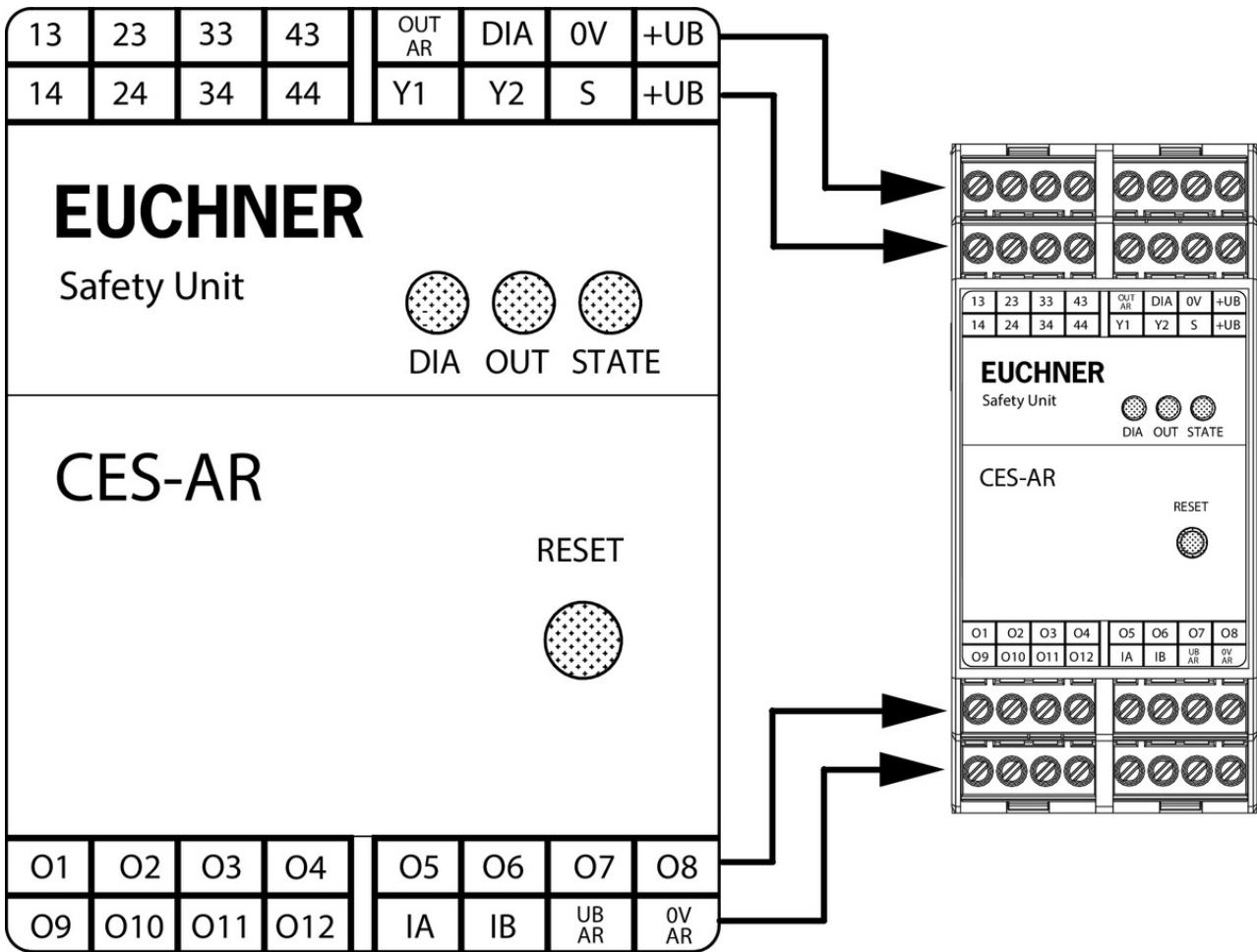
Dimension drawing



Block diagram



Terminal assignment



Additional system components

- ✓ Non-contact safety switch CES-AR-CR2-... , plug connector M8



105750 CES-AR-CR2-CH-SG-105750

- ✓ Features

- › Safety switch with integrated evaluation electronics
- › Up to 20 switches in series
- › Short circuit monitoring
- › 2 safety outputs (semiconductor outputs)
- › Door hinge right
- › Category 4/PL e according to EN ISO 13849-1
- › Plug connector M8, 8-pin
- › Multicode
- › Two safety screws M4x14 included



105751 CES-AR-CR2-AH-SG-105751

✓ Features

- › Safety switch with integrated evaluation electronics
- › Up to 20 switches in series
- › Short circuit monitoring
- › 2 safety outputs (semiconductor outputs)
- › Door hinge right
- › Category 4/PL e according to EN ISO 13849-1
- › Plug connector M8, 8-pin
- › Unicode
- › Two safety screws M4x14 included

✓ Non-contact safety switch CES-AR-CL2-... , plug connector M8



105752 CES-AR-CL2-CH-SG-105752

✓ Features

- › Safety switch with integrated evaluation electronics
- › Up to 20 switches in series
- › Short circuit monitoring
- › 2 safety outputs (semiconductor outputs)
- › Door hinge left
- › Category 4/PL e according to EN ISO 13849-1
- › Plug connector M8, 8-pin
- › Multicode
- › Two safety screws M4x14 included



105753 CES-AR-CL2-AH-SG-105753

✓ Features

- › Safety switch with integrated evaluation electronics
- › Up to 20 switches in series
- › Short circuit monitoring
- › 2 safety outputs (semiconductor outputs)
- › Door hinge left
- › Category 4/PL e according to EN ISO 13849-1
- › Plug connector M8, 8-pin
- › Unicode
- › Two safety screws M4x14 included

✓ Non-contact safety switch CES-AR-CR2-... , plug connector M12, PUR



105745 CES-AR-CR2-CH-SA-105745

✓ Features

- › Safety switch with integrated evaluation electronics
- › Up to 20 switches in series
- › Short circuit monitoring
- › 2 safety outputs (semiconductor outputs)
- › Door hinge right
- › Category 4/PL e according to EN ISO 13849-1
- › Connection cable PUR, 1 m, plug connector M12, 8-core
- › Multicode
- › Two safety screws M4x14 included

105746 CES-AR-CR2-AH-SA-105746



▼ Features

- › Safety switch with integrated evaluation electronics
 - › Up to 20 switches in series
 - › Short circuit monitoring
 - › 2 safety outputs (semiconductor outputs)
 - › Door hinge right
 - › Category 4/PL e according to EN ISO 13849-1
 - › Connection cable PUR, 1 m, plug connector M12, 8-core
 - › Unicode
 - › Two safety screws M4x14 included
-

▼ Non-contact safety switch CES-AR-CL2-... , plug connector M12, PUR



105747 CES-AR-CL2-CH-SA-105747

▼ Features

- › Safety switch with integrated evaluation electronics
 - › Up to 20 switches in series
 - › Short circuit monitoring
 - › 2 safety outputs (semiconductor outputs)
 - › Door hinge left
 - › Category 4/PL e according to EN ISO 13849-1
 - › Connection cable PUR, 1 m, plug connector M12, 8-core
 - › Multicode
 - › Two safety screws M4x14 included
-



105748 CES-AR-CL2-AH-SA-105748

▼ Features

- › Safety switch with integrated evaluation electronics
 - › Up to 20 switches in series
 - › Short circuit monitoring
 - › 2 safety outputs (semiconductor outputs)
 - › Door hinge left
 - › Category 4/PL e according to EN ISO 13849-1
 - › Connection cable PUR, 1 m, plug connector M12, 8-core
 - › Unicode
 - › Two safety screws M4x14 included
-



115793 CES-AR-CL2-CH-SA-115793

▼ Features

- › Safety switch with integrated evaluation electronics
 - › Up to 20 switches in series
 - › Short circuit monitoring
 - › 2 safety outputs (semiconductor outputs)
 - › Door hinge left
 - › Category 4/PL e according to EN ISO 13849-1
 - › Connection cable PUR, 0.15 m, plug connector M12, 8-core
 - › Multicode
 - › Two safety screws M4x14 included
-



115792 CES-AR-CR2-CH-SA-115792

▼ Features

- › Safety switch with integrated evaluation electronics
- › Up to 20 switches in series
- › Short circuit monitoring

- › 2 safety outputs (semiconductor outputs)
 - › Door hinge right
 - › Category 4/PL e according to EN ISO 13849-1
 - › Connection cable PUR, 0.15 m, plug connector M12, 8-core
 - › Multicode
 - › Two safety screws M4x14 included
-

▼ Non-contact safety switch CES-AR-CR2-..., with flying lead, PUR



109044 CES-AR-CR2-CH-L05-109044

▼ Features

- › Safety switch with integrated evaluation electronics
 - › Up to 20 switches in series
 - › Short circuit monitoring
 - › 2 safety outputs (semiconductor outputs)
 - › Door hinge right
 - › Category 4/PL e according to EN ISO 13849-1
 - › Connection cable PUR, 5 m, flying lead, 8-core
 - › Multicode
 - › Two safety screws M4x14 included
-



109050 CES-AR-CR2-AH-L10-109050

▼ Features

- › Safety switch with integrated evaluation electronics
 - › Up to 20 switches in series
 - › Short circuit monitoring
 - › 2 safety outputs (semiconductor outputs)
 - › Door hinge right
 - › Category 4/PL e according to EN ISO 13849-1
 - › Connection cable PUR, 10 m, flying lead, 8-core
 - › Unicode
 - › Two safety screws M4x14 included
-



109046 CES-AR-CR2-AH-L05-109046

▼ Features

- › Safety switch with integrated evaluation electronics
 - › Up to 20 switches in series
 - › Short circuit monitoring
 - › 2 safety outputs (semiconductor outputs)
 - › Door hinge right
 - › Category 4/PL e according to EN ISO 13849-1
 - › Connection cable PUR, 5 m, flying lead, 8-core
 - › Unicode
 - › Two safety screws M4x14 included
-



109048 CES-AR-CR2-CH-L10-109048

▼ Features

- › Safety switch with integrated evaluation electronics
- › Up to 20 switches in series
- › Short circuit monitoring
- › 2 safety outputs (semiconductor outputs)
- › Door hinge right
- › Category 4/PL e according to EN ISO 13849-1
- › Connection cable PUR, 10 m, flying lead, 8-core
- › Multicode

- › Two safety screws M4x14 included



109052 CES-AR-CR2-CH-L20-109052

✓ Features

- › Safety switch with integrated evaluation electronics
- › Up to 20 switches in series
- › Short circuit monitoring
- › 2 safety outputs (semiconductor outputs)
- › Door hinge right
- › Category 4/PL e according to EN ISO 13849-1
- › Connection cable PUR, 20 m, flying lead, 8-core
- › Multicode
- › Two safety screws M4x14 included



109054 CES-AR-CR2-AH-L20-109054

✓ Features

- › Safety switch with integrated evaluation electronics
- › Up to 20 switches in series
- › Short circuit monitoring
- › 2 safety outputs (semiconductor outputs)
- › Door hinge right
- › Category 4/PL e according to EN ISO 13849-1
- › Connection cable PUR, 20 m, flying lead, 8-core
- › Unicode
- › Two safety screws M4x14 included

✓ Non-contact safety switch CES-AR-CL2-..., with flying lead, PUR



109045 CES-AR-CL2-CH-L05-109045

✓ Features

- › Safety switch with integrated evaluation electronics
- › Up to 20 switches in series
- › Short circuit monitoring
- › 2 safety outputs (semiconductor outputs)
- › Door hinge left
- › Category 4/PL e according to EN ISO 13849-1
- › Connection cable PUR, 5 m, flying lead, 8-core
- › Multicode
- › Two safety screws M4x14 included



109047 CES-AR-CL2-AH-L05-109047

✓ Features

- › Safety switch with integrated evaluation electronics
- › Up to 20 switches in series
- › Short circuit monitoring
- › 2 safety outputs (semiconductor outputs)
- › Door hinge left
- › Category 4/PL e according to EN ISO 13849-1
- › Connection cable PUR, 5 m, flying lead, 8-core
- › Unicode
- › Two safety screws M4x14 included



109049 CES-AR-CL2-CH-L10-109049

✓ Features

- › Safety switch with integrated evaluation electronics
- › Up to 20 switches in series
- › Short circuit monitoring
- › 2 safety outputs (semiconductor outputs)
- › Door hinge left
- › Category 4/PL e according to EN ISO 13849-1
- › Connection cable PUR, 10 m, flying lead, 8-core
- › Multicode
- › Two safety screws M4x14 included



109051 CES-AR-CL2-AH-L10-109051

✓ Features

- › Safety switch with integrated evaluation electronics
- › Up to 20 switches in series
- › Short circuit monitoring
- › 2 safety outputs (semiconductor outputs)
- › Door hinge left
- › Category 4/PL e according to EN ISO 13849-1
- › Connection cable PUR, 10 m, flying lead, 8-core
- › Unicode
- › Two safety screws M4x14 included



109053 CES-AR-CL2-CH-L20-109053

✓ Features

- › Safety switch with integrated evaluation electronics
- › Up to 20 switches in series
- › Short circuit monitoring
- › 2 safety outputs (semiconductor outputs)
- › Door hinge left
- › Category 4/PL e according to EN ISO 13849-1
- › Connection cable PUR, 20 m, flying lead, 8-core
- › Multicode
- › Two safety screws M4x14 included



109055 CES-AR-CL2-AH-L20-109055

✓ Features

- › Safety switch with integrated evaluation electronics
- › Up to 20 switches in series
- › Short circuit monitoring
- › 2 safety outputs (semiconductor outputs)
- › Door hinge left
- › Category 4/PL e according to EN ISO 13849-1
- › Connection cable PUR, 20 m, flying lead, 8-core
- › Unicode
- › Two safety screws M4x14 included

✓ Non-contact safety switch CES-AR-CL2-... , plug connector M12, PVC



112928 CES-AR-CR2-CH-SA-112928

✓ Features

- › Safety switch with integrated evaluation electronics
- › Up to 20 switches in series
- › Short circuit monitoring
- › 2 safety outputs (semiconductor outputs)
- › Door hinge right

- › Category 4/PL e according to EN ISO 13849-1
 - › Connection cable PVC, 2 m, plug connector M12, 8-core
 - › Multicode
 - › Two safety screws M4x14 included
-

▼ Non-contact safety switch CES-AR-C01...



098941 CES-AR-C01-AH-SA

▼ Features

- › Safety switch with integrated evaluation electronics
 - › Up to 20 switches in series
 - › Short circuit monitoring
 - › 2 safety outputs (semiconductor outputs)
 - › Category 4/PL e according to EN ISO 13849-1
 - › Unicode
-



098942 CES-AR-C01-CH-SA

▼ Features

- › Safety switch with integrated evaluation electronics
 - › Up to 20 switches in series
 - › Short circuit monitoring
 - › 2 safety outputs (semiconductor outputs)
 - › Category 4/PL e according to EN ISO 13849-1
 - › Multicode
-



098582 CES-AR-C01-EH-SA

▼ Features

- › Safety switch with integrated evaluation electronics
 - › Up to 20 switches in series
 - › Short circuit monitoring
 - › 2 safety outputs (semiconductor outputs)
 - › Category 4/PL e according to EN ISO 13849-1
 - › Fixcode evaluation (incl. actuator CES-A-BPA)
-

▼ Non-contact safety switches CES-I-AR.-C04-..., M12



119479 CES-I-AR-M-C04-USA-119479

▼ Features

- › Safety switch with integrated evaluation electronics
 - › Up to 20 switches in series
 - › Short circuit monitoring
 - › 2 safety outputs (semiconductor outputs)
 - › Category 4/PL e according to EN ISO 13849-1
 - › Three active faces
 - › Connection cable PUR, 1 m, plug connector M12, 8-core
 - › Multicode
-



119473 CES-I-AR-U-C04-USA-119473

▼ Features

- › Safety switch with integrated evaluation electronics
- › Up to 20 switches in series
- › Short circuit monitoring
- › 2 safety outputs (semiconductor outputs)

- › Category 4/PL e according to EN ISO 13849-1
 - › Three active faces
 - › Connection cable PUR, 1 m, plug connector M12, 8-core
 - › Unicode
-

▼ Non-contact safety switches CES-I-AR-.-C04-..., M8



119474 CES-I-AR-M-C04-SG-119474

▼ Features

- › Safety switch with integrated evaluation electronics
 - › Up to 20 switches in series
 - › Short circuit monitoring
 - › 2 safety outputs (semiconductor outputs)
 - › Category 4/PL e according to EN ISO 13849-1
 - › Three active faces
 - › Plug connector M8, 8-pin
 - › Multicode
-



119469 CES-I-AR-U-C04-SG-119469

▼ Features

- › Safety switch with integrated evaluation electronics
 - › Up to 20 switches in series
 - › Short circuit monitoring
 - › 2 safety outputs (semiconductor outputs)
 - › Category 4/PL e according to EN ISO 13849-1
 - › Three active faces
 - › Plug connector M8, 8-pin
 - › Unicode
-

▼ Non-contact safety switches CES-I-AR-.-C04-..., flying lead



119475 CES-I-AR-M-C04-U05-119475

▼ Features

- › Safety switch with integrated evaluation electronics
 - › Up to 20 switches in series
 - › Short circuit monitoring
 - › 2 safety outputs (semiconductor outputs)
 - › Category 4/PL e according to EN ISO 13849-1
 - › Three active faces
 - › Connection cable PUR, 5 m, flying lead, 8-core
 - › Multicode
-



119476 CES-I-AR-M-C04-U10-119476

▼ Features

- › Safety switch with integrated evaluation electronics
 - › Up to 20 switches in series
 - › Short circuit monitoring
 - › 2 safety outputs (semiconductor outputs)
 - › Category 4/PL e according to EN ISO 13849-1
 - › Three active faces
 - › Connection cable PUR, 10 m, flying lead, 8-core
 - › Multicode
-



119477 CES-I-AR-M-C04-U20-119477

✓ Features

- › Safety switch with integrated evaluation electronics
- › Up to 20 switches in series
- › Short circuit monitoring
- › 2 safety outputs (semiconductor outputs)
- › Category 4/PL e according to EN ISO 13849-1
- › Three active faces
- › Connection cable PUR, 20 m, flying lead, 8-core
- › Multicode



119470 CES-I-AR-U-C04-U05-119470

✓ Features

- › Safety switch with integrated evaluation electronics
- › Up to 20 switches in series
- › Short circuit monitoring
- › 2 safety outputs (semiconductor outputs)
- › Category 4/PL e according to EN ISO 13849-1
- › Three active faces
- › Connection cable PUR, 5 m, flying lead, 8-core
- › Unicode



119471 CES-I-AR-U-C04-U10-119471

✓ Features

- › Safety switch with integrated evaluation electronics
- › Up to 20 switches in series
- › Short circuit monitoring
- › 2 safety outputs (semiconductor outputs)
- › Category 4/PL e according to EN ISO 13849-1
- › Three active faces
- › Connection cable PUR, 10 m, flying lead, 8-core
- › Unicode

✓ Non-contact safety switch CET-AR-..., RC18



110203 CET1-AR-CRA-AH-50X-SH-110203

✓ Features

- › Safety switch with guard locking and integrated evaluation electronics
- › Locking force up to 6500 N
- › Up to 20 switches in series
- › Short circuit monitoring
- › 2 safety outputs (semiconductor outputs)
- › Up to category 4/PL e according to EN ISO 13849-1
- › With plug connector M23 (RC18)
- › Unicode
- › Teach-in input
- › Approach direction A (default setting on delivery)



124104 CET1-AR-CRA-CH-50F-SH-C2312-124104

✓ Features

- › Safety switch with guard locking and integrated evaluation electronics
- › Locking force up to 6500 N
- › Up to 20 switches in series
- › Short circuit monitoring

- › 2 safety outputs (semiconductor outputs)
- › Up to category 4/PL e according to EN ISO 13849-1
- › With plug connector M23 (RC18)
- › Multicode
- › Escape release, 105 long
- › Approach direction A (default setting on delivery)



110204 CET1-AR-CRA-CH-50X-SH-110204

✓ Features

- › Safety switch with guard locking and integrated evaluation electronics
- › Locking force up to 6500 N
- › Up to 20 switches in series
- › Short circuit monitoring
- › 2 safety outputs (semiconductor outputs)
- › Up to category 4/PL e according to EN ISO 13849-1
- › With plug connector MR23 (RC18)
- › Multicode
- › Approach direction A (default setting on delivery)



110205 CET2-AR-CRA-AH-50X-SH-110205

✓ Features

- › Safety switch with guard locking and integrated evaluation electronics
- › Locking force up to 6500 N
- › Up to 20 switches in series
- › Short circuit monitoring
- › 2 safety outputs (semiconductor outputs)
- › Up to category 4/PL e according to EN ISO 13849-1
- › With plug connector M23 (RC18)
- › Unicode
- › Teach-in input
- › Approach direction A (default setting on delivery)



110206 CET2-AR-CRA-CH-50X-SH-110206

✓ Features

- › Safety switch with guard locking and integrated evaluation electronics
- › Locking force up to 6500 N
- › Up to 20 switches in series
- › Short circuit monitoring
- › 2 safety outputs (semiconductor outputs)
- › Up to category 4/PL e according to EN ISO 13849-1
- › With plug connector M23 (RC18)
- › Multicode
- › Approach direction A (default setting on delivery)



115202 CET3-AR-CRA-AH-50X-SH-C2375-115202

✓ Features

- › Safety switch with guard locking and integrated evaluation electronics
- › Locking force up to 6500 N
- › Up to 20 switches in series
- › Short circuit monitoring
- › 2 safety outputs (semiconductor outputs)
- › Up to category 4/PL e according to EN ISO 13849-1
- › With plug connector M23 (RC18)
- › Unicode
- › Door monitoring output

- › Approach direction A (default setting on delivery)



110103 CET3-AR-CRA-AH-50X-SH-110103

✓ Features

- › Safety switch with guard locking and integrated evaluation electronics
- › Locking force up to 6500 N
- › Up to 20 switches in series
- › Short circuit monitoring
- › 2 safety outputs (semiconductor outputs)
- › Up to category 4/PL e according to EN ISO 13849-1
- › With plug connector M23 (RC18)
- › Unicode
- › Door monitoring output
- › Teach-in input
- › Approach direction A (default setting on delivery)



110104 CET3-AR-CRA-CH-50X-SH-110104

✓ Features

- › Safety switch with guard locking and integrated evaluation electronics
- › Locking force up to 6500 N
- › Up to 20 switches in series
- › Short circuit monitoring
- › 2 safety outputs (semiconductor outputs)
- › Up to category 4/PL e according to EN ISO 13849-1
- › With plug connector M23 (RC18)
- › Multicode
- › Door monitoring output
- › Approach direction A (default setting on delivery)



110201 CET4-AR-CRA-AH-50X-SH-110201

✓ Features

- › Safety switch with guard locking and integrated evaluation electronics
- › Locking force up to 6500 N
- › Up to 20 switches in series
- › Short circuit monitoring
- › 2 safety outputs (semiconductor outputs)
- › Up to category 4/PL e according to EN ISO 13849-1
- › With plug connector M23 (RC18)
- › Unicode
- › Door monitoring output
- › Teach-in input
- › Approach direction A (default setting on delivery)



110202 CET4-AR-CRA-CH-50X-SH-110202

✓ Features

- › Safety switch with guard locking and integrated evaluation electronics
- › Locking force up to 6500 N
- › Up to 20 switches in series
- › Short circuit monitoring
- › 2 safety outputs (semiconductor outputs)
- › Up to category 4/PL e according to EN ISO 13849-1
- › With plug connector M23 (RC18)
- › Multicode
- › Door monitoring output
- › Approach direction A (default setting on delivery)

▼ Non-contact safety switch CET-AR-..., M12



105802 CET1-AR-CRA-AH-50S-SG-105802

▼ Features

- › Safety switch with guard locking and integrated evaluation electronics
- › Locking force up to 6500 N
- › Up to 20 switches in series
- › Short circuit monitoring
- › 2 safety outputs (semiconductor outputs)
- › Up to category 4/PL e according to EN ISO 13849-1
- › With 2 plug connectors M12
- › Unicode
- › Feedback loop
- › Approach direction A (default setting on delivery)



103418 CET1-AR-CRA-AH-50X-SG-103418

▼ Features

- › Safety switch with guard locking and integrated evaluation electronics
- › Locking force up to 6500 N
- › Up to 20 switches in series
- › Short circuit monitoring
- › 2 safety outputs (semiconductor outputs)
- › Up to category 4/PL e according to EN ISO 13849-1
- › With 2 plug connectors M12
- › Unicode
- › Teach-in input
- › Approach direction A (default setting on delivery)



105764 CET1-AR-CRA-CH-50S-SG-105764

▼ Features

- › Safety switch with guard locking and integrated evaluation electronics
- › Locking force up to 6500 N
- › Up to 20 switches in series
- › Short circuit monitoring
- › 2 safety outputs (semiconductor outputs)
- › Up to category 4/PL e according to EN ISO 13849-1
- › With 2 plug connectors M12
- › Multicode
- › Feedback loop
- › Approach direction A (default setting on delivery)



105763 CET1-AR-CRA-CH-50X-SG-105763

▼ Features

- › Safety switch with guard locking and integrated evaluation electronics
 - › Locking force up to 6500 N
 - › Up to 20 switches in series
 - › Short circuit monitoring
 - › 2 safety outputs (semiconductor outputs)
 - › Up to category 4/PL e according to EN ISO 13849-1
 - › With 2 plug connectors M12
 - › Multicode
 - › Approach direction A (default setting on delivery)
-



109075 CET2-AR-CRA-AH-50S-SG-109075

✓ Features

- › Safety switch with guard locking and integrated evaluation electronics
 - › Locking force up to 6500 N
 - › Up to 20 switches in series
 - › Short circuit monitoring
 - › 2 safety outputs (semiconductor outputs)
 - › Up to category 4/PL e according to EN ISO 13849-1
 - › With 2 plug connectors M12
 - › Unicode
 - › Feedback loop
 - › Approach direction A (default setting on delivery)
-



110240 CET2-AR-CRA-AH-50X-SG-110240

✓ Features

- › Safety switch with guard locking and integrated evaluation electronics
 - › Locking force up to 6500 N
 - › Up to 20 switches in series
 - › Short circuit monitoring
 - › 2 safety outputs (semiconductor outputs)
 - › Up to category 4/PL e according to EN ISO 13849-1
 - › With 2 plug connectors M12
 - › Unicode
 - › Teach-in input
 - › Approach direction A (default setting on delivery)
-



110082 CET2-AR-CRA-CH-50X-SG-110082

✓ Features

- › Safety switch with guard locking and integrated evaluation electronics
 - › Locking force up to 6500 N
 - › Up to 20 switches in series
 - › Short circuit monitoring
 - › 2 safety outputs (semiconductor outputs)
 - › Up to category 4/PL e according to EN ISO 13849-1
 - › With 2 plug connectors M12
 - › Multicode
 - › Approach direction A (default setting on delivery)
-



109401 CET3-AR-CRA-AH-50X-SG-109401

✓ Features

- › Safety switch with guard locking and integrated evaluation electronics
 - › Locking force up to 6500 N
 - › Up to 20 switches in series
 - › Short circuit monitoring
 - › 2 safety outputs (semiconductor outputs)
 - › Up to category 4/PL e according to EN ISO 13849-1
 - › With 2 plug connectors M12
 - › Unicode
 - › Door monitoring output
 - › Indication of the door position by LED
 - › Teach-in input
 - › Approach direction A (default setting on delivery)
-

112992 CET3-AR-CRA-CH-50S-SG-112992

✓ Features



- › Safety switch with guard locking and integrated evaluation electronics
- › Locking force up to 6500 N
- › Up to 20 switches in series
- › Short circuit monitoring
- › 2 safety outputs (semiconductor outputs)
- › Up to category 4/PL e according to EN ISO 13849-1
- › With 2 plug connectors M12
- › Multicode
- › Door monitoring output
- › Indication of the door position by LED
- › Feedback loop / start button
- › Approach direction A (default setting on delivery)



110906 CET3-AR-CRA-CH-50X-SG-110906

✓ Features

- › Safety switch with guard locking and integrated evaluation electronics
- › Locking force up to 6500 N
- › Up to 20 switches in series
- › Short circuit monitoring
- › 2 safety outputs (semiconductor outputs)
- › Up to category 4/PL e according to EN ISO 13849-1
- › With 2 plug connectors M12
- › Multicode
- › Door monitoring output
- › Indication of the door position by LED
- › Approach direction A (default setting on delivery)



111683 CET4-AR-CRA-AH-50X-SG-111683

✓ Features

- › Safety switch with guard locking and integrated evaluation electronics
- › Locking force up to 6500 N
- › Up to 20 switches in series
- › Short circuit monitoring
- › 2 safety outputs (semiconductor outputs)
- › Up to category 4/PL e according to EN ISO 13849-1
- › With 2 plug connectors M12
- › Unicode
- › Door monitoring output
- › Indication of the door position by LED
- › Teach-in input
- › Approach direction A (default setting on delivery)



120246 CET4-AR-CRA-AH-50X-SG-C2333-120246

✓ Features

- › Safety switch with guard locking and integrated evaluation electronics
- › Locking force up to 6500 N
- › Up to 20 switches in series
- › Short circuit monitoring
- › 2 safety outputs (semiconductor outputs)
- › Up to category 4/PL e according to EN ISO 13849-1
- › With 2 plug connectors M12
- › Unicode
- › Door monitoring output
- › Indication of the door position by LED
- › Teach-in input
- › Lockout bar

- › Approach direction A (default setting on delivery)



113081 CET4-AR-CRA-CH-50S-SG-113081

✓ Features

- › Safety switch with guard locking and integrated evaluation electronics
- › Locking force up to 6500 N
- › Up to 20 switches in series
- › Short circuit monitoring
- › 2 safety outputs (semiconductor outputs)
- › Up to category 4/PL e according to EN ISO 13849-1
- › With 2 plug connectors M12
- › Multicode
- › Door monitoring output
- › Indication of the door position by LED
- › Feedback loop / start button
- › Approach direction A (default setting on delivery)



111684 CET4-AR-CRA-CH-50X-SG-111684

✓ Features

- › Safety switch with guard locking and integrated evaluation electronics
- › Locking force up to 6500 N
- › Up to 20 switches in series
- › Short circuit monitoring
- › 2 safety outputs (semiconductor outputs)
- › Up to category 4/PL e according to EN ISO 13849-1
- › With 2 plug connectors M12
- › Multicode
- › Door monitoring output
- › Indication of the door position by LED
- › Approach direction A (default setting on delivery)



113609 CET4-AR-CRA-CH-50X-SG-C2355-113609

✓ Features

- › Safety switch with guard locking and integrated evaluation electronics
- › Locking force up to 6500 N
- › Up to 20 switches in series
- › Short circuit monitoring
- › 2 safety outputs (semiconductor outputs)
- › Up to category 4/PL e according to EN ISO 13849-1
- › With 2 plug connectors M12
- › Multicode
- › Door monitoring output
- › Indication of the door position by LED
- › Approach direction A (default setting on delivery)

✓ Non-contact safety switch CET-AR-..., M12, with Bowden wire



109015 CET1-AR-CRA-CH-50X-SG-C2290-109015

✓ Features

- › Safety switch with guard locking and integrated evaluation electronics
- › Locking force up to 6500 N
- › Up to 20 switches in series
- › Short circuit monitoring
- › 2 safety outputs (semiconductor outputs)
- › Up to category 4/PL e according to EN ISO 13849-1

- › With 2 plug connectors M12
- › Multicode
- › Wire front release (bowden), 3 m, automatic return
- › Approach direction A (default setting on delivery)



110114 CET3-AR-CRA-CH-50X-SG-C2290-110114

▣ Features

- › Safety switch with guard locking and integrated evaluation electronics
- › Locking force up to 6500 N
- › Up to 20 switches in series
- › Short circuit monitoring
- › 2 safety outputs (semiconductor outputs)
- › Up to category 4/PL e according to EN ISO 13849-1
- › With 2 plug connectors M12
- › Multicode
- › Door monitoring output
- › Indication of the door position by LED
- › Wire front release (bowden), 3m, automatic return
- › Approach direction A (default setting on delivery)

▣ Non-contact safety switch CET-AR-..., M12, with wire front release (bowden) (3m)



113139 CET3-AR-CRA-AH-50X-SG-C2290-113139

▣ Features

- › Safety switch with guard locking and integrated evaluation electronics
- › Locking force up to 6500 N
- › Up to 20 switches in series
- › Short circuit monitoring
- › 2 safety outputs (semiconductor outputs)
- › Up to category 4/PL e according to EN ISO 13849-1
- › With 2 plug connectors M12
- › Unicode
- › Door monitoring output
- › Indication of the door position by LED
- › Teach-in input
- › Wire front release (bowden), 3 m, automatic return
- › Approach direction A (default setting on delivery)

▣ Non-contact safety switch CET-AR-..., M12, with wire front release (bowden) (5m)



113320 CET1-AR-CRA-AH-50S-SG-C2290-113320

▣ Features

- › Safety switch with guard locking and integrated evaluation electronics
- › Locking force up to 6500 N
- › Up to 20 switches in series
- › Short circuit monitoring
- › 2 safety outputs (semiconductor outputs)
- › Up to category 4/PL e according to EN ISO 13849-1
- › With 2 plug connectors M12
- › Unicode
- › Feedback loop
- › Wire front release (bowden), 5 m, automatic return
- › Approach direction A (default setting on delivery)

▼ Non-contact safety switch CET-AR-..., M12, with Bowden wire and escape release



110905 CET3-AR-CRA-CH-50F-SG-C2290-110905

▼ Features

- › Safety switch with guard locking and integrated evaluation electronics
- › Locking force up to 6500 N
- › Up to 20 switches in series
- › Short circuit monitoring
- › 2 safety outputs (semiconductor outputs)
- › Up to category 4/PL e according to EN ISO 13849-1
- › With 2 plug connectors M12
- › Multicode
- › Door monitoring output
- › Indication of the door position by LED
- › Wire front release (bowden), 3 m, automatic return
- › With escape release, 75 mm long
- › Approach direction A (default setting on delivery)

▼ Non-contact safety switch CET-AR-..., M12, with double insertion slide



106275 CET1-AR-CDA-AH-50X-SG-106275

▼ Features

- › Safety switch with guard locking and integrated evaluation electronics
- › Locking force up to 6500 N
- › Up to 20 switches in series
- › Short circuit monitoring
- › 2 safety outputs (semiconductor outputs)
- › Up to category 4/PL e according to EN ISO 13849-1
- › With 2 plug connectors M12
- › Unicode
- › Teach-in input
- › With double ramp
- › Approach direction A and C (default setting on delivery)



109231 CET1-AR-CDA-CH-50X-SG-109231

▼ Features

- › Safety switch with guard locking and integrated evaluation electronics
- › Locking force up to 6500 N
- › Up to 20 switches in series
- › Short circuit monitoring
- › 2 safety outputs (semiconductor outputs)
- › Up to category 4/PL e according to EN ISO 13849-1
- › With 2 plug connectors M12
- › Multicode
- › With double ramp
- › Approach direction A and C (default setting on delivery)



114090 CET3-AR-CDA-CH-50X-SG-114090

▼ Features

- › Safety switch with guard locking and integrated evaluation electronics
- › Locking force up to 6500 N
- › Up to 20 switches in series
- › Short circuit monitoring
- › 2 safety outputs (semiconductor outputs)
- › Up to category 4/PL e according to EN ISO 13849-1
- › With 2 plug connectors M12

- › Multicode
- › Door monitoring output
- › Indication of the door position by LED
- › With double ramp
- › Approach direction A and C (default setting on delivery)



114712 CET4-AR-CDA-CH-50X-SG-114712

✓ Features

- › Safety switch with guard locking and integrated evaluation electronics
- › Locking force up to 6500 N
- › Up to 20 switches in series
- › Short circuit monitoring
- › 2 safety outputs (semiconductor outputs)
- › Up to category 4/PL e according to EN ISO 13849-1
- › With 2 plug connectors M12
- › Multicode
- › Door monitoring output
- › Indication of the door position by LED
- › With double ramp
- › Approach direction A and C (default setting on delivery)

✓ Non-contact safety switch CET-AR-..., M12, with escape release



106616 CET1-AR-CRA-AH-50A-SG-106616

✓ Features

- › Safety switch with guard locking and integrated evaluation electronics
- › Locking force up to 6500 N
- › Up to 20 switches in series
- › Short circuit monitoring
- › 2 safety outputs (semiconductor outputs)
- › Up to category 4/PL e according to EN ISO 13849-1
- › With 2 plug connectors M12
- › Unicode
- › Feedback loop
- › Escape release, 75 mm long
- › Approach direction A (default setting on delivery)



106159 CET1-AR-CRA-AH-50F-SG-106159

✓ Features

- › Safety switch with guard locking and integrated evaluation electronics
- › Locking force up to 6500 N
- › Up to 20 switches in series
- › Short circuit monitoring
- › 2 safety outputs (semiconductor outputs)
- › Up to category 4/PL e according to EN ISO 13849-1
- › With 2 plug connectors M12
- › Unicode
- › Teach-in input
- › Escape release, 75 mm long
- › Approach direction A (default setting on delivery)



110241 CET1-AR-CRA-CH-50F-SG-110241

✓ Features

- › Safety switch with guard locking and integrated evaluation electronics
- › Locking force up to 6500 N

- › Up to 20 switches in series
- › Short circuit monitoring
- › 2 safety outputs (semiconductor outputs)
- › Up to category 4/PL e according to EN ISO 13849-1
- › With 2 plug connectors M12
- › Multicode
- › Escape release, 75 mm long
- › Approach direction A (default setting on delivery)



109941 CET2-AR-CRA-CH-50F-SG-C2312-109941

✓ Features

- › Safety switch with guard locking and integrated evaluation electronics
- › Locking force up to 6500 N
- › Up to 20 switches in series
- › Short circuit monitoring
- › 2 safety outputs (semiconductor outputs)
- › Up to category 4/PL e according to EN ISO 13849-1
- › With 2 plug connectors M12
- › Multicode
- › Escape release, 105 mm long
- › Approach direction A (default setting on delivery)



113965 CET3-AR-CRA-AH-50F-SG-113965

✓ Features

- › Safety switch with guard locking and integrated evaluation electronics
- › Locking force up to 6500 N
- › Up to 20 switches in series
- › Short circuit monitoring
- › 2 safety outputs (semiconductor outputs)
- › Up to category 4/PL e according to EN ISO 13849-1
- › With 2 plug connectors M12
- › Unicode
- › Door monitoring output
- › Indication of the door position by LED
- › Teach-in input
- › Escape release, 75 mm long
- › Approach direction A (default setting on delivery)



110907 CET3-AR-CRA-CH-50F-SG-110907

✓ Features

- › Safety switch with guard locking and integrated evaluation electronics
- › Locking force up to 6500 N
- › Up to 20 switches in series
- › Short circuit monitoring
- › 2 safety outputs (semiconductor outputs)
- › Up to category 4/PL e according to EN ISO 13849-1
- › With 2 plug connectors M12
- › Multicode
- › Door monitoring output
- › Indication of the door position by LED
- › Escape release, 75 mm long
- › Approach direction A (default setting on delivery)

114650 CET4-AR-CRA-CH-50F-SG-114650

✓ Features



- › Safety switch with guard locking and integrated evaluation electronics
 - › Locking force up to 6500 N
 - › Up to 20 switches in series
 - › Short circuit monitoring
 - › 2 safety outputs (semiconductor outputs)
 - › Up to category 4/PL e according to EN ISO 13849-1
 - › With 2 plug connectors M12
 - › Multicode
 - › Door monitoring output
 - › Indication of the door position by LED
 - › Escape release, 75 mm long
 - › Approach direction A (default setting on delivery)
-

▼ Non-contact safety switch CET-AR-..., M12, with escape release and lockout mechanism



111766 CET1-AR-CRA-AH-50F-SG-C2333-111766

▼ Features

- › Safety switch with guard locking and integrated evaluation electronics
 - › Locking force up to 6500 N
 - › Up to 20 switches in series
 - › Short circuit monitoring
 - › 2 safety outputs (semiconductor outputs)
 - › Up to category 4/PL e according to EN ISO 13849-1
 - › With 2 plug connectors M12
 - › Unicode
 - › Teach-in input
 - › Escape release, 75 mm long
 - › Lockout bar
 - › Approach direction A (default setting on delivery)
-



113272 CET1-AR-CRA-CH-50F-SG-C2333-113272

▼ Features

- › Safety switch with guard locking and integrated evaluation electronics
 - › Locking force up to 6500 N
 - › Up to 20 switches in series
 - › Short circuit monitoring
 - › 2 safety outputs (semiconductor outputs)
 - › Up to category 4/PL e according to EN ISO 13849-1
 - › With 2 plug connectors M12
 - › Multicode
 - › Escape release, 75 mm long
 - › Lockout bar
 - › Multicode
 - › Approach direction A (default setting on delivery)
-



114508 CET3-AR-CRA-AH-50F-SG-C2333-114508

▼ Features

- › Safety switch with guard locking and integrated evaluation electronics
- › Locking force up to 6500 N
- › Up to 20 switches in series
- › Short circuit monitoring
- › 2 safety outputs (semiconductor outputs)
- › Up to category 4/PL e according to EN ISO 13849-1
- › With 2 plug connectors M12
- › Unicode
- › Door monitoring output

- › Indication of the door position by LED
- › Teach-in input
- › Escape release, 75 long
- › Lockout bar
- › Approach direction A (default setting on delivery)



112921 CET3-AR-CRA-CH-50F-SG-C2333-112921

▼ Features

- › Safety switch with guard locking and integrated evaluation electronics
- › Locking force up to 6500 N
- › Up to 20 switches in series
- › Short circuit monitoring
- › 2 safety outputs (semiconductor outputs)
- › Up to category 4/PL e according to EN ISO 13849-1
- › With 2 plug connectors M12
- › Multicode
- › Door monitoring output
- › Indication of the door position by LED
- › Escape release, 75 mm long
- › Lockout bar
- › Approach direction A (default setting on delivery)



113958 CET3-AR-CRA-CH-50F-SG-C2357-113958

▼ Features

- › Safety switch with guard locking and integrated evaluation electronics
- › Locking force up to 6500 N
- › Up to 20 switches in series
- › Short circuit monitoring
- › 2 safety outputs (semiconductor outputs)
- › Up to category 4/PL e according to EN ISO 13849-1
- › With 2 plug connectors M12
- › Multicode
- › Door monitoring output
- › Indication of the door position by LED
- › Escape release, 105 mm long
- › Lockout bar
- › Approach direction A (default setting on delivery)

▼ Non-contact safety switch CET-AR-..., M12, with lockout mechanism



112121 CET1-AR-CRA-AH-50X-SG-C2333-112121

▼ Features

- › Safety switch with guard locking and integrated evaluation electronics
- › Locking force up to 6500 N
- › Up to 20 switches in series
- › Short circuit monitoring
- › 2 safety outputs (semiconductor outputs)
- › Up to category 4/PL e according to EN ISO 13849-1
- › With 2 plug connectors M12
- › Unicode
- › Teach-in input
- › Lockout bar
- › Approach direction A (default setting on delivery)

114512 CET3-AR-CRA-AH-50X-SG-C2333-114512



▼ Features

- › Safety switch with guard locking and integrated evaluation electronics
- › Locking force up to 6500 N
- › Up to 20 switches in series
- › Short circuit monitoring
- › 2 safety outputs (semiconductor outputs)
- › Up to category 4/PL e according to EN ISO 13849-1
- › With 2 plug connectors M12
- › Unicode
- › Door monitoring output
- › Indication of the door position by LED
- › Teach-in input
- › Lockout bar
- › Approach direction A (default setting on delivery)



113767 CET4-AR-CRA-CH-50X-SG-C2333-113767

▼ Features

- › Safety switch with guard locking and integrated evaluation electronics
- › Locking force up to 6500 N
- › Up to 20 switches in series
- › Short circuit monitoring
- › 2 safety outputs (semiconductor outputs)
- › Up to category 4/PL e according to EN ISO 13849-1
- › With 2 plug connectors M12
- › Multicode
- › Door monitoring output
- › Indication of the door position by LED
- › Lockout bar
- › Approach direction A (default setting on delivery)

▼ Non-contact safety switch CET-AR-..., RC18, with escape release



110943 CET1-AR-CRA-AH-50F-SH-C2312-110943

▼ Features

- › Safety switch with guard locking and integrated evaluation electronics
- › Locking force up to 6500 N
- › Up to 20 switches in series
- › Short circuit monitoring
- › 2 safety outputs (semiconductor outputs)
- › Up to category 4/PL e according to EN ISO 13849-1
- › With plug connector M23 (RC18)
- › Unicode
- › Teach-in input
- › Escape release, 105 mm long
- › Approach direction A (default setting on delivery)



113148 CET3-AR-CRA-AH-50F-SH-113148

▼ Features

- › Safety switch with guard locking and integrated evaluation electronics
- › Locking force up to 6500 N
- › Up to 20 switches in series
- › Short circuit monitoring
- › 2 safety outputs (semiconductor outputs)
- › Up to category 4/PL e according to EN ISO 13849-1
- › With plug connector M23 (RC18)
- › Unicode

- › Door monitoring output
- › Teach-in input
- › Escape release, 75 mm long
- › Approach direction A (default setting on delivery)



111725 CET3-AR-CRA-AH-50F-SH-C2312-111725

✓ Features

- › Safety switch with guard locking and integrated evaluation electronics
- › Locking force up to 6500 N
- › Up to 20 switches in series
- › Short circuit monitoring
- › 2 safety outputs (semiconductor outputs)
- › Up to category 4/PL e according to EN ISO 13849-1
- › With plug connector M23 (RC18)
- › Unicode
- › Door monitoring output
- › Teach-in input
- › Escape release, 105 mm long
- › Approach direction A (default setting on delivery)



116285 CET4-AR-CRA-AH-50F-SH-116285

✓ Features

- › Safety switch with guard locking and integrated evaluation electronics
- › Locking force up to 6500 N
- › Up to 20 switches in series
- › Short circuit monitoring
- › 2 safety outputs (semiconductor outputs)
- › Up to category 4/PL e according to EN ISO 13849-1
- › With plug connector M23 (RC18)
- › Unicode
- › Door monitoring output
- › Teach-in input
- › Escape release, 75 mm long
- › Approach direction A (default setting on delivery)

✓ Non-contact safety switch CET-AR-..., RC18, with lockout bar



113151 CET3-AR-CRA-AH-50X-SH-C2333-113151

✓ Features

- › Safety switch with guard locking and integrated evaluation electronics
- › Locking force up to 6500 N
- › Up to 20 switches in series
- › Short circuit monitoring
- › 2 safety outputs (semiconductor outputs)
- › Up to category 4/PL e according to EN ISO 13849-1
- › Plug connector M23 (RC18)
- › Unicode
- › Door monitoring output
- › Teach-in input
- › Lockout bar
- › Approach direction A (default setting on delivery)

✓ Non-contact safety switch CET-AR-..., RC18, double ramp and escape release

114647 CET3-AR-CDA-AH-50F-SH-114647



▼ Features

- › Safety switch with guard locking and integrated evaluation electronics
 - › Locking force up to 6500 N
 - › Up to 20 switches in series
 - › Short circuit monitoring
 - › 2 safety outputs (semiconductor outputs)
 - › Up to category 4/PL e according to EN ISO 13849-1
 - › With plug connector M23 (RC18)
 - › Unicode
 - › Door monitoring output
 - › Teach-in input
 - › Escape release, 75 mm long
 - › With double ramp
 - › Approach direction A and C (default setting on delivery)
-

▼ Non-contact safety switch CET-AR-..., RC18, with Bowden wire



113022 CET1-AR-CRA-AH-50X-SH-C2290-113022

▼ Features

- › Safety switch with guard locking and integrated evaluation electronics
 - › Locking force up to 6500 N
 - › Up to 20 switches in series
 - › Short circuit monitoring
 - › 2 safety outputs (semiconductor outputs)
 - › Up to category 4/PL e according to EN ISO 13849-1
 - › Plug connector M23 (RC18)
 - › Unicode
 - › Teach-in input
 - › Wire front release (bowden), 3 m, automatic return
 - › Approach direction A (default setting on delivery)
-



113024 CET3-AR-CRA-AH-50X-SH-C2290-113024

▼ Features

- › Safety switch with guard locking and integrated evaluation electronics
 - › Locking force up to 6500 N
 - › Up to 20 switches in series
 - › Short circuit monitoring
 - › 2 safety outputs (semiconductor outputs)
 - › Up to category 4/PL e according to EN ISO 13849-1
 - › Plug connector M23 (RC18)
 - › Unicode
 - › Door monitoring output
 - › Teach-in input
 - › Wire front release (bowden), 3 m, automatic return
 - › Approach direction A (default setting on delivery)
-

▼ Non-contact safety switch CET-AR-..., RC18, with wire front release (bowden) (5m)



114088 CET3-AR-CRA-AH-50X-SH-C2290-114088

▼ Features

- › Safety switch with guard locking and integrated evaluation electronics
- › Locking force up to 6500 N
- › Up to 20 switches in series
- › Short circuit monitoring
- › 2 safety outputs (semiconductor outputs)

- › Up to category 4/PL e according to EN ISO 13849-1
 - › Plug connector M23 (RC18)
 - › Unicode
 - › Door monitoring output
 - › Teach-in input
 - › Wire front release (bowden), 5 m, automatic return
 - › Approach direction A (default setting on delivery)
-

▼ Non-contact safety switch CET-AR-..., RC18, with Bowden wire and escape release



113021 CET1-AR-CRA-AH-50F-SH-C2353-113021

▼ Features

- › Safety switch with guard locking and integrated evaluation electronics
 - › Locking force up to 6500 N
 - › Up to 20 switches in series
 - › Short circuit monitoring
 - › 2 safety outputs (semiconductor outputs)
 - › Up to category 4/PL e according to EN ISO 13849-1
 - › Plug connector M23 (RC18)
 - › Unicode
 - › Teach-in input
 - › Escape release, 105 mm long
 - › Wire front release (bowden), 3 m, automatic return
 - › Approach direction A (default setting on delivery)
-



113023 CET3-AR-CRA-AH-50F-SH-C2353-113023

▼ Features

- › Safety switch with guard locking and integrated evaluation electronics
 - › Locking force up to 6500 N
 - › Up to 20 switches in series
 - › Short circuit monitoring
 - › 2 safety outputs (semiconductor outputs)
 - › Up to category 4/PL e according to EN ISO 13849-1
 - › Plug connector M23 (RC18)
 - › Unicode
 - › Door monitoring output
 - › Teach-in input
 - › With wire front release (bowden), 3 m, automatic return
 - › With escape release, 105 mm long
 - › Approach direction A (default setting on delivery)
-

▼ Non-contact safety switch CET-AR-..., RC18, with escape release and lockout mechanism



114505 CET3-AR-CRA-AH-50F-SH-C2333-114505

▼ Features

- › Safety switch with guard locking and integrated evaluation electronics
- › Locking force up to 6500 N
- › Up to 20 switches in series
- › Short circuit monitoring
- › 2 safety outputs (semiconductor outputs)
- › Up to category 4/PL e according to EN ISO 13849-1
- › Plug connector M23 (RC18)
- › Unicode
- › Door monitoring output
- › Teach-in input
- › Escape release, 75 mm long

- › Lockout bar
- › Approach direction A (default setting on delivery)

▼ Non-contact safety switch CET-AR-..., RC18, and double ramp



113255 CET1-AR-CDA-CH-50X-SH-113255

▼ Features

- › Safety switch with guard locking and integrated evaluation electronics
- › Locking force up to 6500 N
- › Up to 20 switches in series
- › Short circuit monitoring
- › 2 safety outputs (semiconductor outputs)
- › Up to category 4/PL e according to EN ISO 13849-1
- › With plug connector M23 (RC18)
- › Multicode
- › With double ramp
- › Approach direction A and C (default setting on delivery)



112446 CET2-AR-CDA-AH-50X-SH-112446

▼ Features

- › Safety switch with guard locking and integrated evaluation electronics
- › Locking force up to 6500 N
- › Up to 20 switches in series
- › Short circuit monitoring
- › 2 safety outputs (semiconductor outputs)
- › Up to category 4/PL e according to EN ISO 13849-1
- › With plug connector M23 (RC18)
- › Unicode
- › Teach-in input
- › With double ramp
- › Approach direction A and C (default setting on delivery)

▼ Safety system ESL-IH-AR... , plug connector M12



114943 ESL-IH-AR-M-R30-SA-114943

▼ Features

- › Door handle with integrated safety function
- › Protection of safety doors and flaps up to Cat. 4/PL e
- › Modern, symmetrical design ideal for profile assembly
- › With plug connector M12, 8-pin
- › Multicode
- › With lock



120646 ESL-IH-AR-M-R30-SA-120646

▼ Features

- › Door handle with integrated safety function
- › Protection of safety doors and flaps up to Cat. 4/PL e
- › Modern, symmetrical design ideal for profile assembly
- › With plug connector M12, 8-pin
- › Multicode
- › Without lock

115320 ESL-IH-AR-U-R30-SA-115320



✓ Features

- › Door handle with integrated safety function
- › Protection of safety doors and flaps up to Cat. 4/PLe
- › Modern, symmetrical design ideal for profile assembly
- › With plug connector M12, 8-pin
- › Unicode
- › With lock



120824 ESL-IH-AR-U-R30-SA-120824

✓ Features

- › Door handle with integrated safety function
- › Protection of safety doors and flaps up to Cat. 4/PLe
- › Modern, symmetrical design ideal for profile assembly
- › With plug connector M12, 8-pin
- › Unicode
- › Without lock

✓ Transponder-coded safety switch CTP-AR, 2 x M12



123307 CTP-L1-AR-M-HA-AZ-SAB-123307

✓ Features

- › Safety switch with guard locking and integrated evaluation electronics
- › Up to 20 switches in series
- › Short circuit monitoring
- › 2 safety outputs (semiconductor outputs)
- › Up to category 4/PL e according to EN ISO 13849-1
- › With 2 plug connectors M12
- › Multicode
- › Door monitoring output
- › Approach direction A, B and C (default setting on delivery)



122812 CTP-L1-AR-U-HA-AZ-SAB-122812

✓ Features

- › Safety switch with guard locking and integrated evaluation electronics
- › Up to 20 switches in series
- › Short circuit monitoring
- › 2 safety outputs (semiconductor outputs)
- › Up to category 4/PL e according to EN ISO 13849-1
- › With 2 plug connectors M12
- › Unicode
- › Door monitoring output
- › Approach direction A, B and C (default setting on delivery)



123361 CTP-L2-AR-M-HA-AZ-SAB-123361

✓ Features

- › Safety switch with guard locking and integrated evaluation electronics
- › Up to 20 switches in series
- › Short circuit monitoring
- › 2 safety outputs (semiconductor outputs)
- › Up to category 4/PL e according to EN ISO 13849-1
- › With 2 plug connectors M12
- › Multicode
- › Door monitoring output
- › Approach direction A, B and C (default setting on delivery)



122814 CTP-L2-AR-U-HA-AZ-SAB-122814

✓ Features

- › Safety switch with guard locking and integrated evaluation electronics
- › Up to 20 switches in series
- › Short circuit monitoring
- › 2 safety outputs (semiconductor outputs)
- › Up to category 4/PL e according to EN ISO 13849-1
- › With 2 plug connectors M12
- › Unicode
- › Door monitoring output
- › Approach direction A, B and C (default setting on delivery)

✓ Transponder-coded safety switch CTP-AR, 2 x M12, with escape release



123308 CTP-L1-AR-M-HA-AE-SAB-123308

✓ Features

- › Safety switch with guard locking and integrated evaluation electronics
- › Up to 20 switches in series
- › Short circuit monitoring
- › 2 safety outputs (semiconductor outputs)
- › Up to category 4/PL e according to EN ISO 13849-1
- › With 2 plug connectors M12
- › Multicode
- › Door monitoring output
- › With escape release
- › Approach direction A, B and C (default setting on delivery)



122813 CTP-L1-AR-U-HA-AE-SAB-122813

✓ Features

- › Safety switch with guard locking and integrated evaluation electronics
- › Up to 20 switches in series
- › Short circuit monitoring
- › 2 safety outputs (semiconductor outputs)
- › Up to category 4/PL e according to EN ISO 13849-1
- › With 2 plug connectors M12
- › Unicode
- › Door monitoring output
- › With escape release
- › Approach direction A, B and C (default setting on delivery)

✓ Transponder-coded safety switch CTP-AR, M23



123363 CTP-L1-AR-M-HA-AZ-SH-123363

✓ Features

- › Safety switch with guard locking and integrated evaluation electronics
- › Up to 20 switches in series
- › Short circuit monitoring
- › 2 safety outputs (semiconductor outputs)
- › Up to category 4/PL e according to EN ISO 13849-1
- › With plug connectors M23
- › Multicode
- › Door monitoring output
- › Approach direction A, B and C (default setting on delivery)



123362 CTP-L1-AR-U-HA-AZ-SH-123362

✓ Features

- › Safety switch with guard locking and integrated evaluation electronics
 - › Up to 20 switches in series
 - › Short circuit monitoring
 - › 2 safety outputs (semiconductor outputs)
 - › Up to category 4/PL e according to EN ISO 13849-1
 - › With plug connector M23
 - › Unicode
 - › Door monitoring output
 - › Approach direction A, B and C (default setting on delivery)
-



123369 CTP-L2-AR-M-HA-AZ-SH-123369

✓ Features

- › Safety switch with guard locking and integrated evaluation electronics
 - › Up to 20 switches in series
 - › Short circuit monitoring
 - › 2 safety outputs (semiconductor outputs)
 - › Up to category 4/PL e according to EN ISO 13849-1
 - › With plug connector M23
 - › Multicode
 - › Door monitoring output
 - › Approach direction A, B and C (default setting on delivery)
-



123366 CTP-L2-AR-U-HA-AZ-SH-123366

✓ Features

- › Safety switch with guard locking and integrated evaluation electronics
 - › Up to 20 switches in series
 - › Short circuit monitoring
 - › 2 safety outputs (semiconductor outputs)
 - › Up to category 4/PL e according to EN ISO 13849-1
 - › With plug connector M23
 - › Unicode
 - › Door monitoring output
 - › Approach direction A, B and C (default setting on delivery)
-

✓ Transponder-coded safety switch CTP-AR, M23, with escape release



123374 CTP-L1-AR-M-HA-AE-SH-123374

✓ Features

- › Safety switch with guard locking and integrated evaluation electronics
 - › Up to 20 switches in series
 - › Short circuit monitoring
 - › 2 safety outputs (semiconductor outputs)
 - › Up to category 4/PL e according to EN ISO 13849-1
 - › With plug connector M23
 - › Multicode
 - › Door monitoring output
 - › With escape release
 - › Approach direction A, B and C (default setting on delivery)
-



123373 CTP-L1-AR-U-HA-AE-SH-123373

✓ Features

- › Safety switch with guard locking and integrated evaluation electronics

- › Up to 20 switches in series
- › Short circuit monitoring
- › 2 safety outputs (semiconductor outputs)
- › Up to category 4/PL e according to EN ISO 13849-1
- › With plug connector M23
- › Unicode
- › Door monitoring output
- › With escape release
- › Approach direction A, B and C (default setting on delivery)

Connection material

- ▼ Connection kit for evaluation units CES-AZ-.ES-04B and CES-AR-AES-12, screw terminals

104776 CES-EA-TC-AK08-104776

- ▼ Features

- › Plug-in screw terminals for evaluation units CES-AZ-.ES-04B and CES-AR-AES-12
- › Coded

- ▼ Connection kit for evaluation units CES-AZ-.ES-04B and CES-AR-AES-12, spring terminals

112629 CES-EA-TC-KK08-112629

- ▼ Features

- › Plug-in spring terminals for evaluation units CES-AZ-.ES-04B and CES-AR-AES-12
- › Coded

Instructions

- ▼ Betriebsanleitung AR-Auswertegerät CES-AR-AES-12

	Doc. no.	Version	Language	Download
Betriebsanleitung AR-Auswertegerät CES-AR-AES-12	098221	05-02/16		 1.1 MB
Mode d'emploi analyseur AR CES-AR-AES-12	098221	05-02/16		 1.1 MB
Manual de instrucciones de la unidad de evaluación AR CES-AR-AES-12	098221	05-02/16		 1.1 MB
Operating Instructions AR Evaluation Unit CES-AR-AES-12	098221	05-02/16		 1.1 MB
Istruzioni di impiego Centralina AR CES-AR-AES-12	098221	05-02/16		 1.1 MB









- ▼ Sicherheitsinformation und Wartung AR-Auswertegerät

Doc. no.	Version	Language	Download
----------	---------	----------	----------

Sicherheitsinformation und Wartung AR-Auswertegerät	109633	03-10/15	    	 0.3 MB
Información de seguridad y mantenimiento evaluación AR				
Information de sécurité et entretien analyseur AR				
Informazioni sulla sicurezza e manutenzione centralina AR				
Safety information and Maintenance AR Evaluation Unit				

Catalogs

- Transpondercodierte Sicherheitsschalter - Verriegelungseinrichtungen und Zuhaltungen
 Transponder-coded safety switches - Interlocking devices and guard locking devices
 Interruptores de seguridad con codificación por transponder - Dispositivos de enclavamiento y bloqueos
 Interrupteurs de sécurité à codage par transpondeur - Dispositifs de verrouillage et interverrouillages

	Doc. no.	Version	Language	Download
Transpondercodierte Sicherheitsschalter - Verriegelungseinrichtungen und Zuhaltungen	127594	02-01/18		 5.2 MB
Interrupteurs de sécurité à codage par transpondeur - Dispositifs de verrouillage et interverrouillages	137558	02-01/18		 5.2 MB
Interruptores de seguridad con codificación por transponder - Dispositivos de enclavamiento y bloqueos	137560	02-01/18		 5.2 MB
Transponder-coded safety switches - Interlocking devices and guard locking devices	127595	02-01/18		 5.1 MB

Declaration of conformity

- EU prohlášení o shodě

	Doc. no.	Version	Language	Download
EU-Konformitätserklärung Declaración UE de conformidad Déclaration UE de conformité Dichiarazione di conformità EU declaration of conformity	2109923	13-01/17	    	 0.4 MB
EU prohlášení o shodě EU-overensstemmelseserklæring Δήλωση συμμόρφωσης της ΕΕ EU-vaatimustenmukaisuusvakuutus EU-típusbizonyítvány EU-conformiteitsverklaring Deklaracja zgodności UE Declarația de conformitate UE EÚ vyhlásenie o zhode	2109923	13-01/17	        	 0.6 MB

CAD data

CAD data for this item on TraceParts