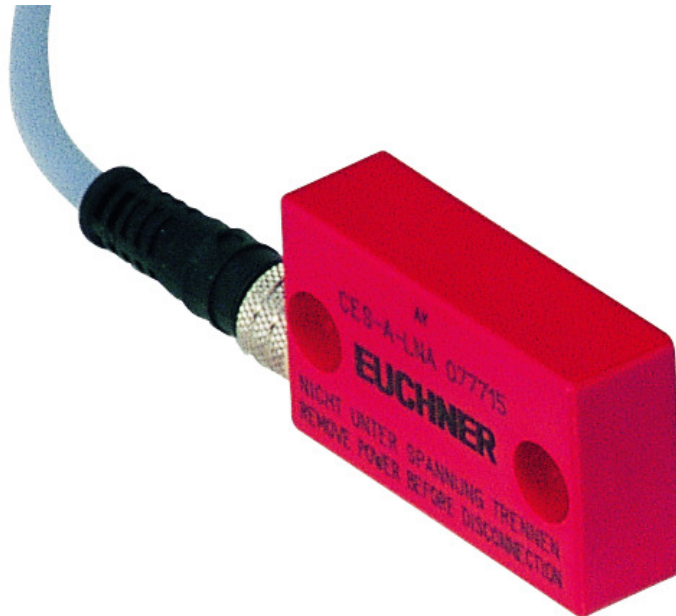


## ITEM 077715 CES-A-LNA-SC

Description	Technical data	Accessories	Downloads
-------------	----------------	-------------	-----------



### Features

- › Cube-shaped design 42 x 25 mm
- › With plug connector M8
- › Two safety screws M4x14 included

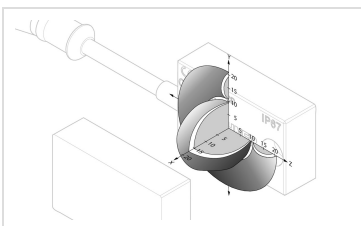
### Housing material

Fortron, reinforced thermoplastic, fully encapsulated.

**Attention:**The operating distance may vary depending on the background material and installation situation.

**Important:**Actuators must be ordered separately!

The read heads CES are suitable for connection directly to the evaluation units CES-A-F1B... or CES-A-V1B....



#### › Typical operating distance

For a side approach direction for the actuator and read head, a minimum distance of  $s = 3$  mm must be maintained so that the operating distance of the side lobes is not entered.

## Approvals



## Mechanical values and environment

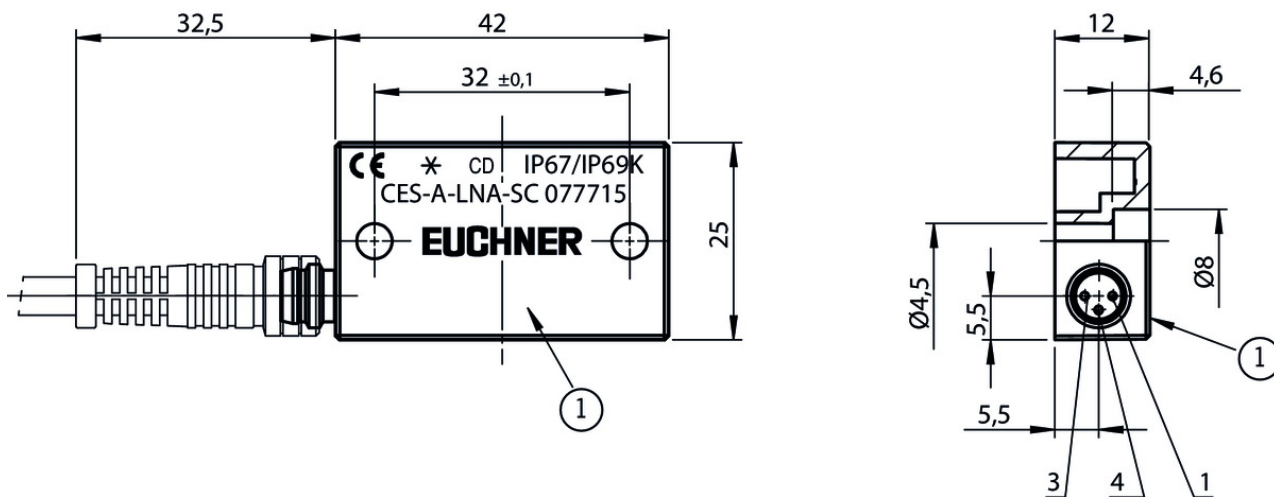
Housing material	Reinforced thermoplastic (PPS), fully encapsulated
Weight	Net 0,025 kg <sup>[1]</sup>
Ambient temperature	-25 ... 70 °C
Degree of protection	IP67 / IP69K
Installation position	Any
Tightening torque	Fixing screws max.1 Nm
Connection	M8 plug connector, 3-pin
Cable length	Maximum allowed max.25 m
Method of operation	Inductive

## Electrical connection ratings

Power supply	Via evaluation unit
--------------	---------------------

[1] (Without connection cable)

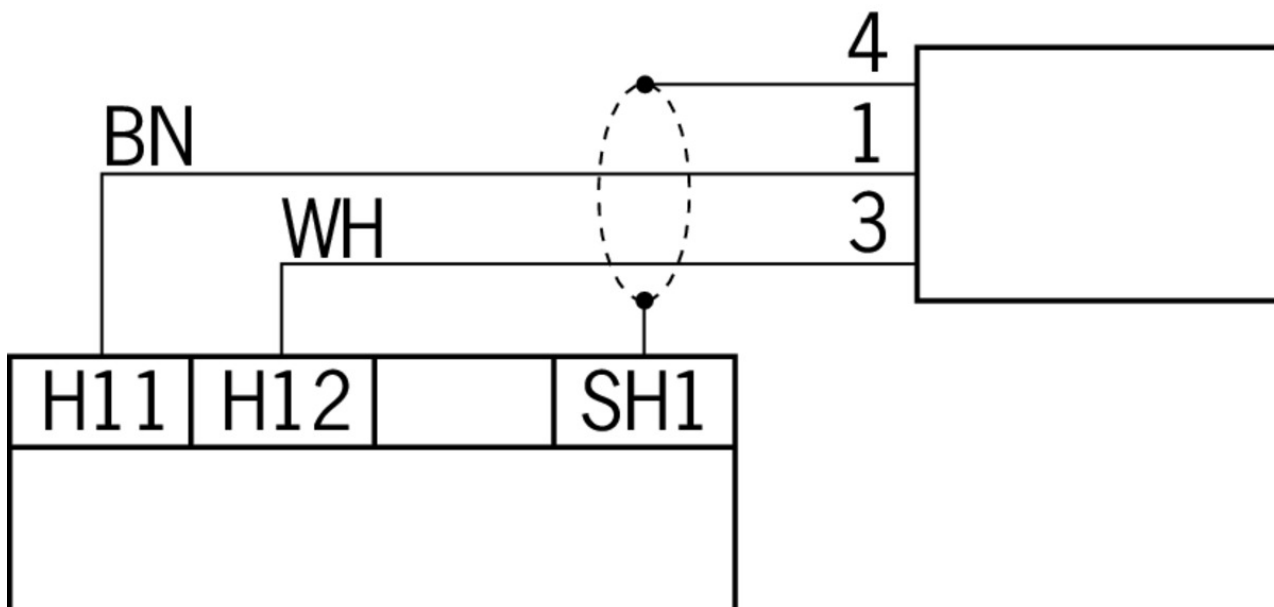
**Dimension drawing**



**Legende**

- 1 Active face
- PIN1 Data line
- PIN3 Data line
- PIN4 SH (screen)

**Terminal assignment**



**Connection material**

- ✓ Connection cable with plug connector M8, 3-pin, 3m



**077935** C-M08F03-02X025PV03,0-ES-077935

▼ Features

- › M8 female plug, 3-pin
  - › Straight plug connector
  - › PVC cable
  - › Cable length 3 m
  - › With flying lead
- 

▼ Connection cable with plug connector M8, 5m



**077793** C-M08F03-02X025PV05,0-ES-077793

▼ Features

- › M8 female plug, 3-pin
  - › Straight plug connector
  - › PVC cable
  - › Cable length 5 m
  - › With flying lead
- 

▼ Connection cable with plug connector M8, 3-pin, 10m



**077767** C-M08F03-02X025PV10,0-ES-077767

▼ Features

- › M8 female plug, 3-pin
  - › Straight plug connector
  - › PVC cable
  - › Cable length 10 m
  - › With flying lead
- 



**084763** C-M08F03-02X025PU10,0-ES-084763

▼ Features

- › M8 female plug, 3-pin
  - › Straight plug connector
  - › PUR cable
  - › Cable length 10 m
  - › With flying lead
- 

▼ Connection cable with plug connector M8, 3-pin, 20m



**077716** C-M08F03-02X025PV20,0-ES-077716

▼ Features

- › M8 female plug, 3-pin
  - › Straight plug connector
  - › PVC cable
  - › Cable length 20 m
  - › With flying lead
- 



**084765** C-M08F03-02X025PU20,0-ES-084765

▼ Features

- › M8 female plug, 3-pin
- › Straight plug connector
- › PUR cable
- › Cable length 20 m
- › With flying lead

---

▼ Connection cable with plug connector M8, 3-pin, 25m



**077717** C-M08F03-02X025PV25,0-ES-077717

▼ Features

- › M8 female plug, 3-pin
- › Straight plug connector
- › PVC cable
- › Cable length 25 m
- › With flying lead



**084766** C-M08F03-02X025PU25,0-ES-084766

▼ Features

- › M8 female plug, 3-pin
- › Straight plug connector
- › PUR cable
- › Cable length 25 m
- › With flying lead

---

▼ Connection cable with plug connector M8, 3-pin, 5m



**084762** C-M08F03-02X025PU05,0-ES-084762

▼ Features

- › M8 female plug, 3-pin
- › Straight plug connector
- › PUR cable
- › Cable length 5 m
- › With flying lead

---

▼ Connection cable with plug connector M8, 3-pin, 15m



**084764** C-M08F03-02X025PU15,0-ES-084764

▼ Features

- › M8 female plug, 3-pin
- › Straight plug connector
- › PUR cable
- › Cable length 15 m
- › With flying lead

---

▼ Connection cable with angled plug connector M8, 3-pin, 10m



**084701** C-M08F03-02X025PV10,0-ES-084701

▼ Features

- › M8 female plug, 3-pin
- › Angled plug connector
- › PVC cable
- › Cable length 10 m
- › With flying lead



**098590** C-M08F03-02X025PU10,0-ES-098590

▼ Features

- › M8 female plug, 3-pin

- › Angled plug connector
  - › PUR cable
  - › Cable length 10 m
  - › With flying lead
- 

☑ Connection cable with angled plug connector M8, 3-pin, 25m, angled



**099998** C-M08F03-02X025PV25,0-ES-099998

☑ Features

- › M8 female plug, 3-pin
  - › Angled plug connector
  - › PVC cable
  - › Cable length 25 m
  - › With flying lead
- 

## Actuator

---

☑ Actuator CES-A-BDA



**084720** CES-A-BDA-20

☑ Features

- › Round design ø 20 mm
- 



**156935** CES-A-BDA-18-156935

☑ Features

- › For safety switches CES-C01 and read heads CES-A-LNA
  - › Round design ø 18 mm
  - › For use in applications in very confined spaces
  - › Mounting on metal is permissible
  - › Flush mounting is permissible only in plastic
- 

☑ Actuator CES-A-BCA



**088786** CES-A-BCA

☑ Features

- › Cube-shaped design 42 x 25 mm
  - › Two safety screws M4x14 included
- 

☑ Actuator CES-A-BBA



**071840** CES-A-BBA

☑ Features

- › Cube-shaped design 42 x 25 mm
  - › Two safety screws M4x14 included
- 

## Mounting accessories

---

☑ Safety screws M4 x 14

## 071863 M4X14-CES/V20

### Features

- › Safety screws M4 x 14
- › Packaging unit 20 pieces

## Bolt

### Bolt CES-A-A



## 076487 RIEGEL CES-A-A

### Features

- › Steel bolt
- › In combination with read head CES-A-LNA...
- › For left or right hinged doors
- › Ball detent mechanism in closed position
- › Can be locked in open position with padlocks
- › Actuator included

### Bolt CES-A-A/F with escape release



## 086173 RIEGEL CES-A-A/F

### Features

- › Steel bolt
- › In combination with read head CES-A-LNA...
- › For doors hinged on the right or left
- › Lever for escape release from the danger area
- › Detent knob in open position
- › Ball detent mechanism in closed position
- › Can be locked in open position with padlocks
- › Actuator included

## Instructions

### Návod k použití Bezkontaktní bezpečnostní systém CES-AZ-AES-... (Unicode)

	Doc. no.	Version	Language	Download
Betriebsanleitung Berührungsloses Sicherheitssystem CES-AZ-AES-... (Unicode)	2104766	10-09/17		1.8 MB
Mode d'emploi Système de sécurité sans contact CES-AZ-AES-... (Unicode)	2104766	10-09/17		1.8 MB
Manual de instrucciones Sistema de seguridad sin contacto CES-AZ-AES-... (Unicode)	2104766	10-09/17		1.8 MB
Návod k použití Bezkontaktní bezpečnostní systém CES-AZ-AES-... (Unicode)	2104766	10-09/17		1.9 MB
Operating instructions Non-contact safety system CES-AZ-AES-... (Unicode)	2104766	10-09/17		1.8 MB

Istruzioni di impiego Sistema di sicurezza senza contatto CES-AZ-AES-... (Unicode)	2104766	10-09/17		1.8 MB
使用说明书非接触式安全系统 CES-AZ-AES-... (特殊编码)	2104766	10-09/17		2.0 MB

**▼ Návod k použití Bezkontaktní bezpečnostní systém CES-AZ-UES-... (Multicode)**

	Doc. no.	Version	Language	Download
Betriebsanleitung Berührungsloses Sicherheitssystem CES-AZ-UES-... (Multicode)	2105274	09-09/17		1.8 MB
Mode d'emploi Système de sécurité sans contact CES-AZ-UES-... (Multicode)	2105274	09-09/17		1.8 MB
Manual de instrucciones Sistema de seguridad sin contacto CES-AZ-UES-... (Multicode)	2105274	09-09/17		1.8 MB
Návod k použití Bezkontaktní bezpečnostní systém CES-AZ-UES-... (Multicode)	2105274	09-09/17		1.9 MB
Operating instructions Non-contact safety system CES-AZ-UES-... (Multicode)	2105274	09-09/17		1.8 MB
Istruzioni di impiego Sistema di sicurezza senza contatto CES-AZ-UES-... (Multicode)	2105274	09-09/17		1.8 MB
使用说明书非接触式安全系统 CES-AZ-UES-... (通用编码)	2105274	09-09/17		2.0 MB

## Catalogs

**▼ Transpondercodierte Sicherheitssysteme mit externer Auswertung Transponder-coded safety systems with external evaluation Sistemas de seguridad con codificación por transponder y evaluación externa Systèmes de sécurité à codage par transpondeur avec analyse externe**

	Doc. no.	Version	Language	Download
Transpondercodierte Sicherheitssysteme mit externer Auswertung	127596	02-01/18		3.1 MB
Systèmes de sécurité à codage par transpondeur avec analyse externe	137968	02-01/18		3.0 MB
Sistemas de seguridad con codificación por transponder y evaluación externa	139969	02-01/18		3.0 MB
Transponder-coded safety systems with external evaluation	127597	02-01/18		3.0 MB

## Declaration of conformity

**▼ EU-Konformitätserklärung**

	Doc. no.	Version	Language	Download
EU-Konformitätserklärung EU declaration of conformity Declaración UE de conformidad Déclaration UE de conformité Dichiarazione di conformità	2077154	34-01/17	    	0.5 MB

## CAD data

CAD data for this item on TraceParts